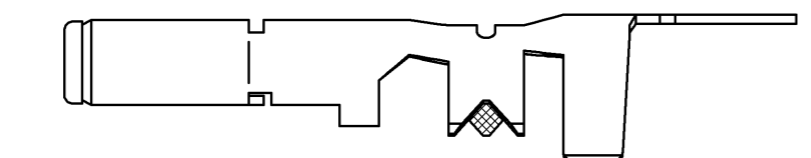
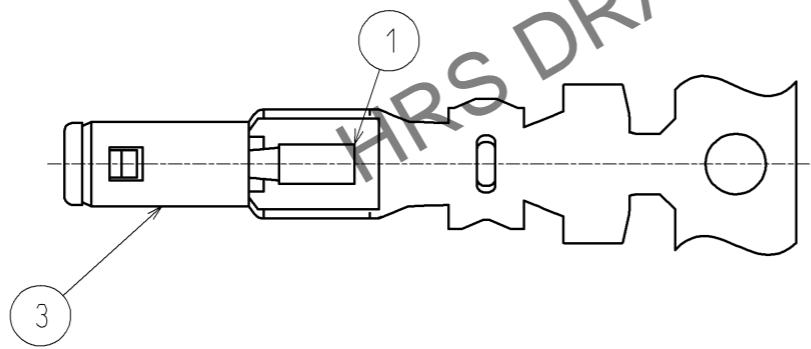
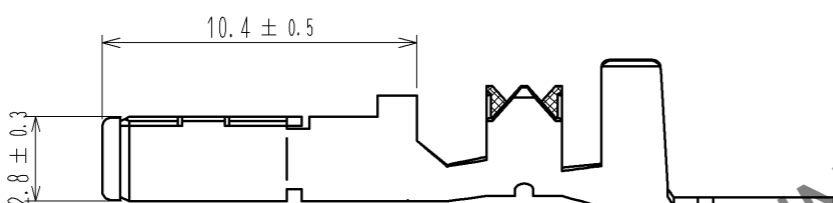
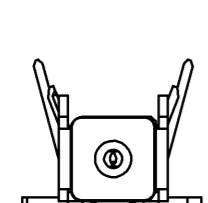
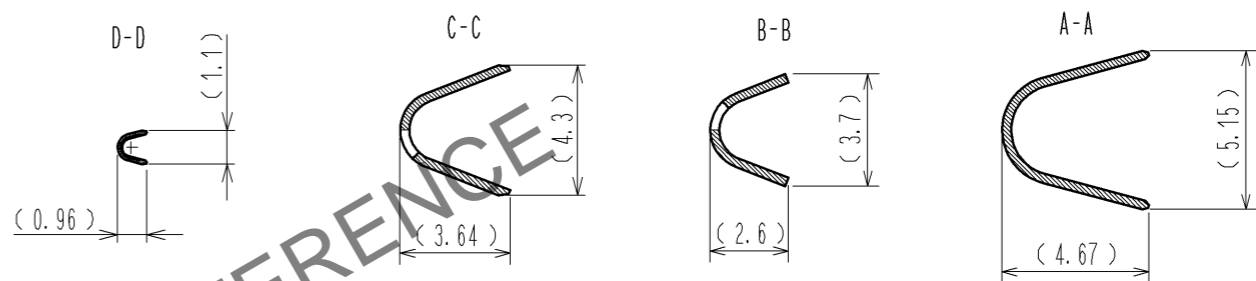
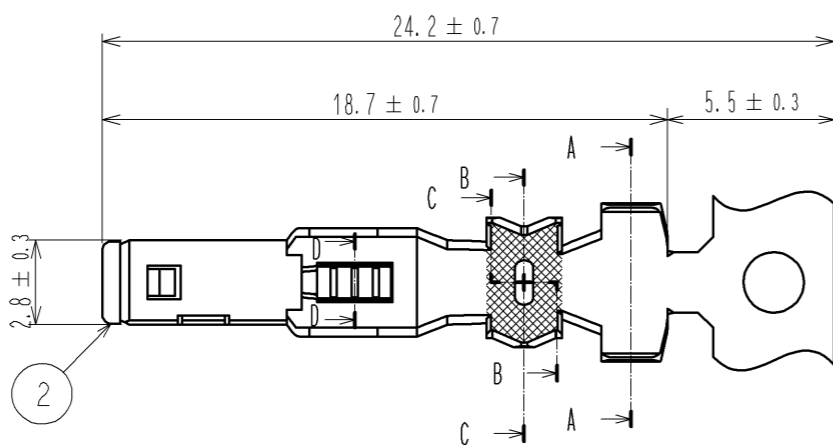


Feb.1.2025 Copyright 2025 HIROSE ELECTRIC CO., LTD. All Rights Reserved.  
 In case of consideration for using Automotive equipment / device which demand high reliability, kindly contact our sales window correspondents.

ELV. RoHS COMPLIANT



NOTES  
 1. PER REEL : 5500 CONTACTS.  
 2. CRIMPING MACHINE NEEDS ADITIONAL PARTS AS CM105/RS-ED.

2	PPS	BLACK			
1	PHOSPHOR BRONZE	TIN PLATED	3	BRASS	TIN PLATED
NO.	MATERIAL	FINISH . REMARKS	NO.	MATERIAL	FINISH . REMARKS
UNITS mm		SCALE 4 : 1	COUNT 	DESCRIPTION OF REVISIONS	DESIGNED
		HIROSE ELECTRIC CO., LTD.	APPROVED : NH. NAKATA	13. 04. 02	DRAWING NO. EDC3-168393-00
			CHECKED : NH. NAKATA	13. 04. 02	PART NO. GT21-30/1.6-2.9SCF
			DESIGNED : MO. OKADA	13. 04. 02	CODE NO. CL771-0012-4-00
			DRAWN : MO. OKADA	13. 04. 02	