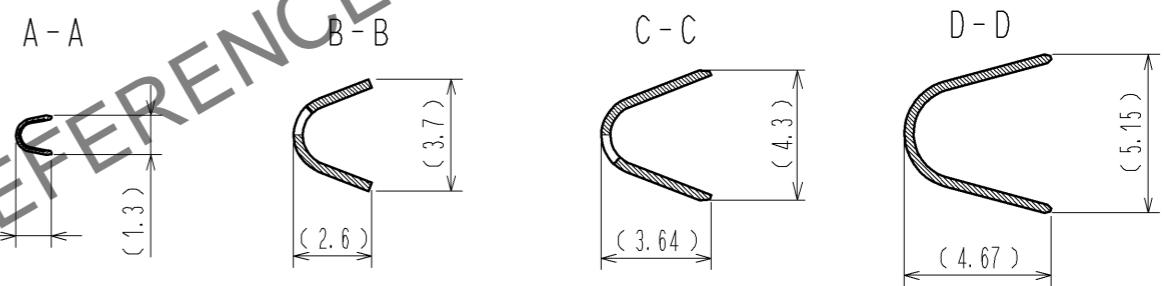
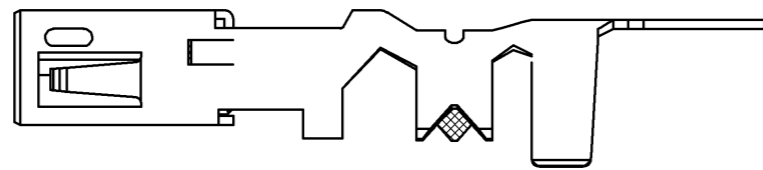
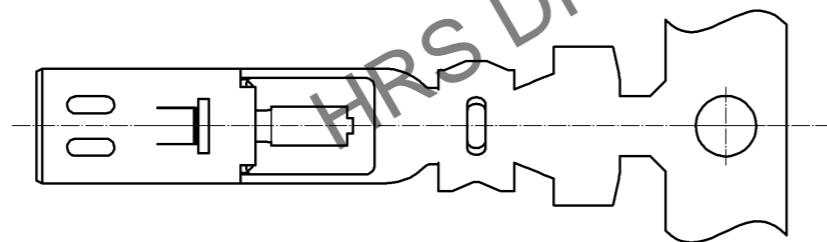
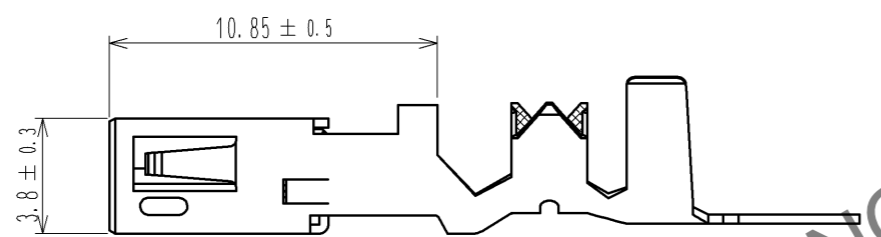
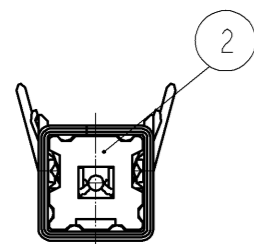
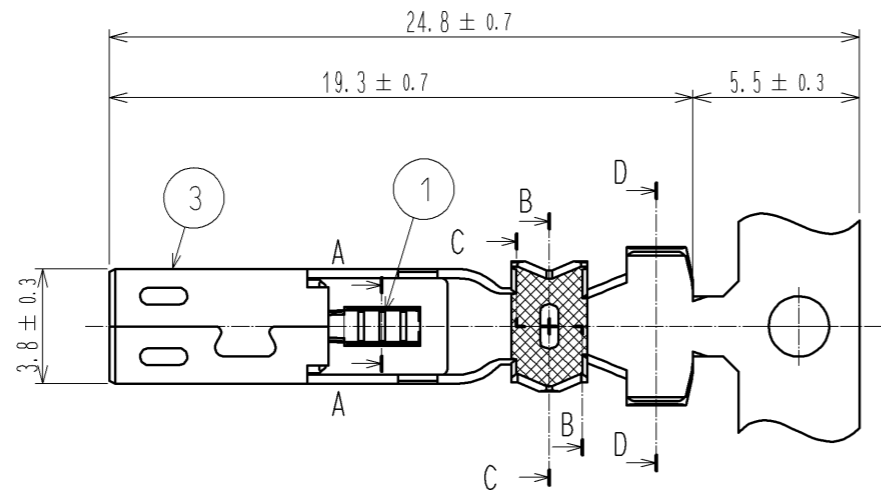


Feb.1.2025 Copyright 2025 HIROSE ELECTRIC CO., LTD. All Rights Reserved.
 In case of consideration for using Automotive equipment / device which demand high reliability, kindly contact our sales window correspondents.

ELV. RoHS COMPLIANT



- NOTES
 1. PER REEL : 5000 CONTACTS.
 2. CRIMPING MACHINE NEEDS ADITIONAL PARTS AS CM105/RS-ED.

2	PBT	UL94HB, BLACK			
1	BRASS	TIN PLATING	3	BRASS	TIN PLATING
NO.	MATERIAL	FINISH . REMARKS	NO.	MATERIAL	FINISH . REMARKS
UNITS mm		SCALE 4 : 1	COUNT 	DESCRIPTION OF REVISIONS	DESIGNED
		HIROSE ELECTRIC CO., LTD.	APPROVED : AR. SHIRAI	12.02.02	DRAWING NO. EDC3-168407-00
			CHECKED : MO. OKADA	12.02.02	PART NO. GT21-2428/1.6-2.9PCF
			DESIGNED : MH. YAMAGUCHI	11.09.30	CODE NO. CL771-0013-7-00
			DRAWN : MH. YAMAGUCHI	11.09.30	