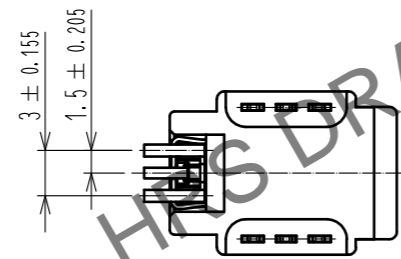
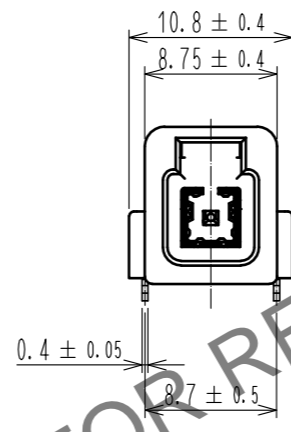
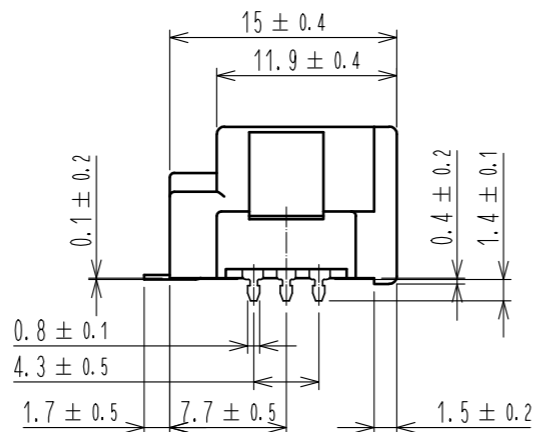
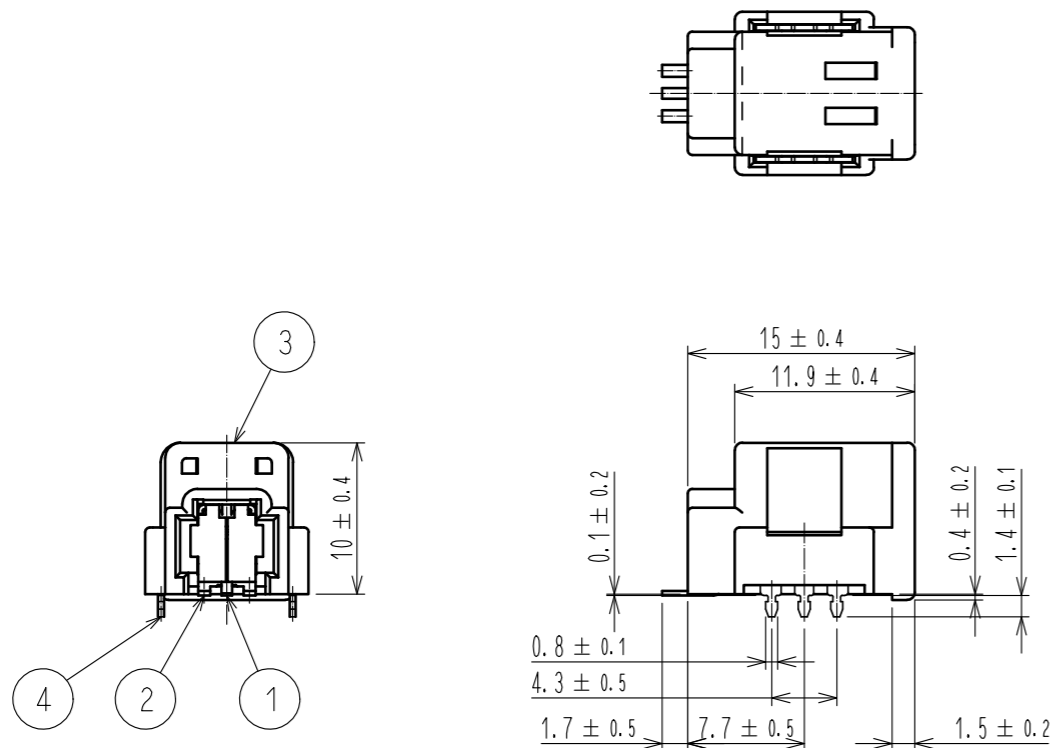
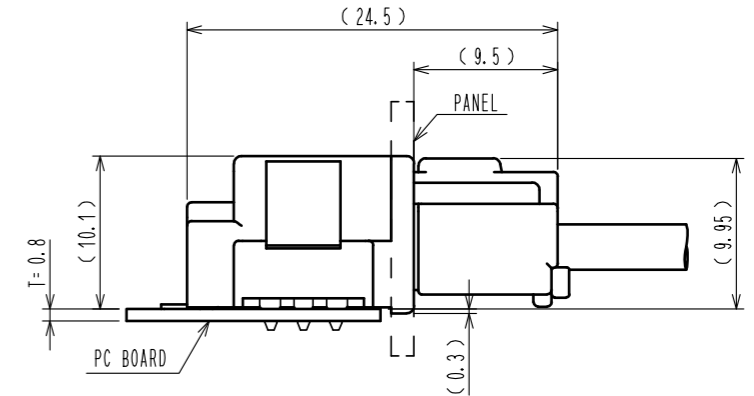
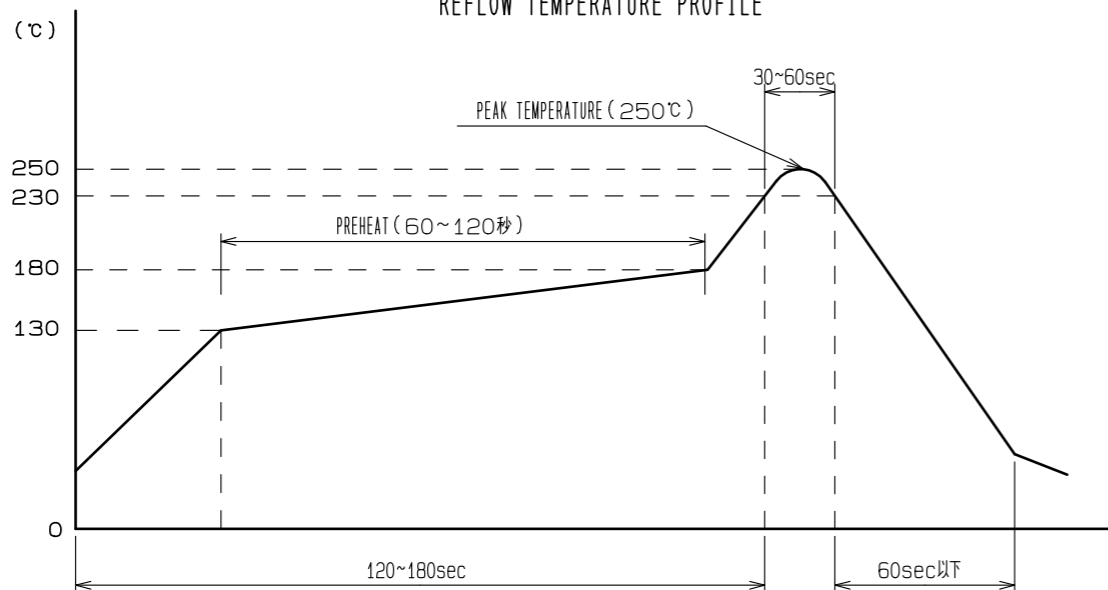


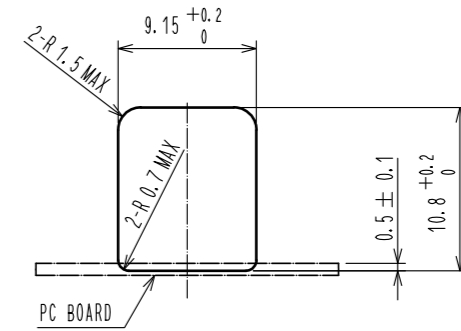
Jan.1.2025 Copyright 2025 HIROSE ELECTRIC CO., LTD. All Rights Reserved.
 In case of consideration for using Automotive equipment / device which demand high reliability, kindly contact our sales window correspondents.



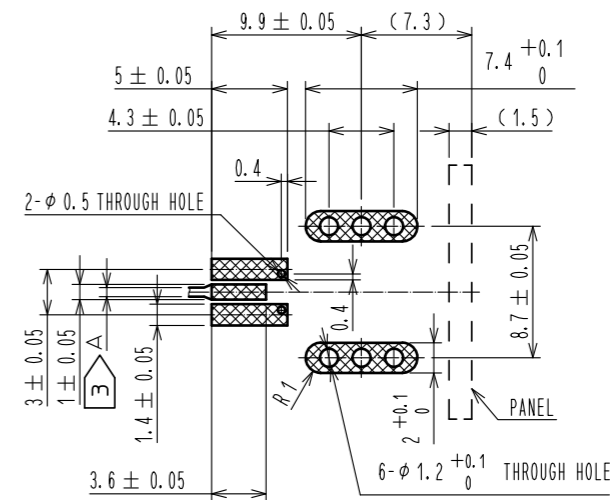
REFLOW TEMPERATURE PROFILE



MATED CONNECTORS



RECOMMENDED PANEL CUTOUT



RECOMMENDED PC BOARD PATTERN

- NOTE 1. LEAD CO-PLANARITY TO BE 0.1mm MAX.
 2. REFLOW TEMPERATURE PROFILE IN Fig 1.
 ③ USE MICRO-STRIPLINE TO BE 50Ω FOR A DIMENSION.

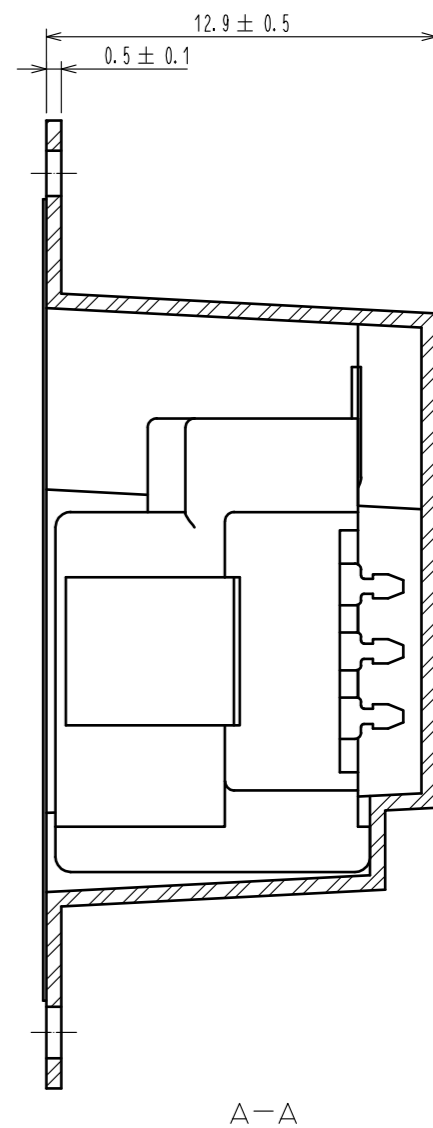
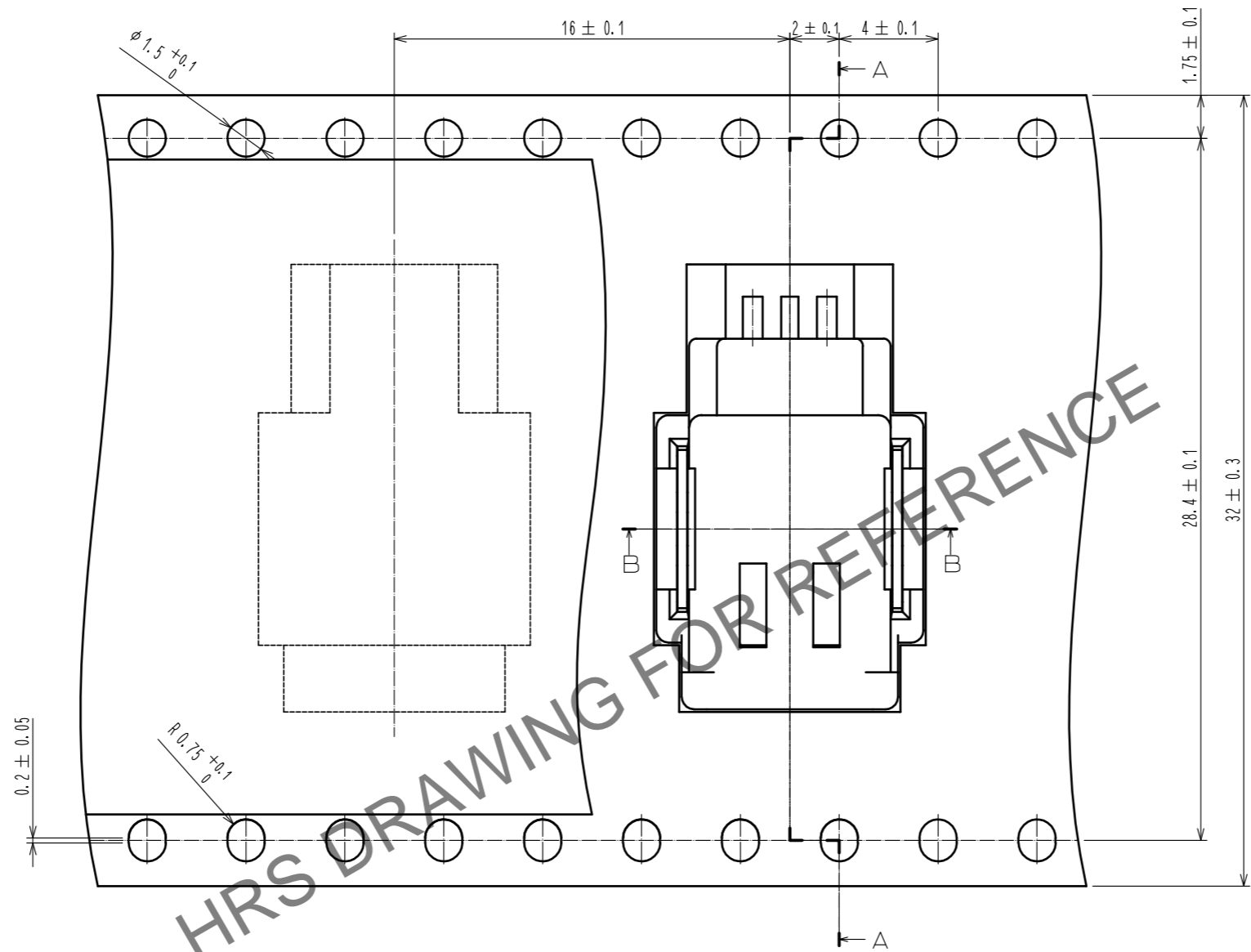
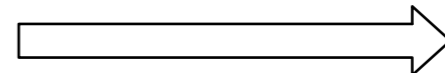
2	COPPER ALLOY	TIN PLATING	4	COPPER ALLOY	TIN PLATING		
1	COPPER ALLOY	TIN PLATING	3	PA	LIGHT GRAY		
NO.	MATERIAL	FINISH . REMARKS	NO.	MATERIAL	FINISH . REMARKS		
UNITS mm	⊕	SCALE 2 : 1	COUNT	DESCRIPTION OF REVISIONS	DESIGNED	CHECKED	DATE
APPROVED : KI. HIROKAWA		20200406	DRAWING NO.		EDC-168420-55-00		
CHECKED : MO. OKADA		20200406	PART NO.		GT21T-1P-H(55)		
DESIGNED : HK. WATANABE		20200406	CODE NO.		CL771-0014-0-55		
DRAWN : YK. MITSUISHI		20200403			①/2		

Jan.1.2025 Copyright 2025 HIROSE ELECTRIC CO., LTD. All Rights Reserved.
 In case of consideration for using Automotive equipment / device which demand high reliability, kindly contact our sales window correspondents.

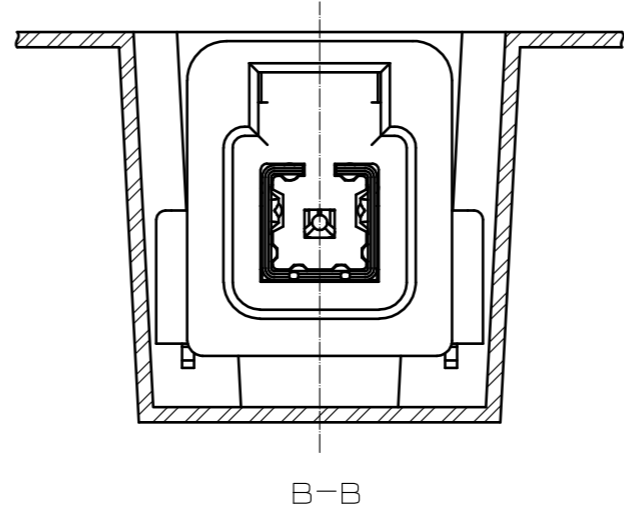
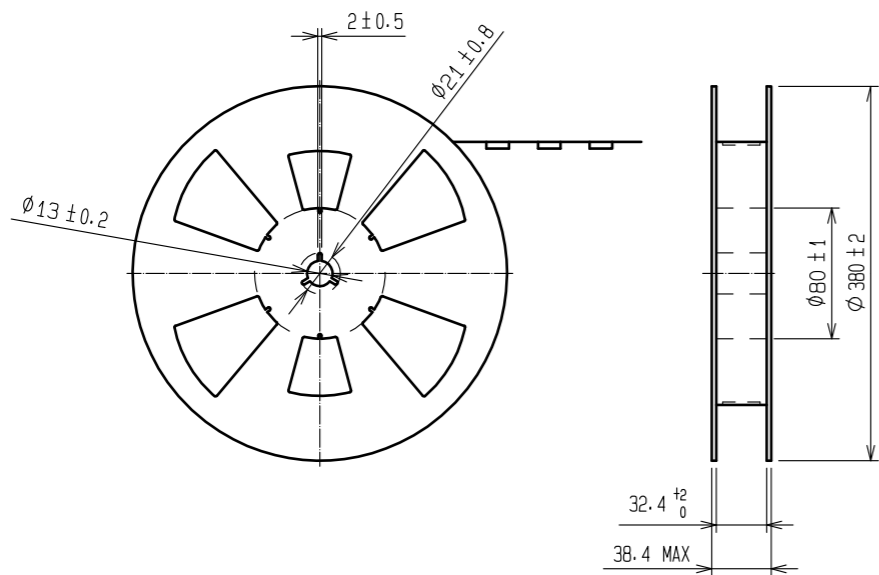
ELV. RoHS COMPLIANT

PACKAGING SPECIFICATION(4:1)

THE DIRECTION OF PULLING OUT



REEL DIMENSIONS(FREE)



NOTE 4. 400 PIECES PER REEL.

HRS	DRAWING NO.	EDC-168420-55-00
	PART NO.	GT21T-1P-H(55)
	CODE NO.	CL771-0014-0-55
		2/2