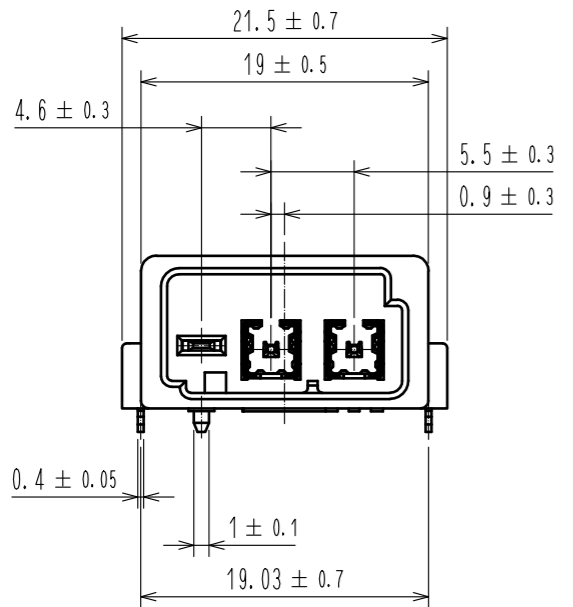
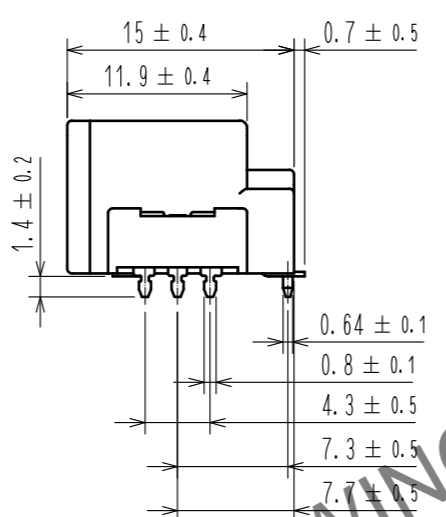


Feb.1.2025 Copyright 2025 HIROSE ELECTRIC CO., LTD. All Rights Reserved.
 In case of consideration for using Automotive equipment / device which demand high reliability, kindly contact our sales window correspondents.

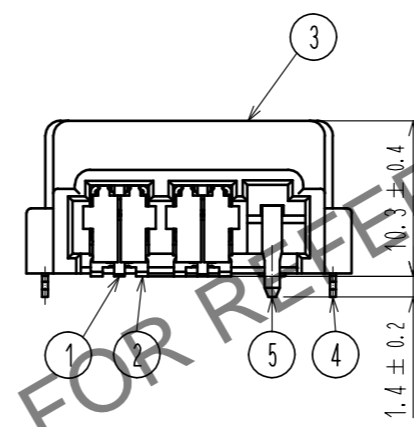
ELV, RoHS COMPLIANT



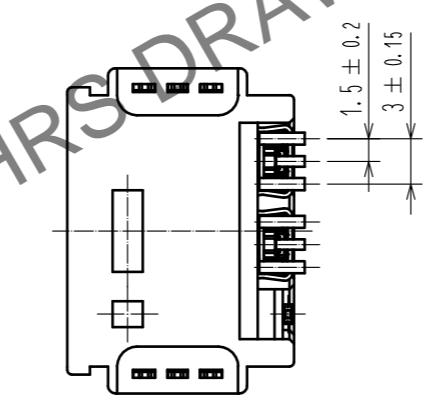
DIMENSION FROM ON-PC-BOARD CONTACT SURFACE TO TOP OF METAL PEG



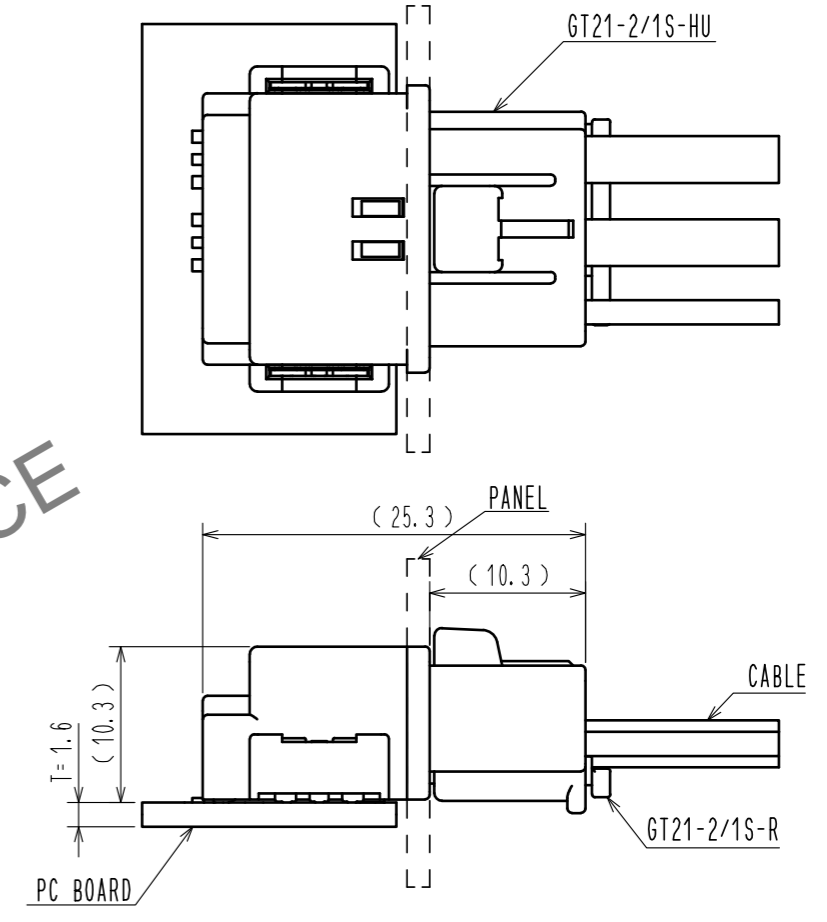
PRODUCT HEIGHT FROM ON-PC-BOARD CONTACT SURFACE



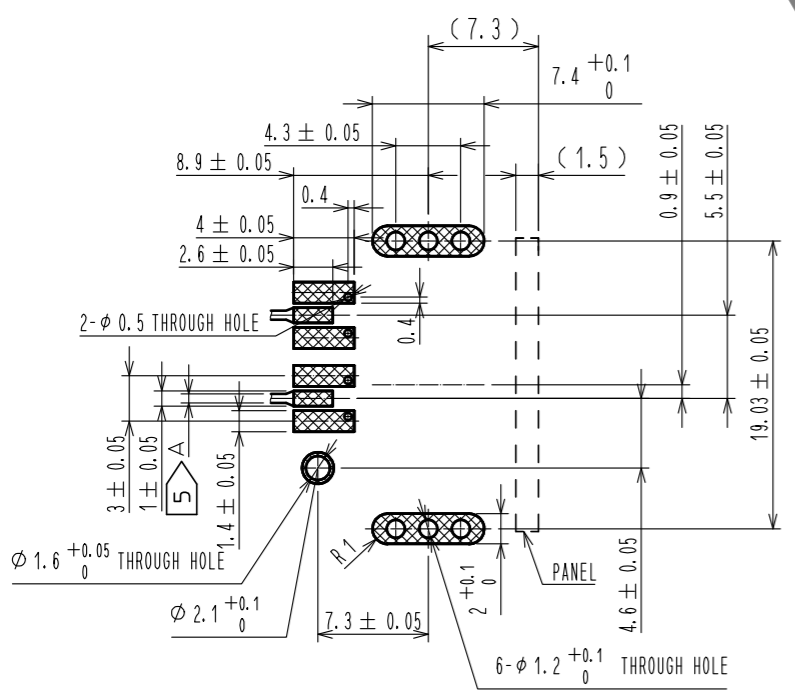
DIMENSION FROM ON-PC-BOARD CONTACT SURFACE TO TOP OF POWER TERMINAL



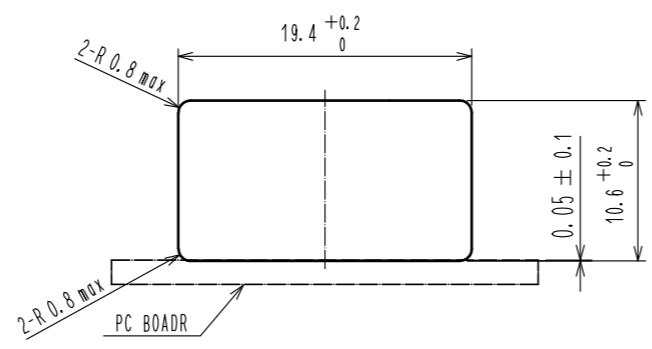
MATED CONNECTORS



RECOMMENDED PC BOARD PATTERN



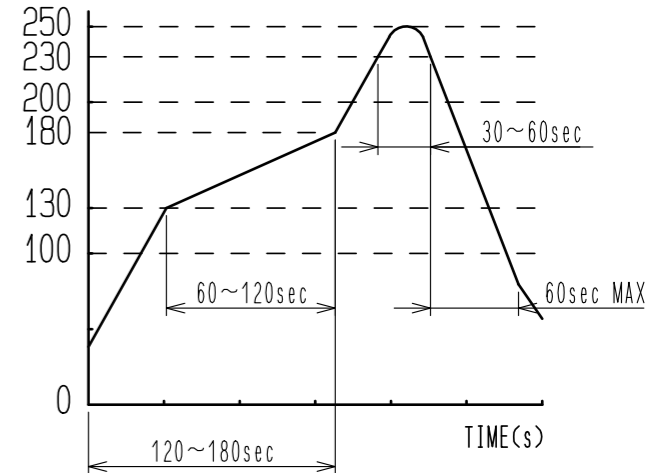
PANEL LAYOUT



NOTES

- 1) RECOMMENDED REFLOW PROFILE (SEE RIGHT GRAPH)
 CYCLE TIME: UP TO 2 CYCLES OF REFLOW SOLDERING ARE POSSIBLE UNDER THE CONDITIONS, PROVIDED THAT THERE IS A RETURN TO NORMAL TEMPERATURE BETWEEN THE FIRST AND SECOND CYCLE.
 PEAK TEMPERATURE: 250°C
 230°C MIN. FOR 20 TO 40 SECONDS.
 PREHEATING AREA 130 TO 180 °C FOR 60 TO 120 SECONDS.
- 2) HAND SOLDERING: 280-300°C, 2S MAX.
- 3) RECOMMENDED THICKNESS OF PCB: 1.6mm
- 4) RECOMMENDED THICKNESS OF METAL STENCIL: 0.15mm
- 5) MICROSTRIP LINE TO BE 50Ω FOR A DIMENSION.

TEMP. (°C)

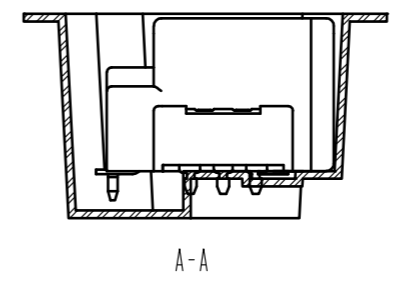
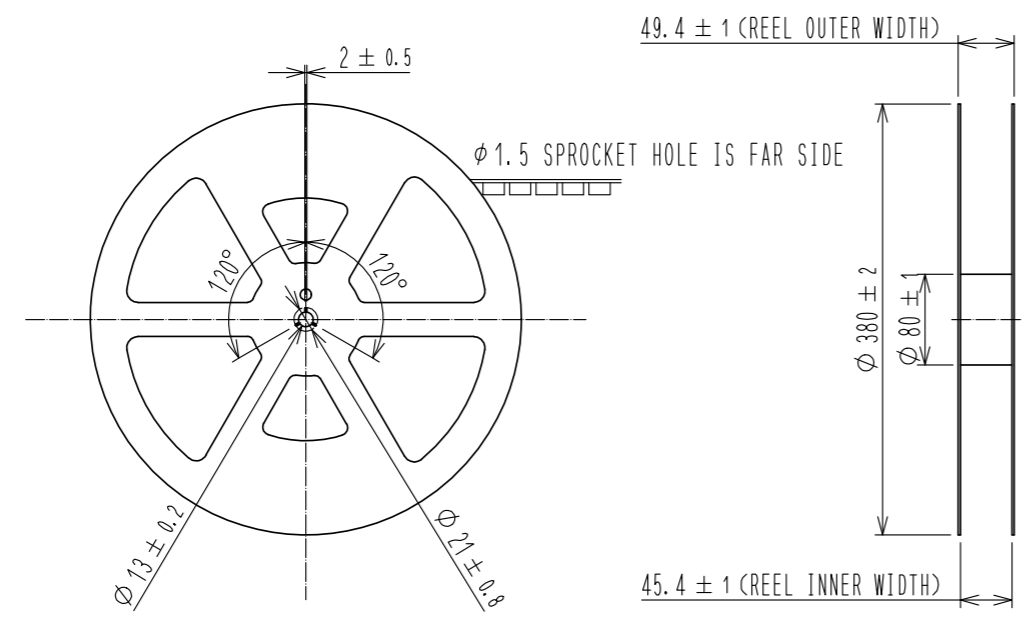
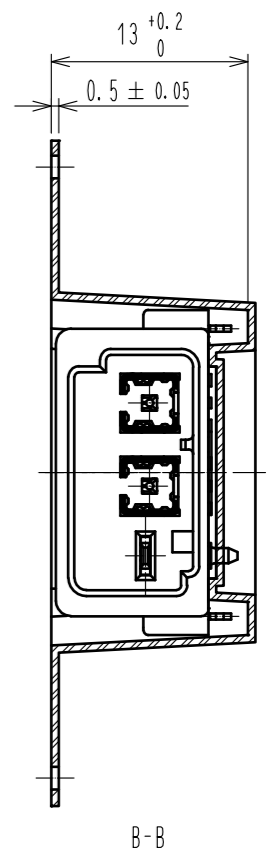
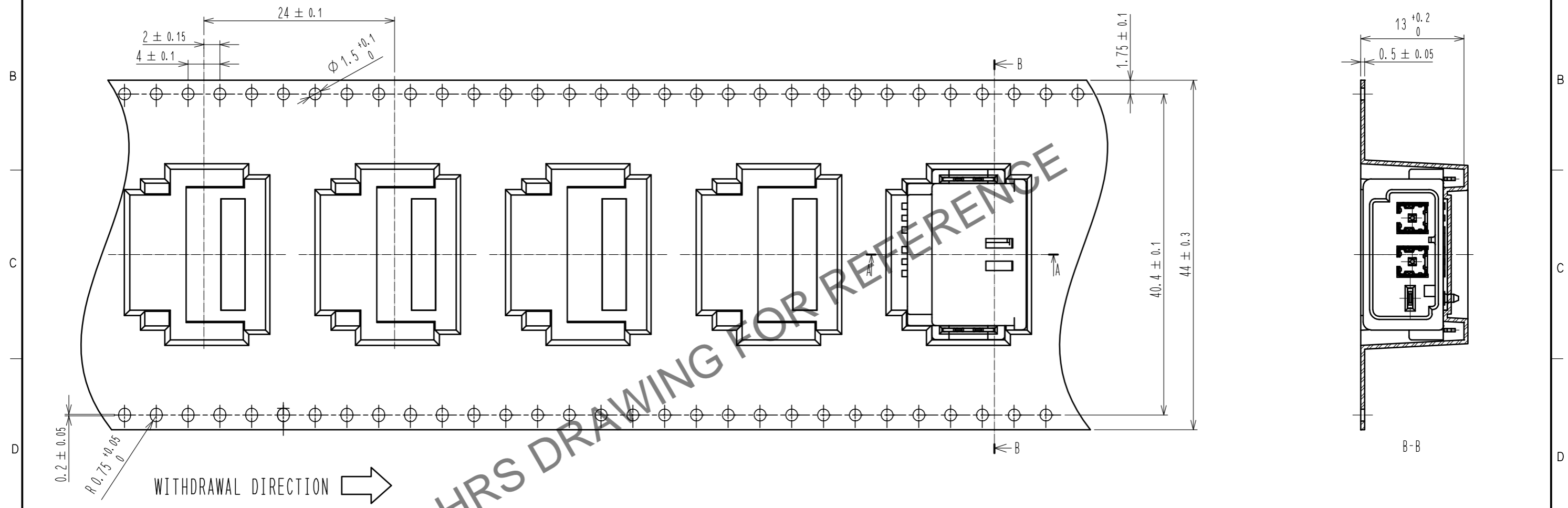


2	COPPER ALLOY	TIN PLATED	5	COPPER ALLOY	TIN PLATED			
1	COPPER ALLOY	TIN PLATED	4	COPPER ALLOY	TIN PLATED			
			3	PA	BLACK			
NO.	MATERIAL	FINISH . REMARKS	NO.	MATERIAL	FINISH . REMARKS			
UNITS	mm	SCALE	2 : 1	COUNT	1			
		DESCRIPTION OF REVISIONS	DESIGNED	TK. SUZUKI	CHECKED	KT. MAKI	DATE	20230831
		APPROVED : KI. HIROKAWA	20170509	DRAWING NO.		EDC-369791-00-00		
		CHECKED : KI. HIROKAWA	20170509	PART NO.		GT21-2/1P-H		
		DESIGNED : MH. SHOUJI	20170508	CODE NO.		CL0771-0086-0-00		
		DRAWN : KYUNGHUN. JANG	20170508					

Feb.1.2025 Copyright 2025 HIROSE ELECTRIC CO., LTD. All Rights Reserved.
 In case of consideration for using Automotive equipment / device which demand high reliability, kindly contact our sales window correspondents.

ELV. RoHS COMPLIANT

EMBOSSED CARRIER TAPE PACKAGING FIGURE (2:1)



NOTES
 6) NUMBER OF PRODUCTS : 250 PCS / REEL

HRS	DRAWING NO.	EDC-369791-00-00	2/2
	PART NO.	GT21-2/1P-H	
	CODE NO.	CL0771-0086-0-00	