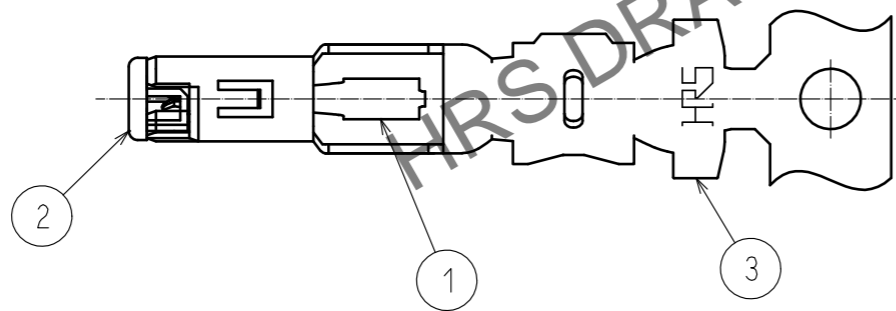
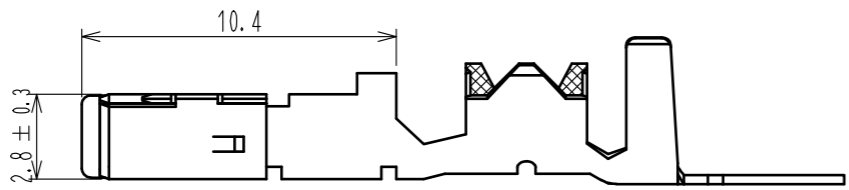
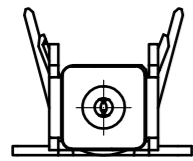
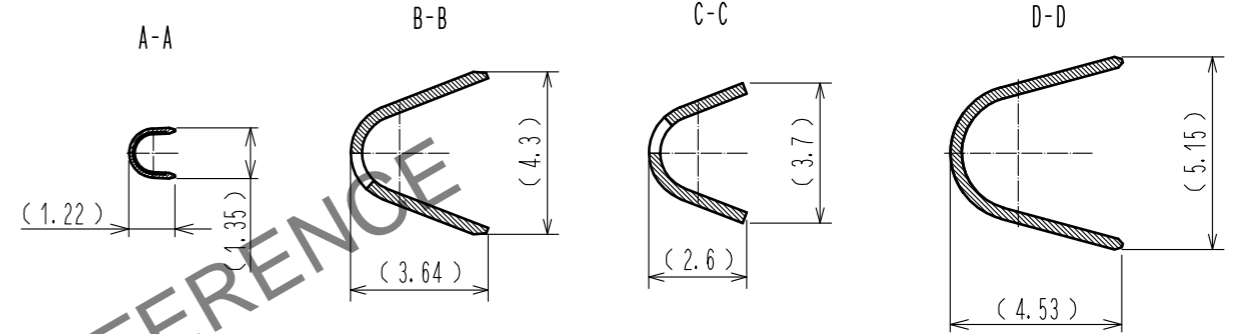
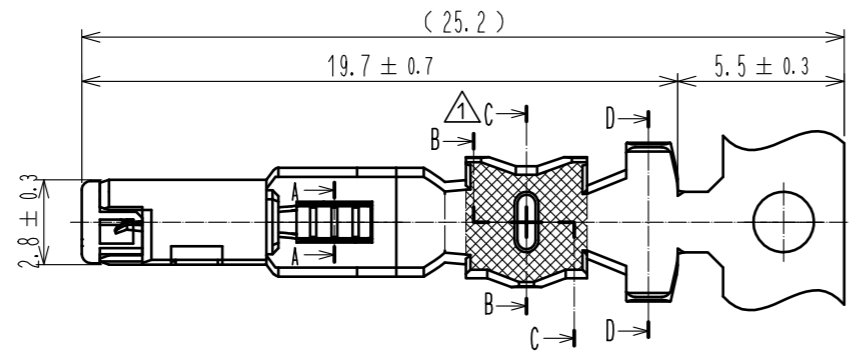


Feb.1.2025 Copyright 2025 HIROSE ELECTRIC CO., LTD. All Rights Reserved.
 本製品を車載用途などの高い信頼性が求められる機器にご使用の場合は、弊社までお問合せ下さい。

ELV. RoHS適合品



注) 1. 2000pin/RL

2	PPS	BLACK			
1	りん青銅	すずめっき	3	黄銅	すずめっき
NO.	MATERIAL	FINISH . REMARKS	NO.	MATERIAL	FINISH . REMARKS
UNITS mm		SCALE 4 : 1	COUNT 1	DESCRIPTION OF REVISIONS DIS-T-00003981	DESIGNED TK. SUZUKI
HRS HIROSE ELECTRIC CO., LTD.		APPROVED : KI. HIROKAWA 20180202	DRAWING NO. ADC-377312-00-00		CHECKED MO. OKADA
		CHECKED : KI. HIROKAWA 20180202	PART NO. GT21B-2426/1.6-2.9SCF		DATE 20181030
		DESIGNED : TK. SUZUKI 20180202	CODE NO. CL771-0087-0-00		
		DRAWN : TK. SUZUKI 20180202			