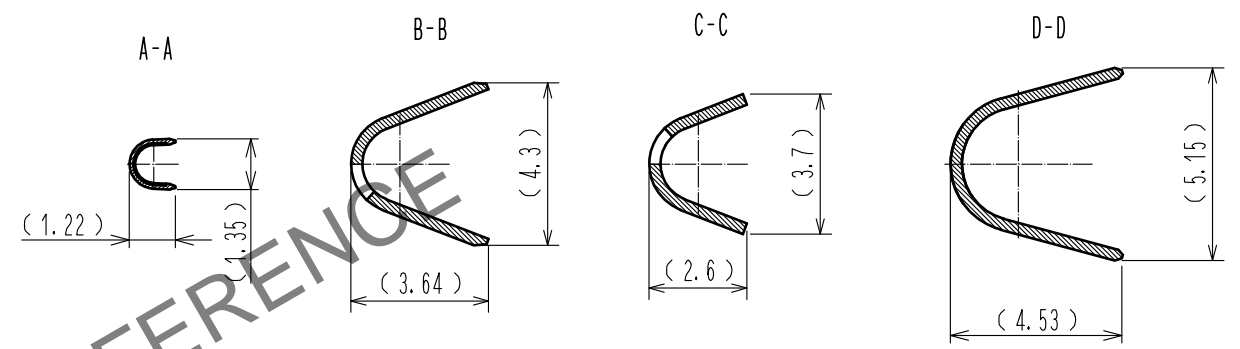
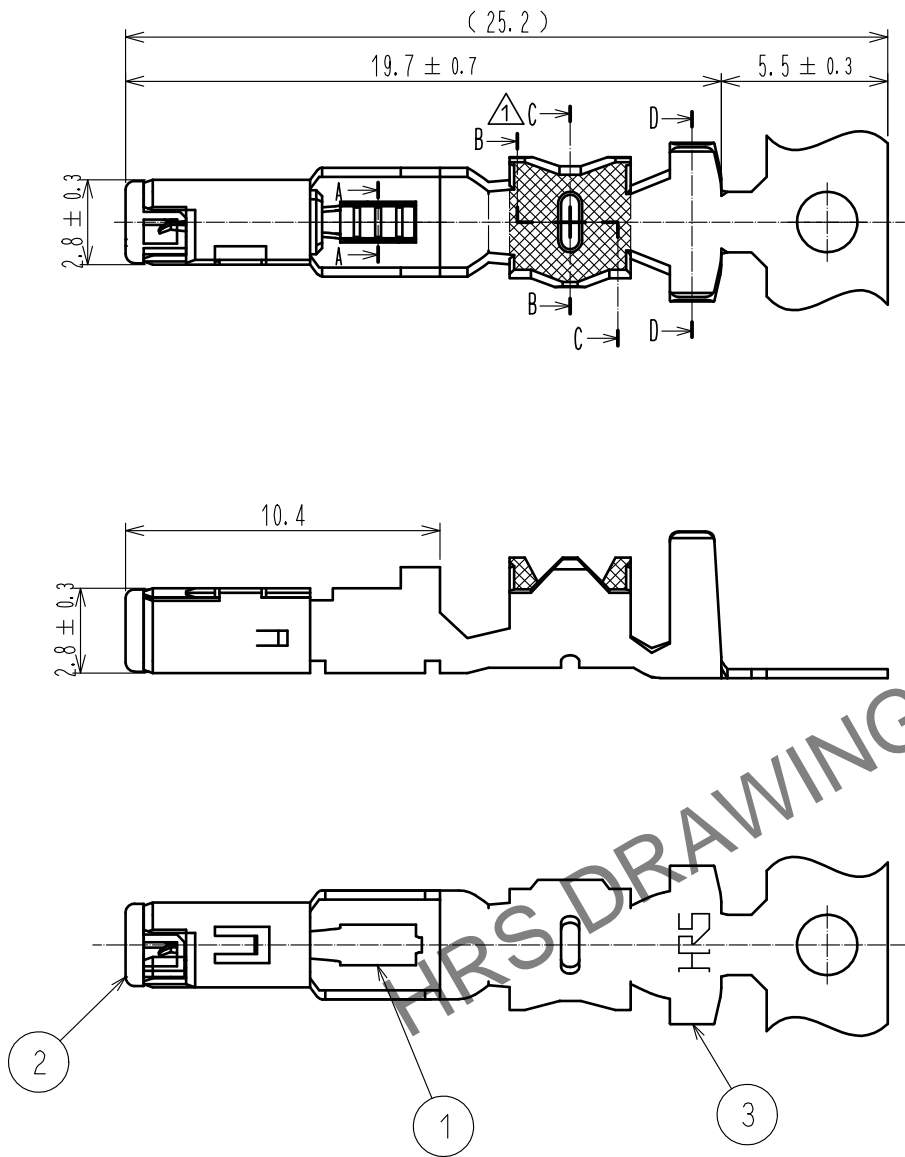


Feb.1.2025 Copyright 2025 HIROSE ELECTRIC CO., LTD. All Rights Reserved.  
In case of consideration for using Automotive equipment / device which demand high reliability, kindly contact our sales window correspondents.

ELV. RoHS COMPLIANT



NOTES) 1. 2000pin/RL

2	PPS	BLACK			
1	PHOSPHOR BRONZE	TIN PLATED	3	BRASS	TIN PLATING
NO.	MATERIAL	FINISH . REMARKS	NO.	MATERIAL	FINISH . REMARKS
UNITS mm		SCALE 4 : 1	COUNT 1	DESCRIPTION OF REVISIONS DIS-T-00003981	DESIGNED TK. SUZUKI
		APPROVED : KI. HIROKAWA	20180202	DRAWING NO.	EDC-377312-00-00
HIROSE ELECTRIC CO., LTD.		CHECKED : KI. HIROKAWA	20180202	PART NO.	GT21B-2426/1.6-2.9SCF
		DESIGNED : TK. SUZUKI	20180202	CODE NO.	CL771-0087-0-00
		DRAWN : TK. SUZUKI	20180202		1/1