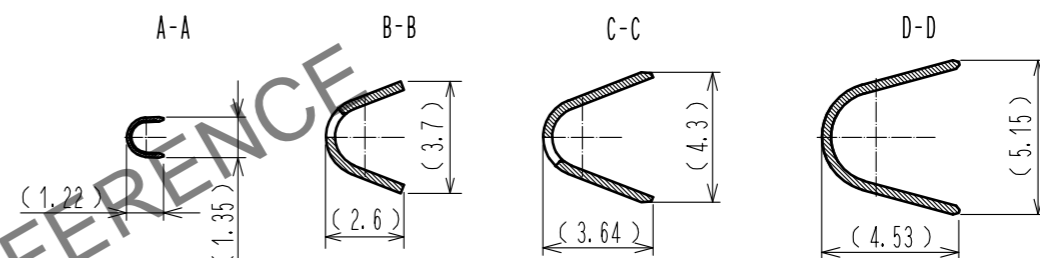
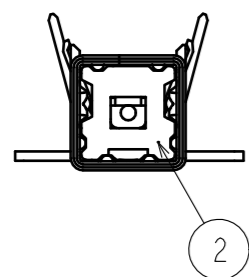
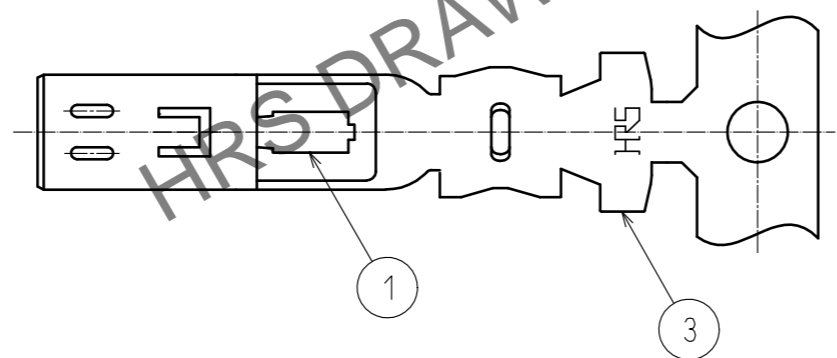
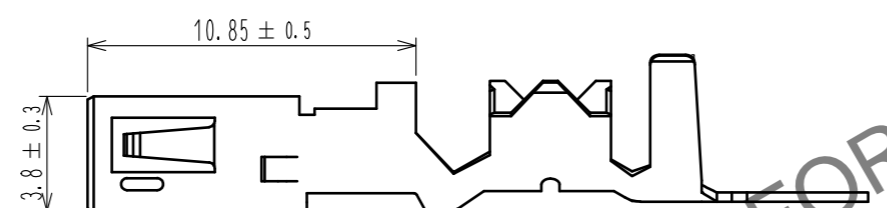
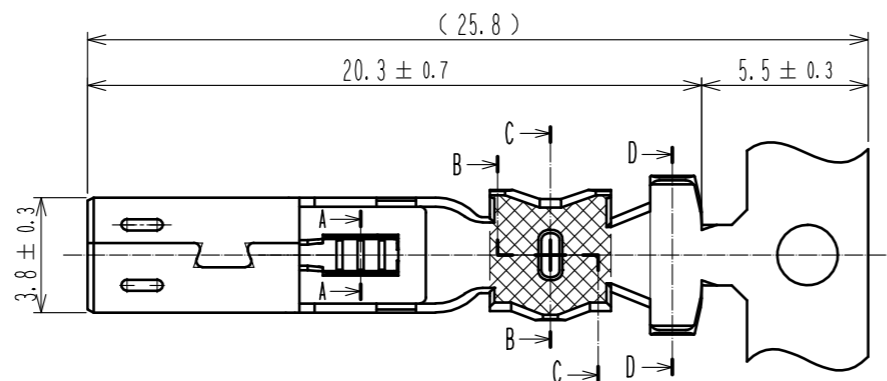


Feb.1.2025 Copyright 2025 HIROSE ELECTRIC CO., LTD. All Rights Reserved.
 In case of consideration for using Automotive equipment / device which demand high reliability, kindly contact our sales window correspondents.

ELV. RoHS COMPLIANT



NOTES) 1. 2000pin/RL

2	PBT	BLACK					
1	BRASS	TIN PLATING	3	BRASS	TIN PLATING		
NO.	MATERIAL	FINISH . REMARKS	NO.	MATERIAL	FINISH . REMARKS		
UNITS mm		SCALE 4 : 1	COUNT 	DESCRIPTION OF REVISIONS	DESIGNED	CHECKED	DATE
HRS HIROSE ELECTRIC CO., LTD.		APPROVED : KI. HIROKAWA	18.02.02	DRAWING NO.	EDC-377313-00-00		
		CHECKED : KI. HIROKAWA	18.02.02	PART NO.	GT21B-2426/1.6-2.9PCF		
		DESIGNED : TK. SUZUKI	18.02.02	CODE NO.	CL771-0088-0-00		
		DRAWN : TK. SUZUKI	18.02.02				