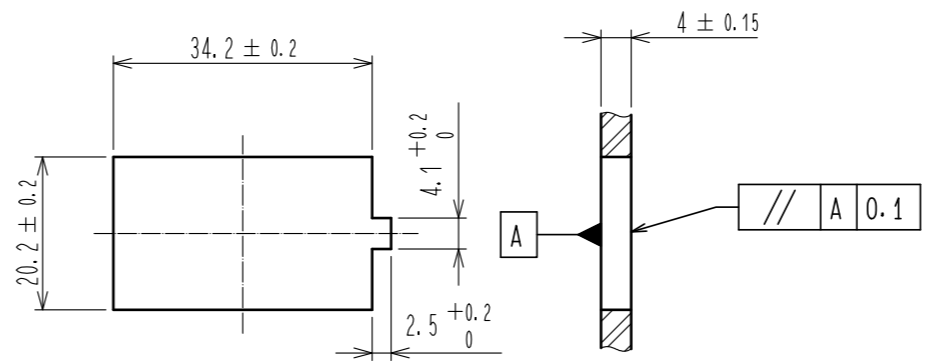
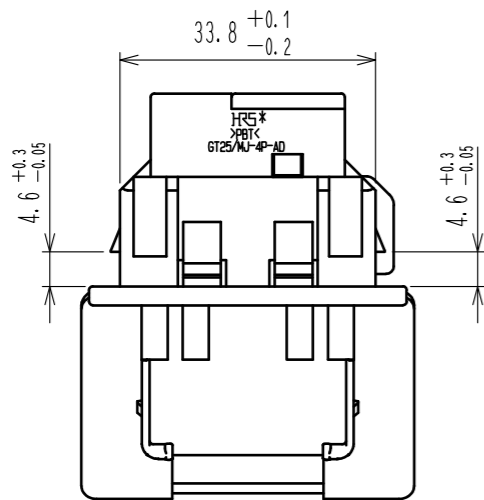
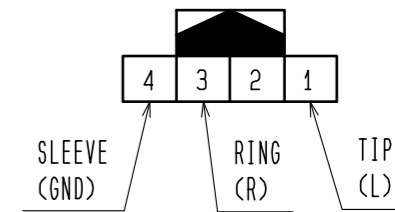


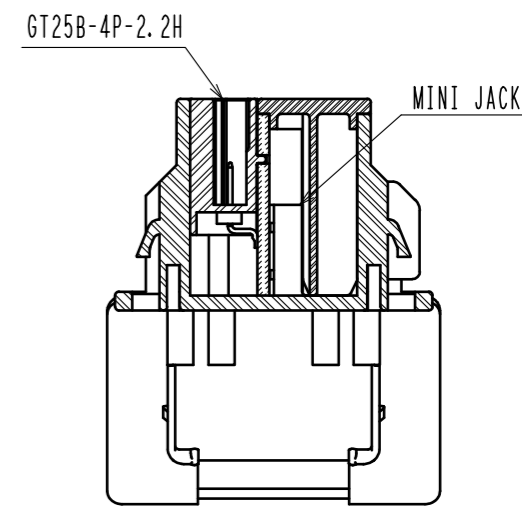
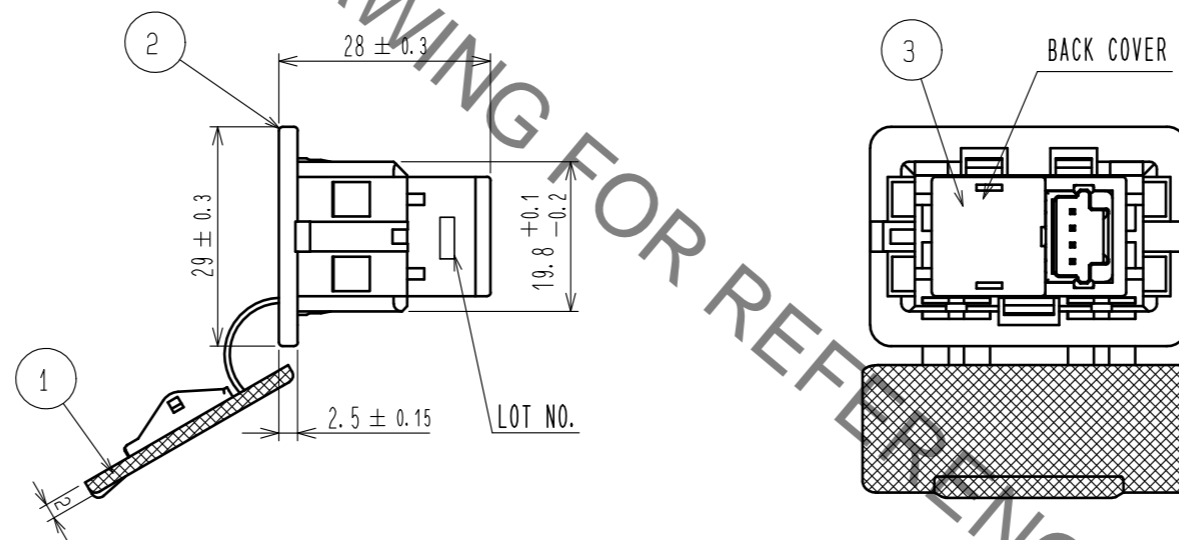
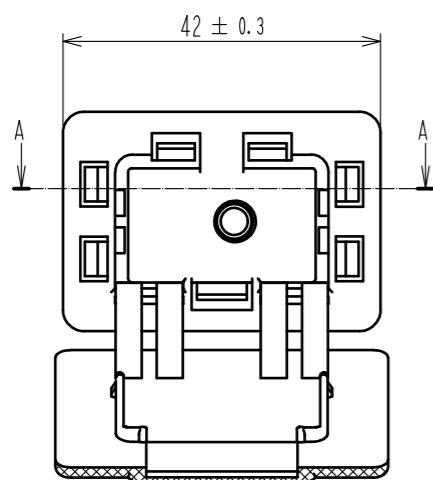
ELV, RoHS COMPLIANT



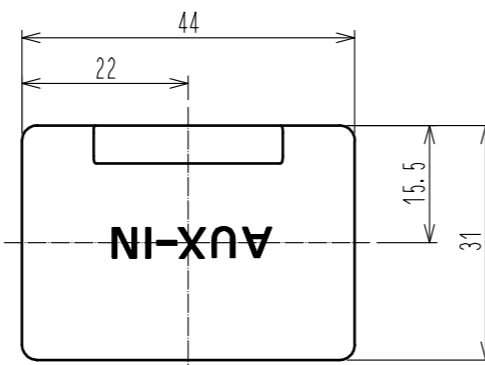
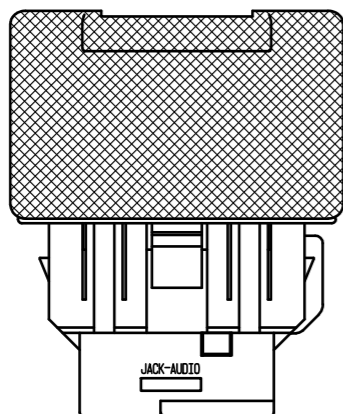
RECOMMENDED PANNEL SHAPE MATERIAL:ABS, PPC OR IRON



MINI JACK-GT25B(TH04MW-X)
PIN ASSIGN



A-A



COVER DETAIL

2	PBT	BLACK		3	PBT	NATURAL(CREAM)				
1	PBT	BLACK								
NO.	MATERIAL	FINISH	REMARKS	NO.	MATERIAL	FINISH	REMARKS			
UNITS	mm	⊙	▽	SCALE	1 : 1	COUNT	DESCRIPTION OF REVISIONS	DESIGNED	CHECKED	DATE
HRS		HIROSE ELECTRIC CO., LTD.		APPROVED	: NH. NAKATA	15.09.08	DRAWING NO.	EDC-166889-44-02		
				CHECKED	: HS. OZAWA	15.09.08	PART NO.	GT25/MJ-4P-AD(44)		
				DESIGNED	: AH. EDASHIGE	15.09.08	CODE NO.	CL775-0031-4-44		
				DRAWN	: AH. EDASHIGE	15.09.08		1/1		

Jul.1.2022 Copyright 2022 HIROSE ELECTRIC CO., LTD. All Rights Reserved. In case of consideration for using Automotive equipment / device which demand high reliability, kindly contact our sales window correspondents.