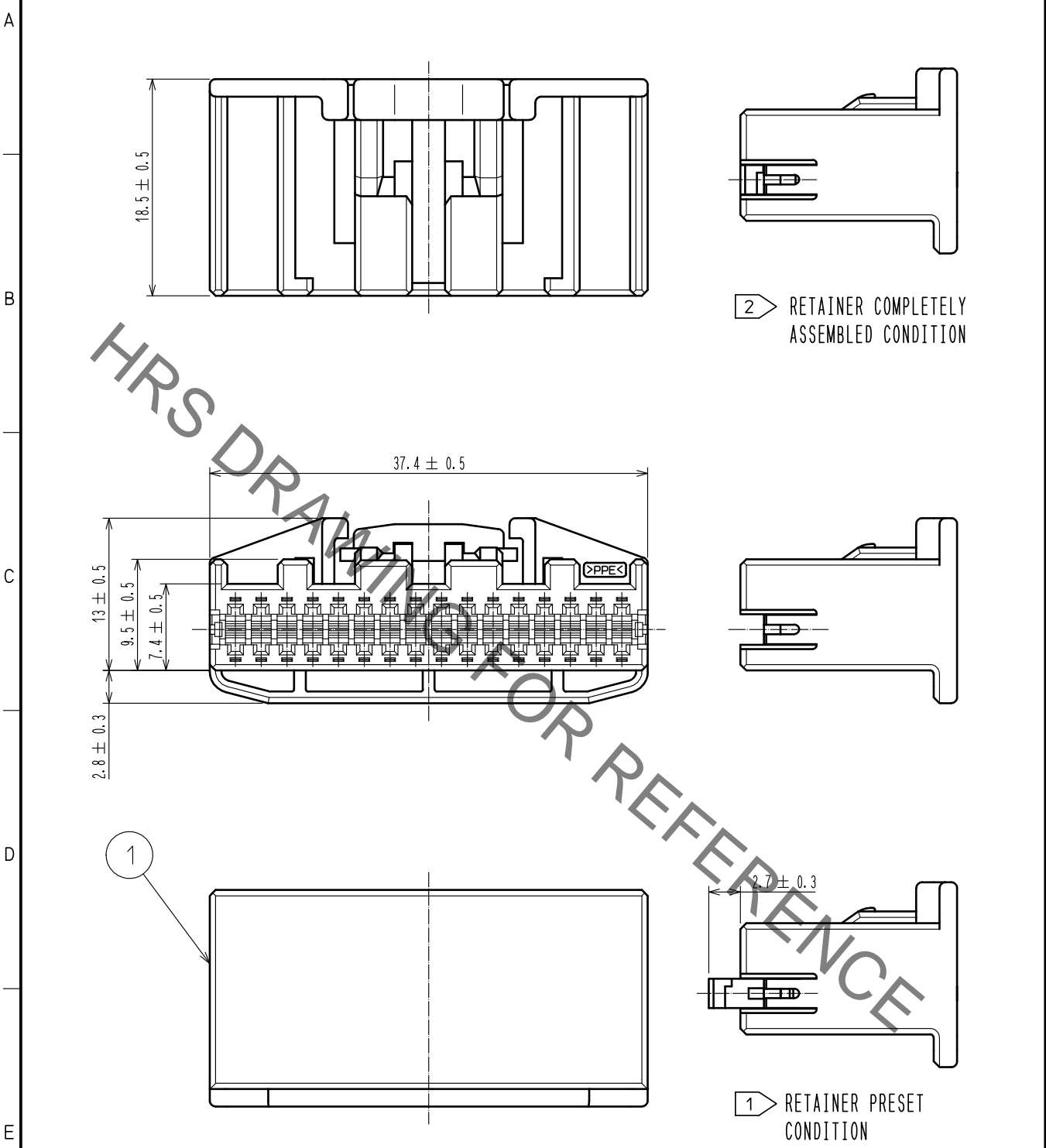


Jan.1.2022 Copyright 2022 HIROSE ELECTRIC CO., LTD. All Rights Reserved.
In case of consideration for using Automotive equipment / device which demand high reliability, kindly contact our sales window correspondents.

ELV. RoHS COMPLIANT



NOTE. 1 Use this product with retainer GT25-32DS-R preset.
Retainer GT25-32DS-R product No. : CL0775-0043-3
NOTE. 2 RETAINER TO BE COMPLETELY ASSEMBLED INTO POSITION AFTER CONTACT IS INSERTED.

1	PPE	BLACK							
NO.	MATERIAL	FINISH	REMARKS	NO.	MATERIAL	FINISH	REMARKS		
UNITS mm		SCALE 2 : 1	COUNT 	DESCRIPTION OF REVISIONS			DESIGNED	CHECKED	DATE
HIROSE ELECTRIC CO., LTD.		APPROVED : AR. SHIRAI	15.02.17	DRAWING NO.		EDC-169051-00-00			
		CHECKED : MO. OKADA	15.02.17	PART NO.		GT25-32DS-HU			
		DESIGNED : TK. SHISHIKURA	15.02.17	CODE NO.		CL775-0042-0-00			
		DRAWN : TK. SHISHIKURA	15.02.17			1/1			