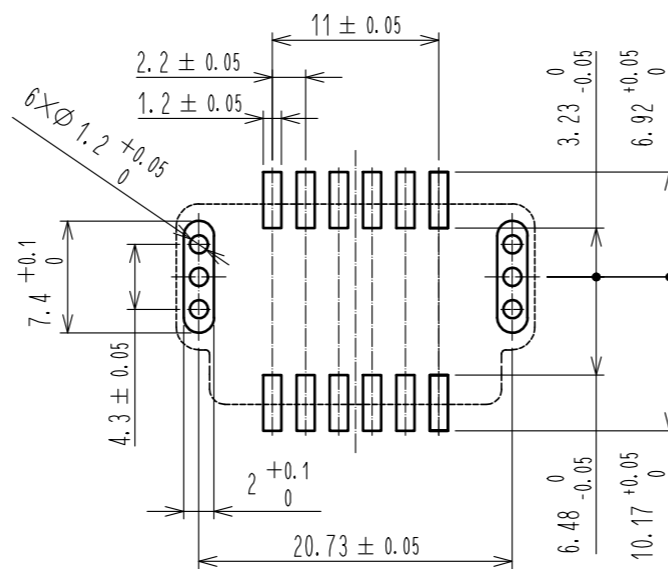
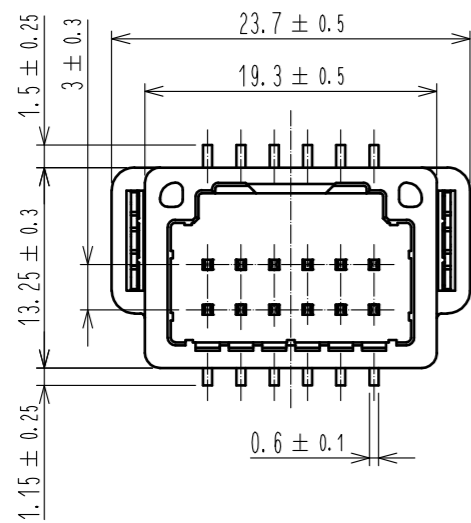
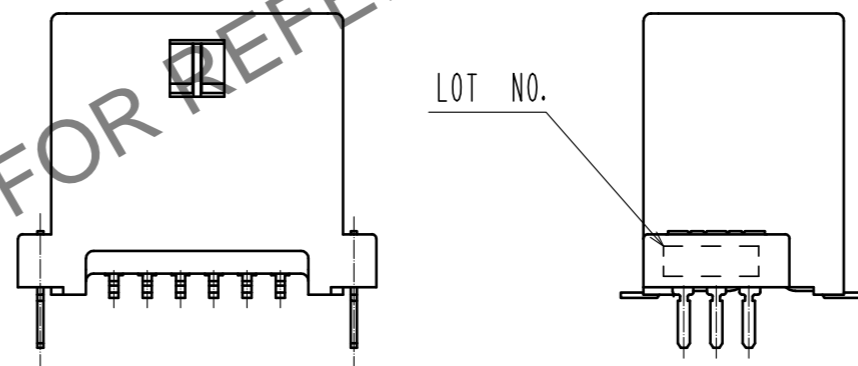
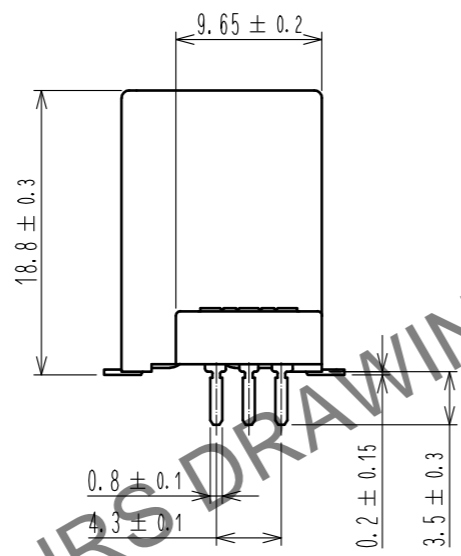
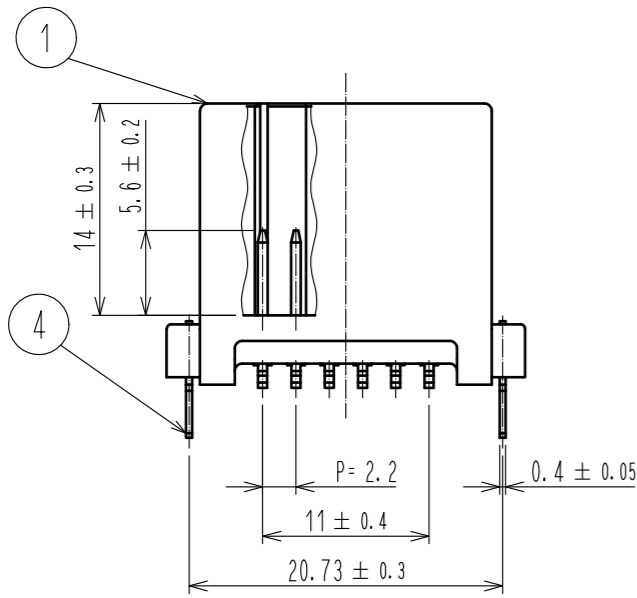
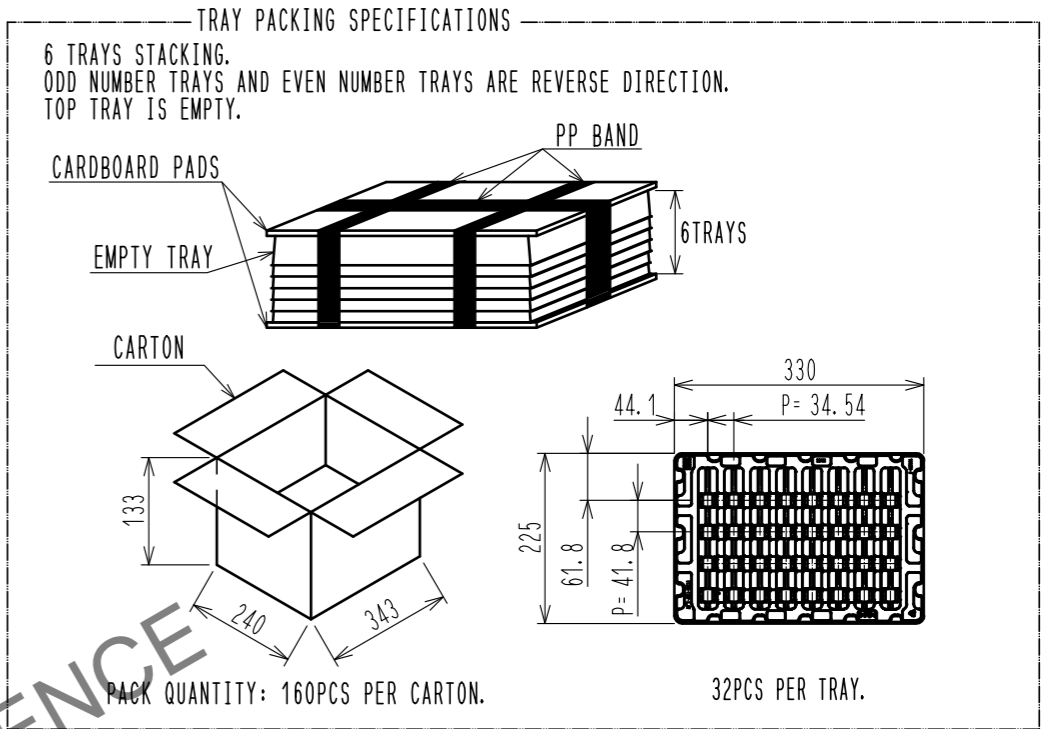


Mar.1.2024 Copyright 2024 HIROSE ELECTRIC CO., LTD. All Rights Reserved.  
In case of consideration for using Automotive equipment / device which demand high reliability, kindly contact our sales window correspondents.

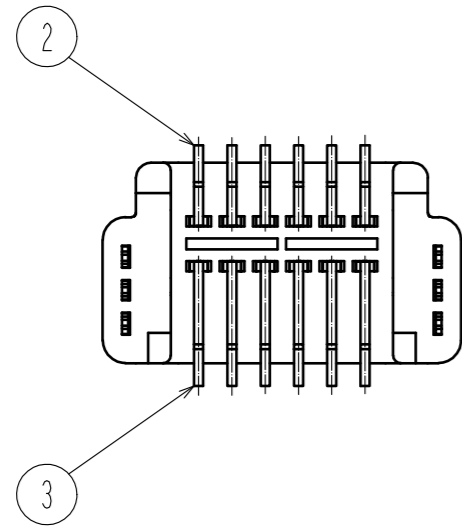
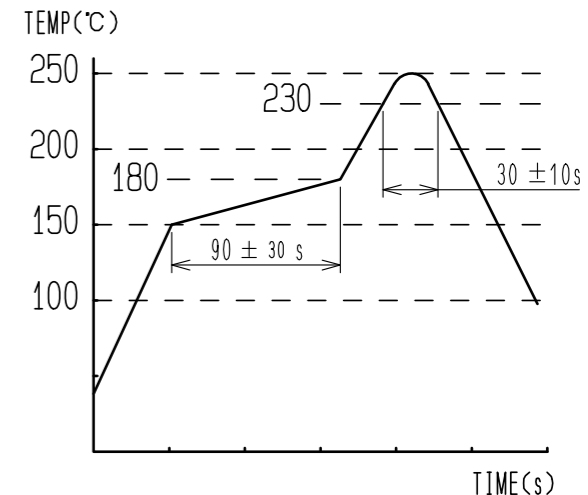
ELV, RoHS COMPLIANT



RECOMMENDED PCB PATTERN



- NOTE 1. RECOMMENDED TEMPERATURE PROFILE FOR REFLOW (REFER TO RIGHT FIG.) USED REFLOW SYSTEM
- : IR IN THE AIR OR NITROGEN
  - NO. OF CYCLES : 2 MAX
  - PEAK : 250°C
  - OVER 230°C : 20~40s
  - PREHEAT : 150~180°C
  - 60~120s
2. TEMPERATURE FOR SOLDERING IRON : 280~300°C WITHIN 2s
3. CO-PLANARITY SHALL BE 0.1mm MAX.
4. RECOMMENDED PCB THICKNESS IS 1.6mm.
5. RECOMMENDED SOLDER THICKNESS IS 0.15mm.



2	BRASS	TIN PLATING T=0.64	4	BRASS	TIN PLATING T=0.4		
1	PPS	BLACK	3	BRASS	TIN PLATING T=0.64		
NO.	MATERIAL	FINISH . REMARKS	NO.	MATERIAL	FINISH . REMARKS		
UNITS mm		SCALE 2 : 1	COUNT 	DESCRIPTION OF REVISIONS	DESIGNED	CHECKED	DATE
<b>HRS</b> HIROSE ELECTRIC CO., LTD.		APPROVED : HK. UMEHARA	20200928	DRAWING NO.	EDC-169257-60-00		
		CHECKED : HH. TSUKUMO	20200927	PART NO.	GT25H-12DP-2.2V(60)		
		DESIGNED : DONGCHAN KIM	20200924	CODE NO.	CL775-0050-9-60		
		DRAWN : AN. SAIKI	20200917		1/1		