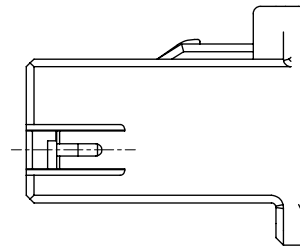
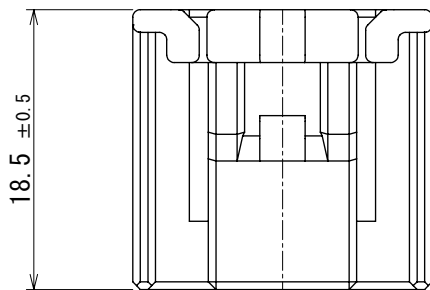
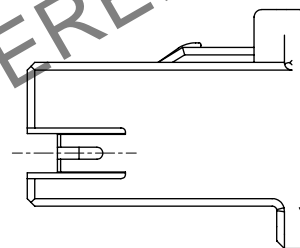
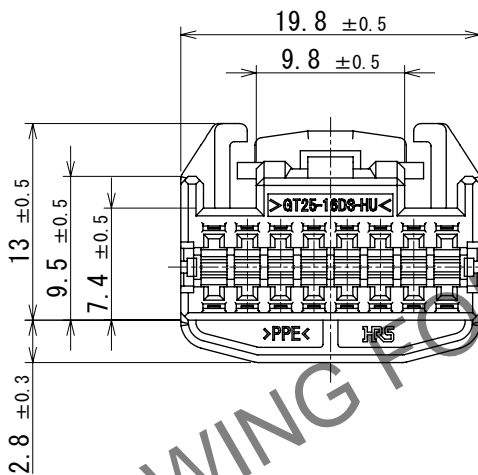


Mar.1.2024 Copyright 2024 HIROSE ELECTRIC CO., LTD. All Rights Reserved.  
In case of consideration for using Automotive equipment / device which demand high reliability, kindly contact our sales window correspondents.

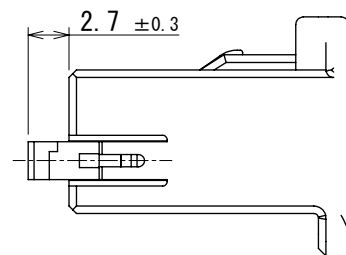
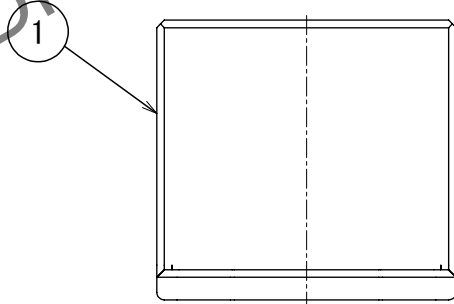
ELV, RoHS COMPLIANT



RETAINER COMPLETELY ASSEMBLED CONDITION



RETAINER PRESET CONDITION



NOTE. 1 USE THIS PRODUCT WITH RETAINER GT25-16DS-R PRESET.  
RETAINER GT25-16DS-R PRODUCT NO. : CL0775-0067-1

NOTE. 2 RETAINER TO BE COMPLETELY ASSEMBLED AS SHOWN FIGURE AFTER CONTACT IS INSERTED.

NOTE. 3 PLEASE REFER TO INSTRUCTION SHEET ETAD-T0329-00 BEFORE USE.

1	PPE	BLACK						
NO.	MATERIAL	FINISH	REMARKS	NO.	MATERIAL	FINISH	REMARKS	
UNITS		SCALE	COUNT	DESCRIPTION OF REVISIONS		DESIGNED	CHECKED	DATE
mm				2:1	2	DIS-T-00019553	AN. SAIKI	TY. MOGI
	HIROSE ELECTRIC CO., LTD.	APPROVED : HS. OZAWA	2016. 07. 23	DRAWING NO.		EDC-169601-00-00		
		CHECKED : HS. OZAWA	2016. 07. 23	PART NO.		GT25-16DS-HU		
		DESIGNED : YT. HAYAKAWA	2016. 07. 22	CODE NO.		CL0775-0066-9-00		
		DRAWN : YT. HAYAKAWA	2016. 07. 22					