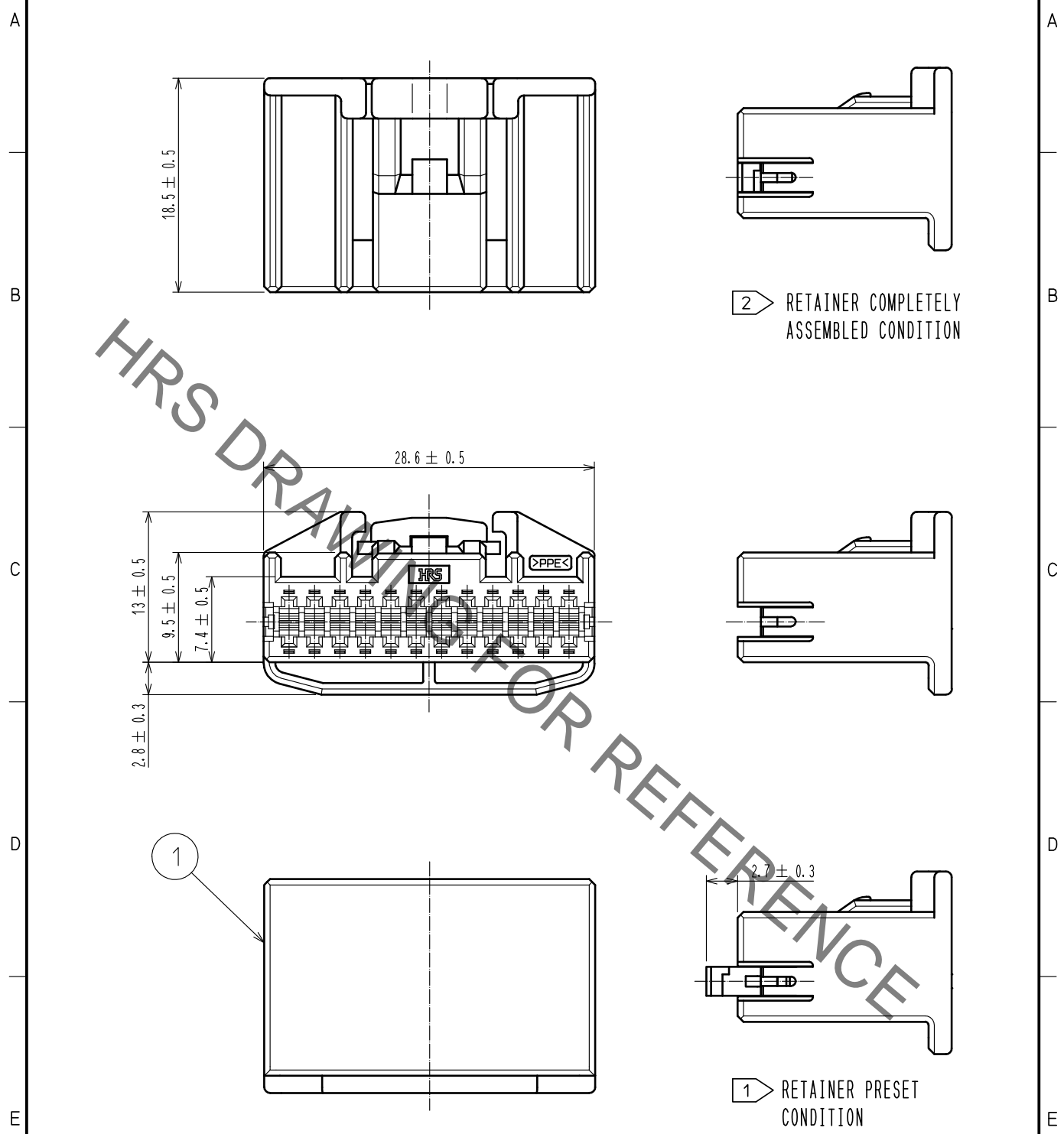


Jan.1.2022 Copyright 2022 HIROSE ELECTRIC CO., LTD. All Rights Reserved.
 In case of consideration for using Automotive equipment / device which demand high reliability, kindly contact our sales window correspondents.

ELV. RoHS COMPLIANT



2 RETAINER COMPLETELY ASSEMBLED CONDITION

1 RETAINER PRESET CONDITION

NOTE. 1 Use this product with retainer GT25-24DS-R preset.
 Retainer GT25-24DS-R product No. : CL0775-0069-7

NOTE. 2 RETAINER TO BE COMPLETELY ASSEMBLED INTO POSITION AFTER CONTACT IS INSERTED.

1	PPE	BLACK							
NO.	MATERIAL	FINISH	REMARKS	NO.	MATERIAL	FINISH	REMARKS		
UNITS mm		SCALE 2 : 1	COUNT 	DESCRIPTION OF REVISIONS			DESIGNED	CHECKED	DATE
HRS HIROSE ELECTRIC CO., LTD.	APPROVED	: AR. SHIRAI	15.02.17	DRAWING NO.			EDC4-169603-00		
	CHECKED	: MO. OKADA	15.02.17	PART NO.			GT25-24DS-HU		
	DESIGNED	: TK. SHISHIKURA	15.02.16	CODE NO.			CL775-0068-4-00		
	DRAWN	: TK. SHISHIKURA	15.02.16				1/1		