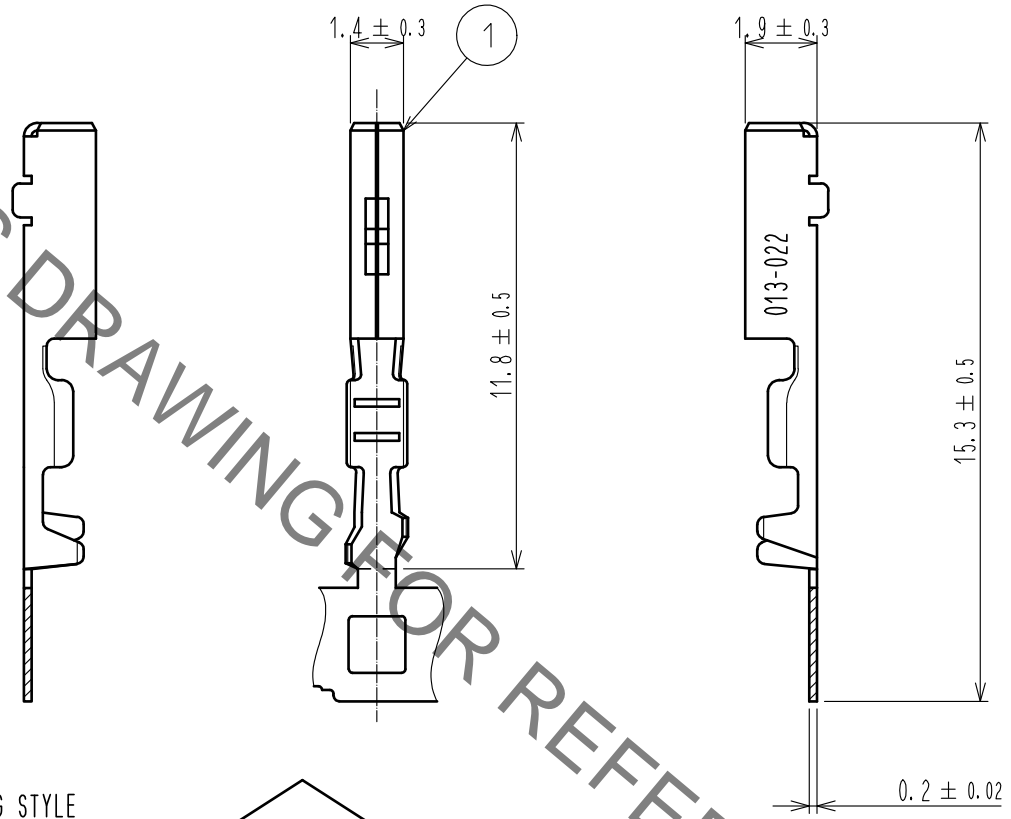
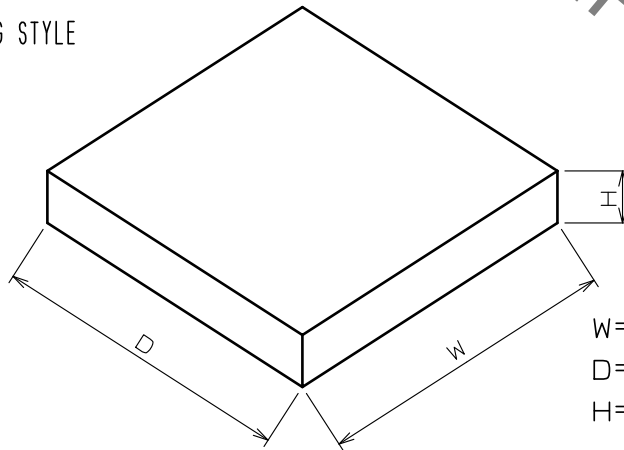


Jun.1.2022 Copyright 2022 HIROSE ELECTRIC CO., LTD. All Rights Reserved.
 In case of consideration for using Automotive equipment / device which demand high reliability, kindly contact our sales window correspondents.

ELV, RoHS COMPLIANT



PACKING STYLE



W=570 mm
 D=570 mm
 H= 55 mm

Note1. 10,000 PCS/RL

2. REGARDING HOW TO HANDLE THE PACKAGED PRODUCTS, PLEASE REFER TO THE ATAD-T0946-00「INSTRUCTION MANUAL FOR HANDLING OF REEL PACKAGING CONTAINING CRIMP TERMINALS」

1	COPPER ALLOY	TIN PLATED					
NO.	MATERIAL	FINISH .	REMARKS	NO.	MATERIAL	FINISH .	REMARKS
UNITS mm		SCALE 5 : 1	COUNT 1	DESCRIPTION OF REVISIONS DIS-T-00013628	DESIGNED AN. SAIKI	CHECKED HH. TSUKUMO	DATE 20220524
HRS HIROSE ELECTRIC CO., LTD.	APPROVED	·HS. OZAWA	20141212	DRAWING NO.	EDC4-169605-00		
	CHECKED	·HS. OZAWA	20141212	PART NO.	GT25HB-2428SCF		
	DESIGNED	·HH. TSUKUMO	20141212	CODE NO.	CL0775-0070-6-00		
	DRAWN	·TT. YOSHIDA	20141212				