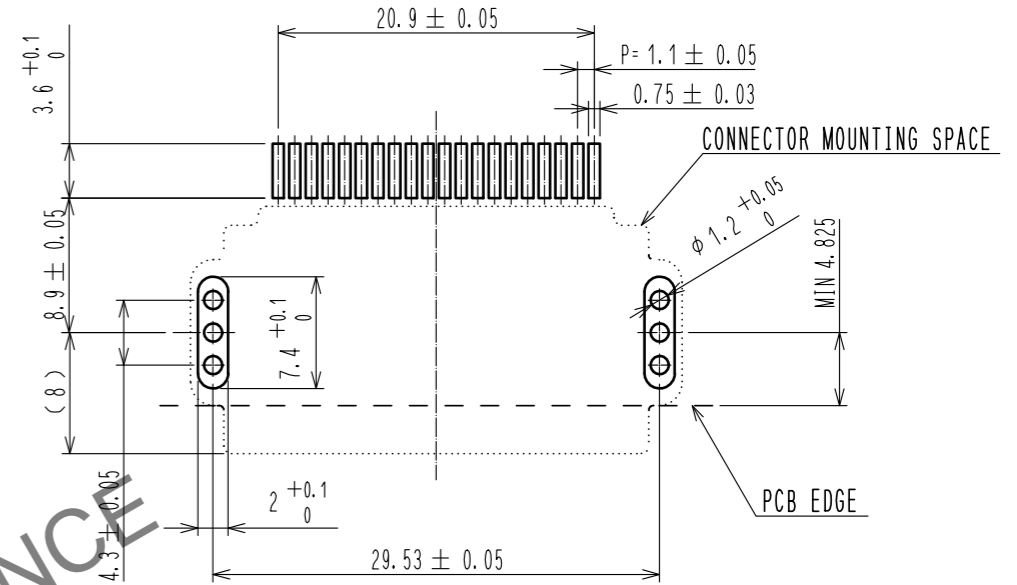
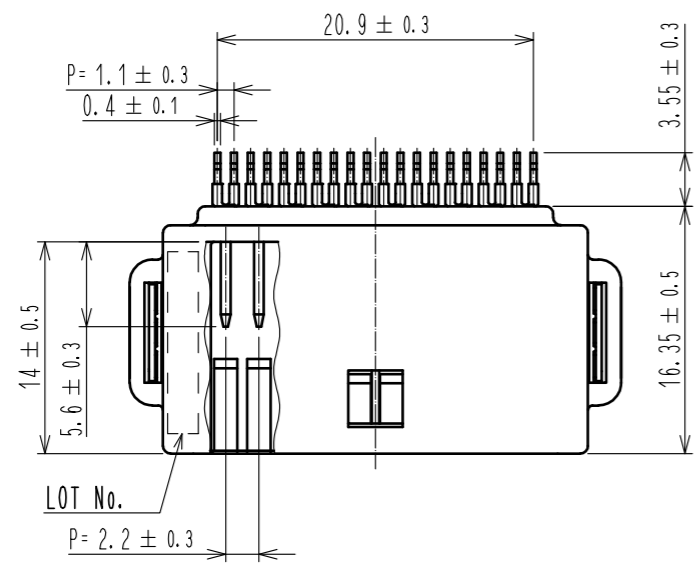
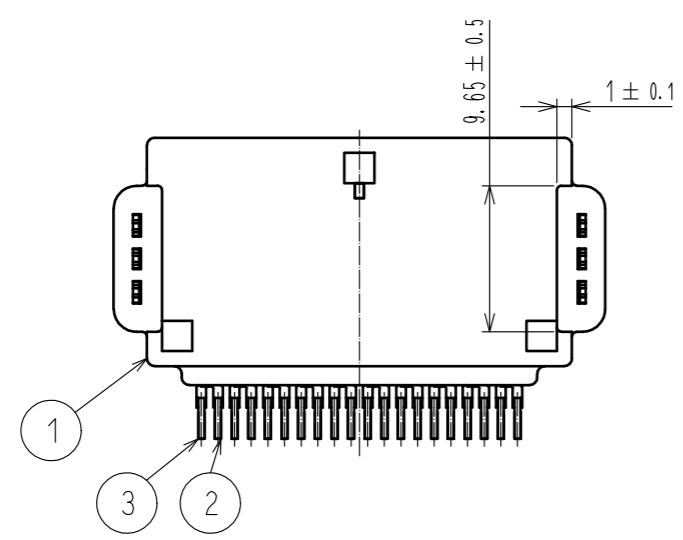
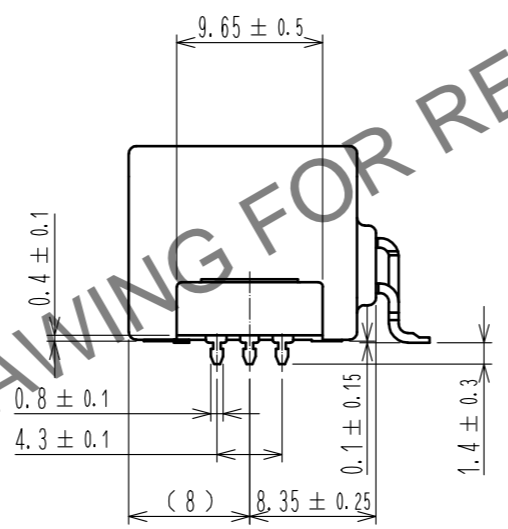
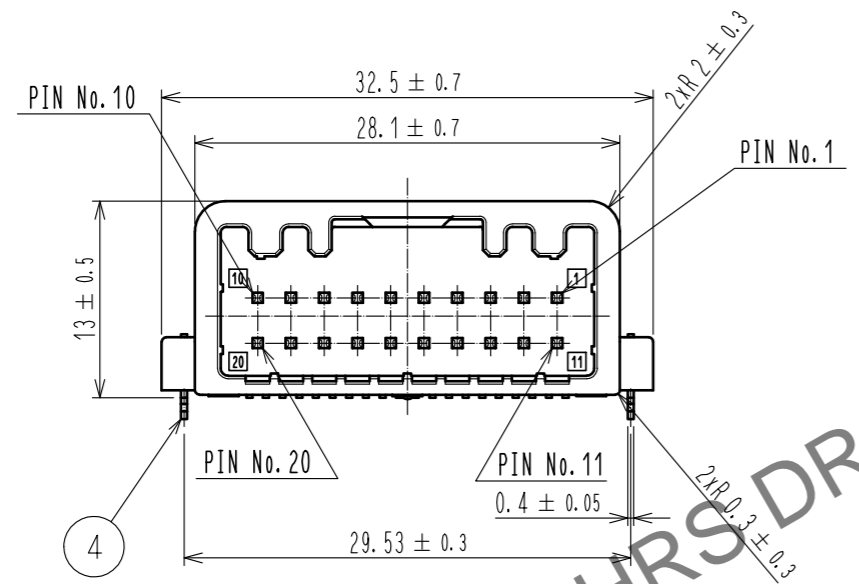


ELV, RoHS COMPLIANT

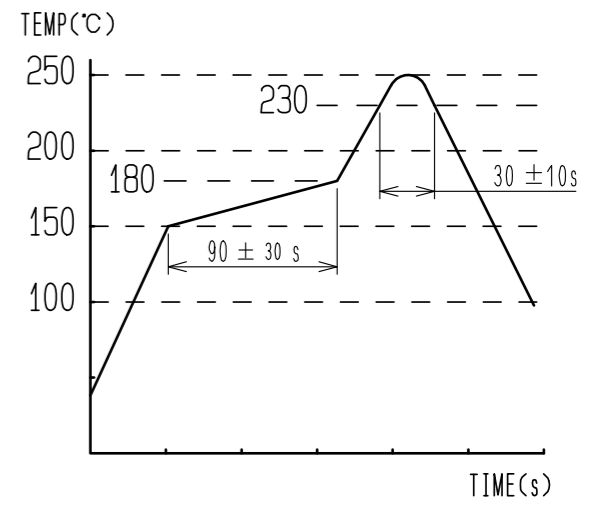
PIN ASSIGNMENT
 10 9 8 7 6 5 4 3 2 1
 20 19 18 17 16 15 14 13 12 11



RECOMMENDED PCB PATTERN



- NOTE 1. RECOMMENDED TEMPERATURE PROFILE FOR REFLOW (REFER TO RIGHT FIG.) USED REFLOW SYSTEM
 : IR IN THE AIR OR NITROGEN
 NO. OF CYCLES : 2 MAX
 PEAK : 250°C
 OVER 230°C : 20~40s
 PREHEAT : 150~180°C
 60~120s
2. TEMPERATURE FOR SOLDERING IRON : 280~300°C WITHIN 2s
3. CO-PLANARITY SHALL BE 0.1mm MAX.
4. RECOMMENDED PCB THICKNESS IS 1.6mm.
5. RECOMMENDED SOLDER THICKNESS IS 0.15mm.

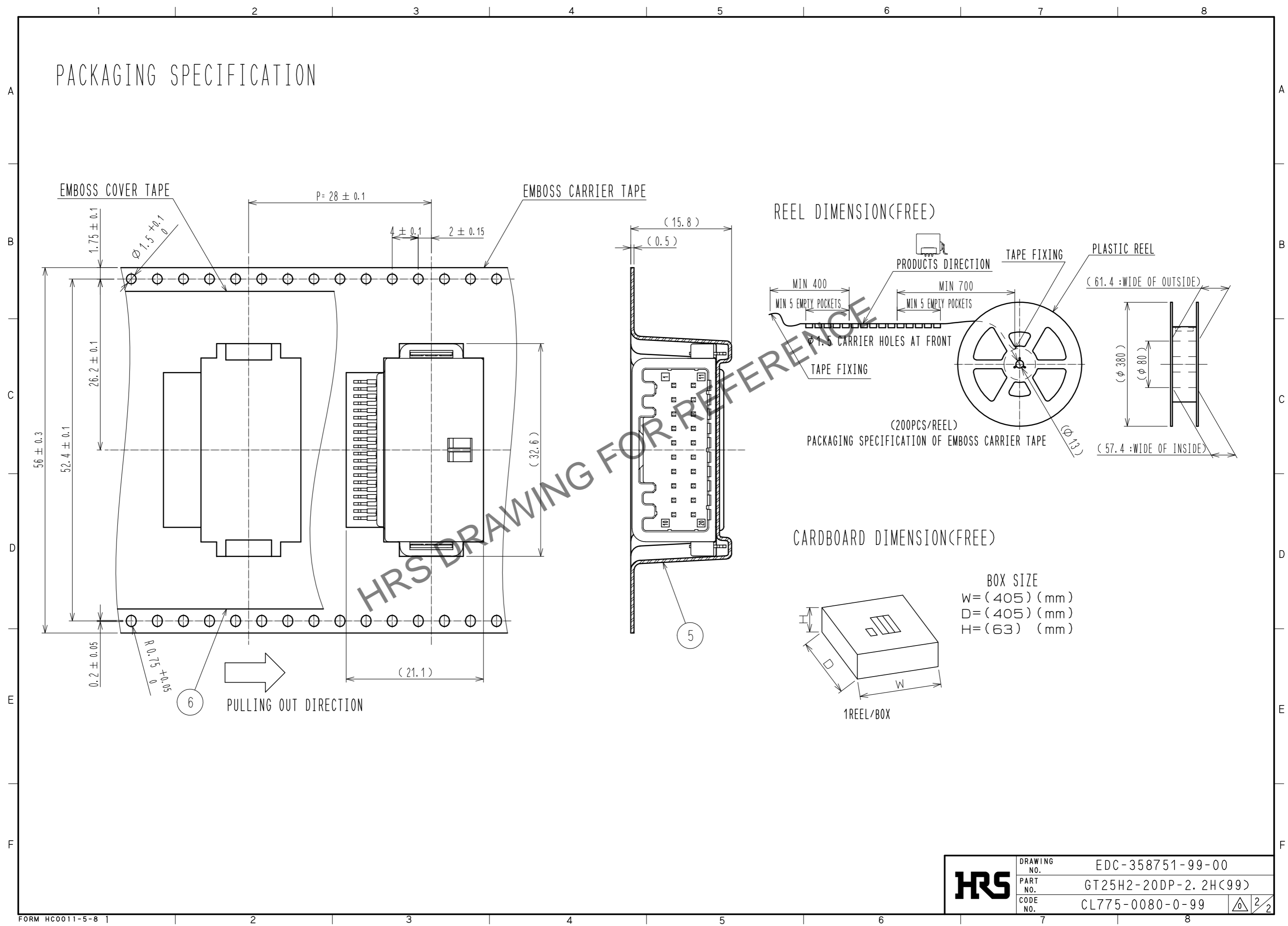


3	BRASS	TIN PLATED T=0.64	6	PET				
2	BRASS	TIN PLATED T=0.64	5	PS				
1	PPS	BLACK	4	BRASS	TIN PLATED T=0.4			
NO.	MATERIAL	FINISH . REMARKS	NO.	MATERIAL	FINISH . REMARKS			
UNITS	mm	SCALE	2 : 1	COUNT	DESCRIPTION OF REVISIONS	DESIGNED	CHECKED	DATE
HRS HIROSE ELECTRIC CO., LTD.		APPROVED	AR. SHIRAI	16.09.09	DRAWING NO.	EDC-358751-99-00		
		CHECKED	HS. OZAWA	16.09.09	PART NO.	GT25H2-20DP-2. 2H(99)		
		DESIGNED	TK. SHISHIKURA	16.09.09	CODE NO.	CL775-0080-0-99		
		DRAWN	TK. SHISHIKURA	16.09.09		1/2		

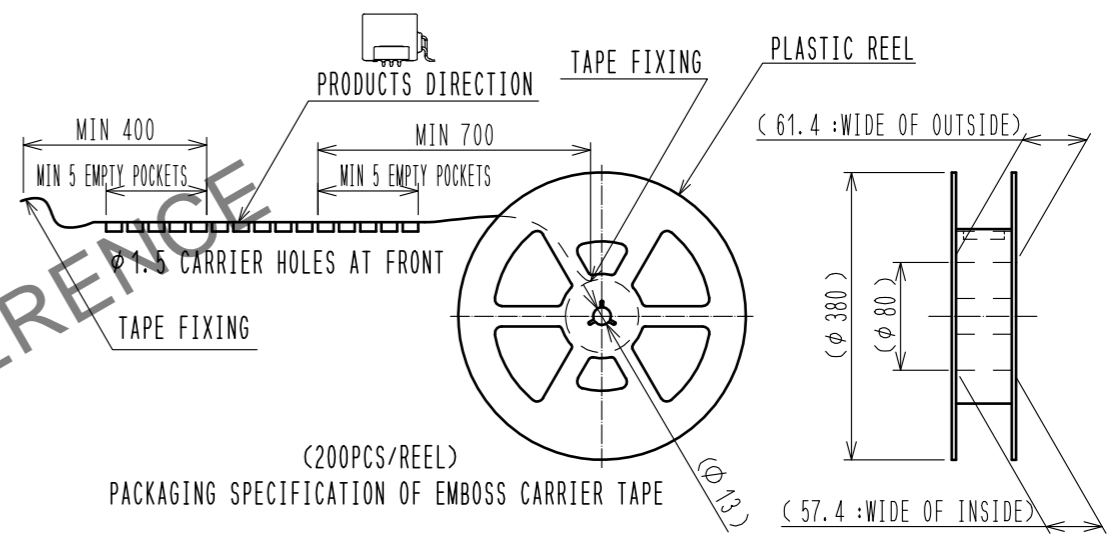
Mar.1.2024 Copyright 2024 HIROSE ELECTRIC CO., LTD. All Rights Reserved. In case of consideration for using Automotive equipment / device which demand high reliability, kindly contact our sales window correspondents.

Mar.1.2024 Copyright 2024 HIROSE ELECTRIC CO., LTD. All Rights Reserved.
In case of consideration for using Automotive equipment / device which demand high reliability, kindly contact our sales window correspondents.

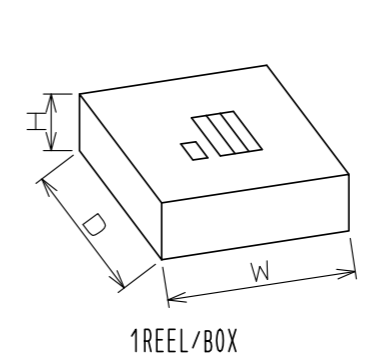
PACKAGING SPECIFICATION



REEL DIMENSION(FREE)



CARDBOARD DIMENSION(FREE)



BOX SIZE
W = (405) (mm)
D = (405) (mm)
H = (63) (mm)

HRS	DRAWING NO.	EDC-358751-99-00	
	PART NO.	GT25H2-20DP-2.2H(99)	
	CODE NO.	CL775-0080-0-99	2/2