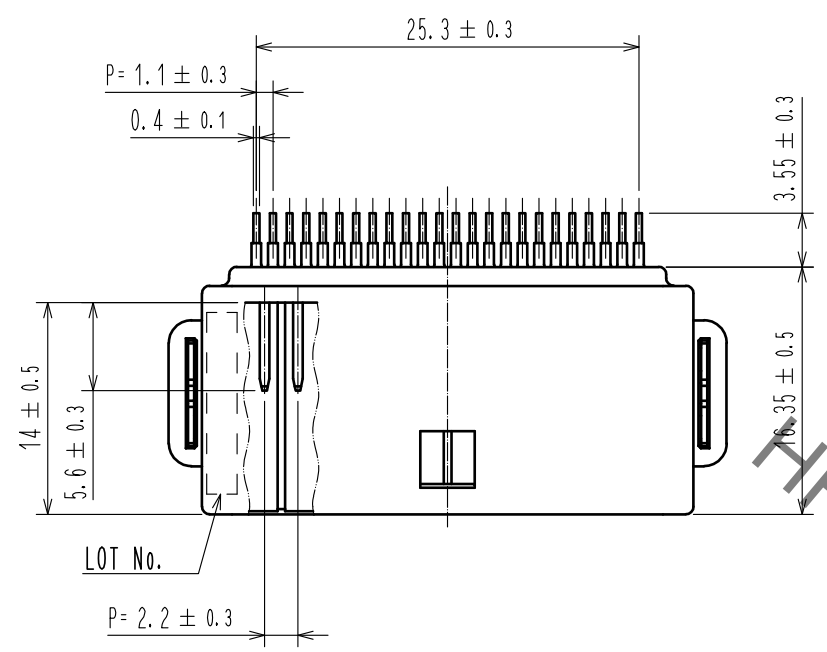
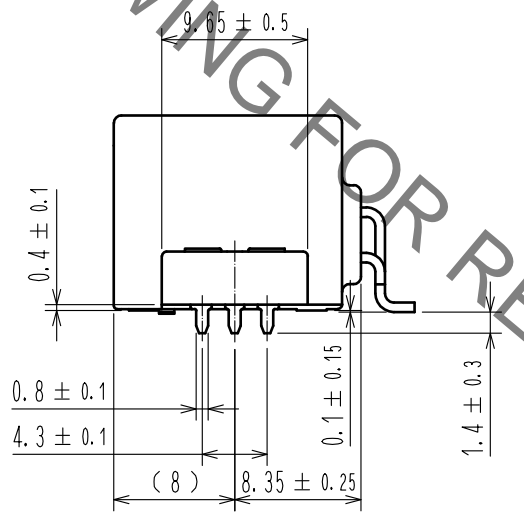
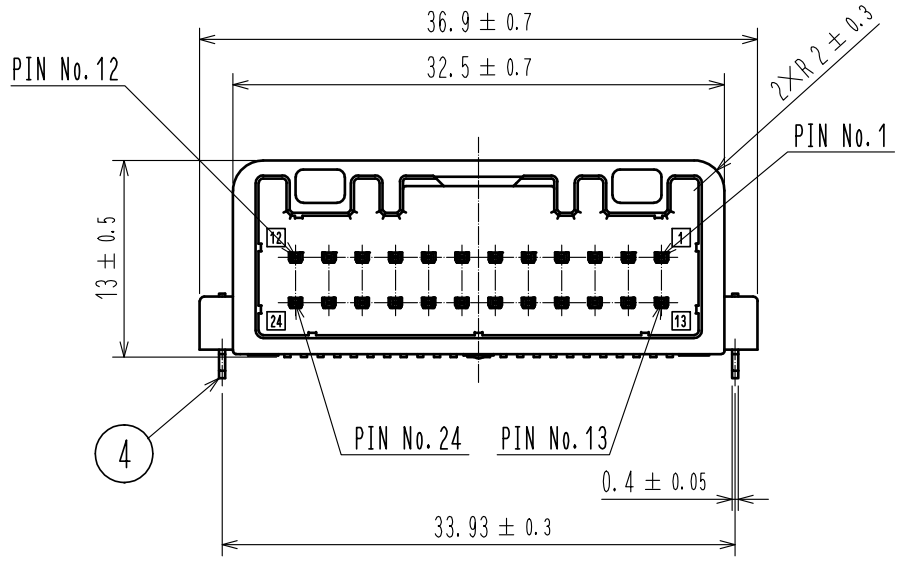
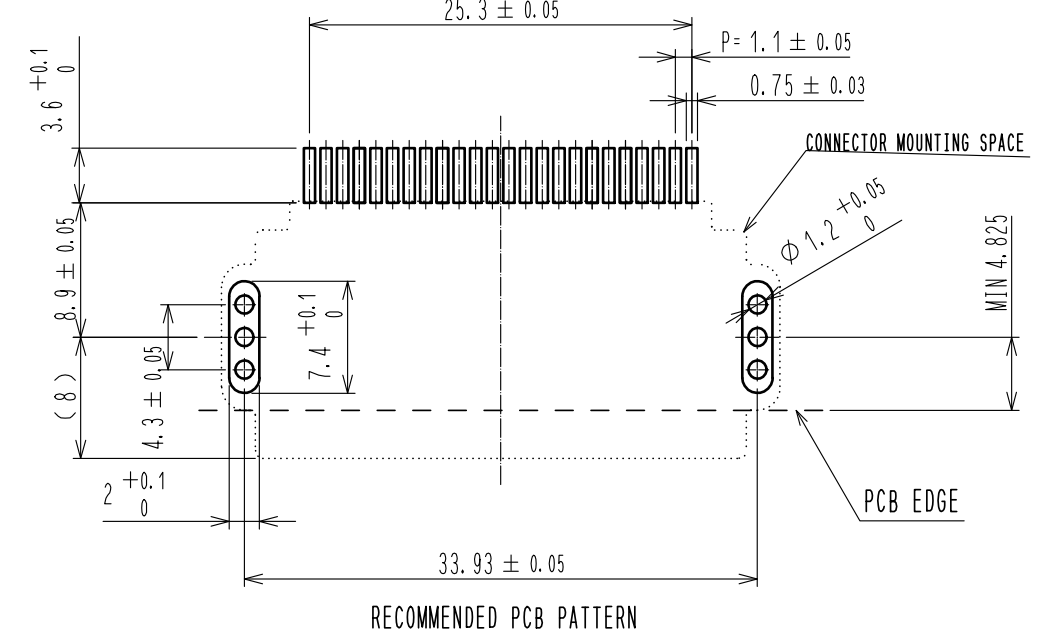


Jan.1.2022 Copyright 2022 HIROSE ELECTRIC CO., LTD. All Rights Reserved.
In case of consideration for using Automotive equipment / device which demand high reliability, kindly contact our sales window correspondents.

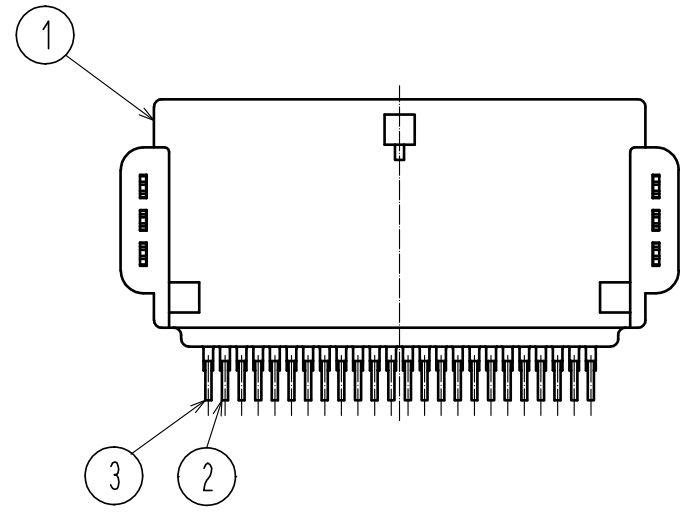
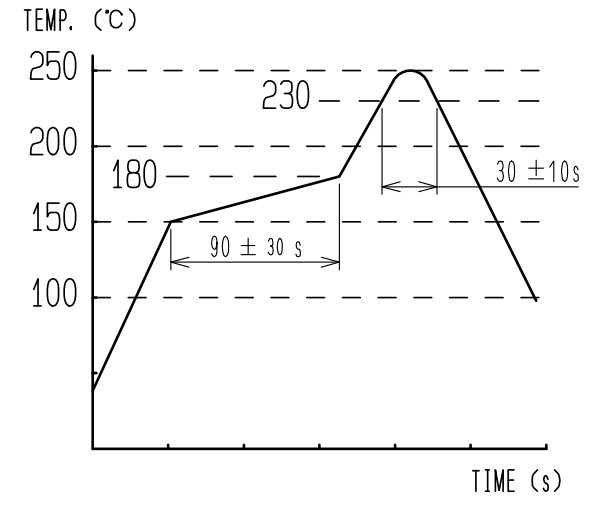
ELV. RoHS COMPLIANT



PIN ASSIGNMENT
12 24 11 23 10 22 9 21 8 20 7 19 6 18 5 17 4 16 3 15 2 14 1 13

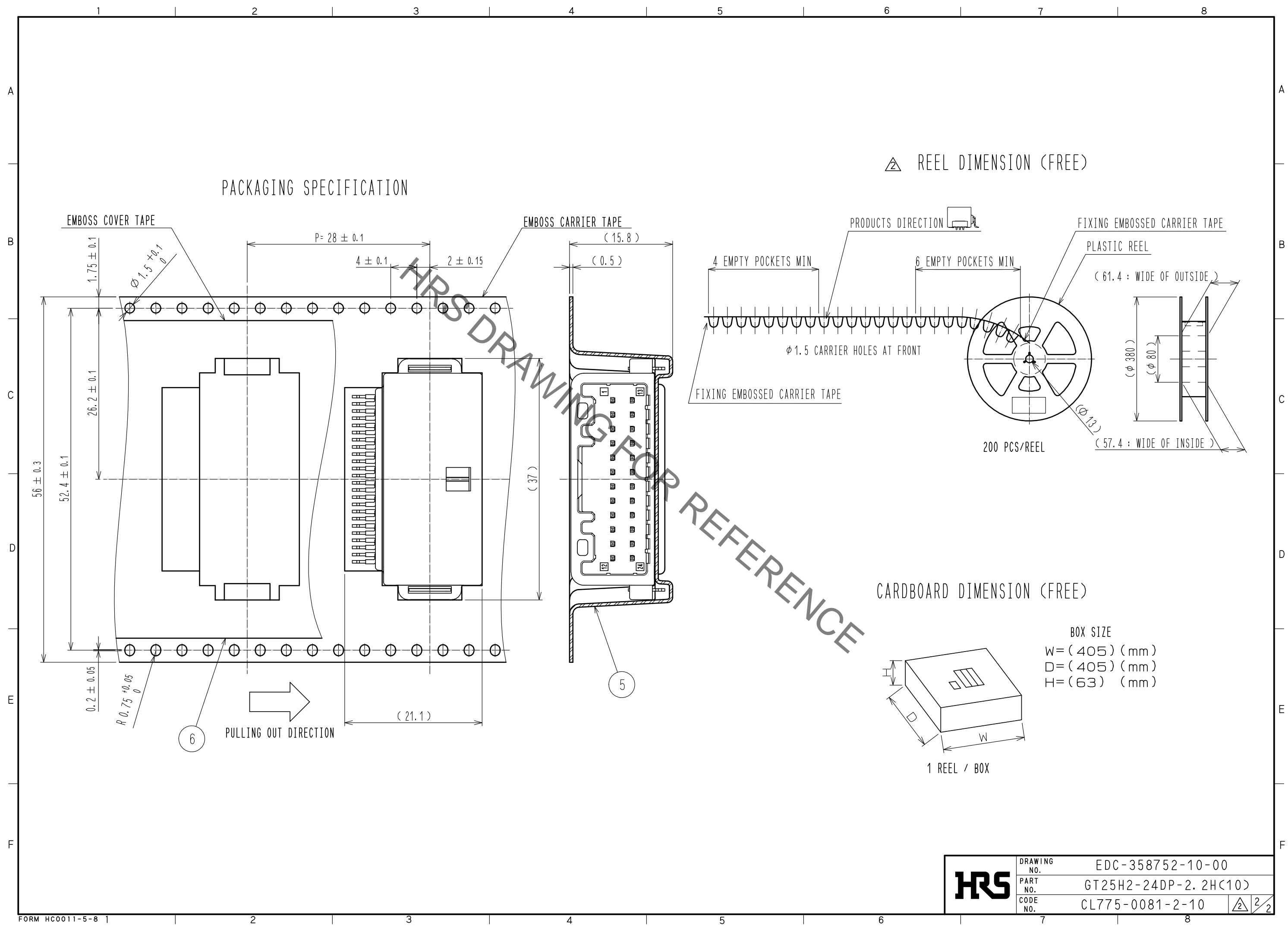


- NOTE1. RECOMMENDED TEMPERATURE PROFILE FOR REFLOW (REFER TO RIGHT FIG.) USED REFLOW SYSTEM
: IR IN THE AIR OR NITROGEN
NO. OF CYCLES : 2 MAX
PEAK : 250°C
OVER 230°C : 20~40s
PREHEAT : 150~180°C
60~120s
2. TEMPERATURE FOR SOLDERING IRON : 280~300°C WITHIN 2s
3. LEAD CO-PLANARITY SHALL BE 0.1mm MAX.
4. RECOMMENDED PCB THICKNESS IS 1.6mm
5. RECOMMENDED SOLDER THICKNESS IS 0.15mm.



3	BRASS	TIN PLATED	6	PET			
2	BRASS	TIN PLATED	5	PS			
1	PA	BLACK	4	BRASS	TIN PLATED		
NO.	MATERIAL	FINISH . REMARKS	NO.	MATERIAL	FINISH . REMARKS		
UNITS mm		SCALE 2 : 1	COUNT 1	DESCRIPTION OF REVISIONS DIS-T-00006626	DESIGNED DONGCHAN KIM	CHECKED HH. TSUKUMO	DATE 20200902
HRS HIROSE ELECTRIC CO., LTD.		APPROVED : AR. SHIRAI	20180622	DRAWING NO. EDC-358752-10-00			
		CHECKED : HS. OZAWA	20180622	PART NO. GT25H2-24DP-2. 2H<10>			
		DESIGNED : YT. HAYAKAWA	20180622	CODE NO. CL775-0081-2-10			
		DRAWN : GYEONGMIN LEE	20180622	1/2			

Jan.1.2022 Copyright 2022 HIROSE ELECTRIC CO., LTD. All Rights Reserved.
 In case of consideration for using Automotive equipment / device which demand high reliability, kindly contact our sales window correspondents.



PACKAGING SPECIFICATION

REEL DIMENSION (FREE)

CARDBOARD DIMENSION (FREE)

BOX SIZE
 W=(405) (mm)
 D=(405) (mm)
 H=(63) (mm)



DRAWING NO.	EDC-358752-10-00
PART NO.	GT25H2-24DP-2.2H<10>
CODE NO.	CL775-0081-2-10

2/2