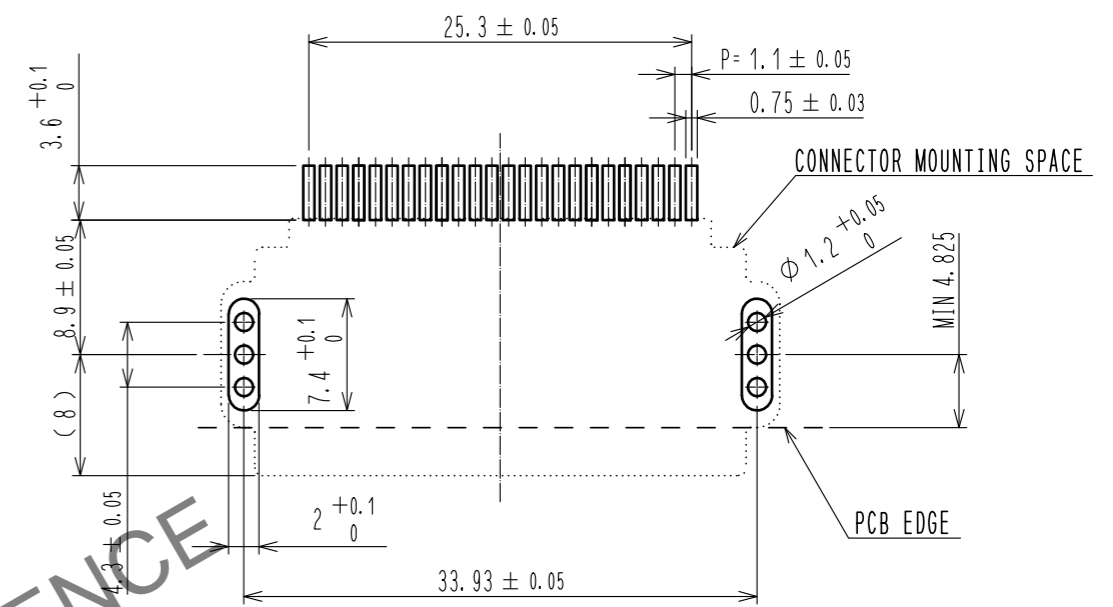
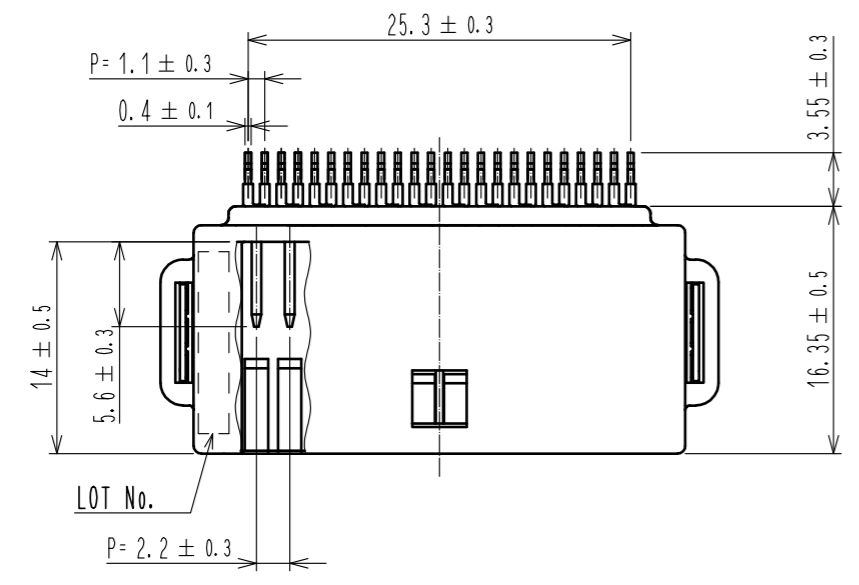
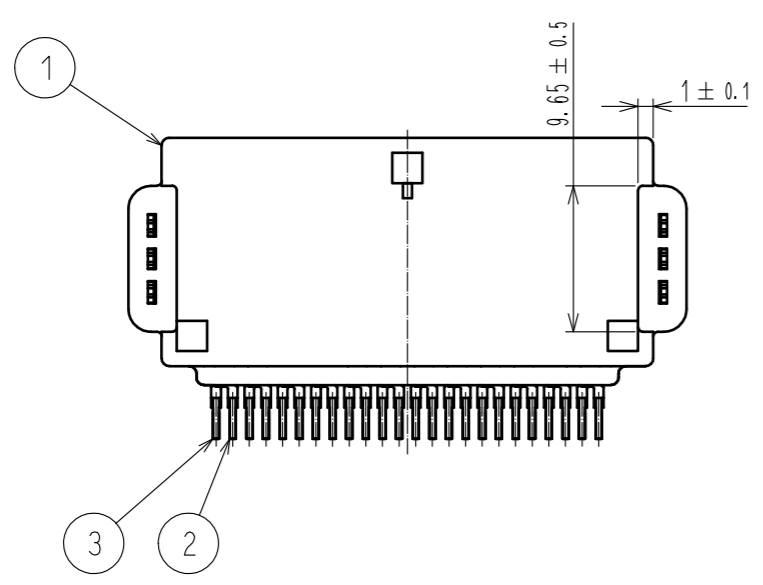
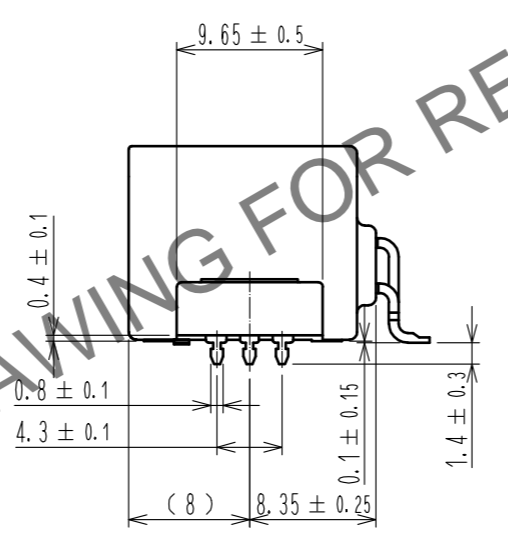
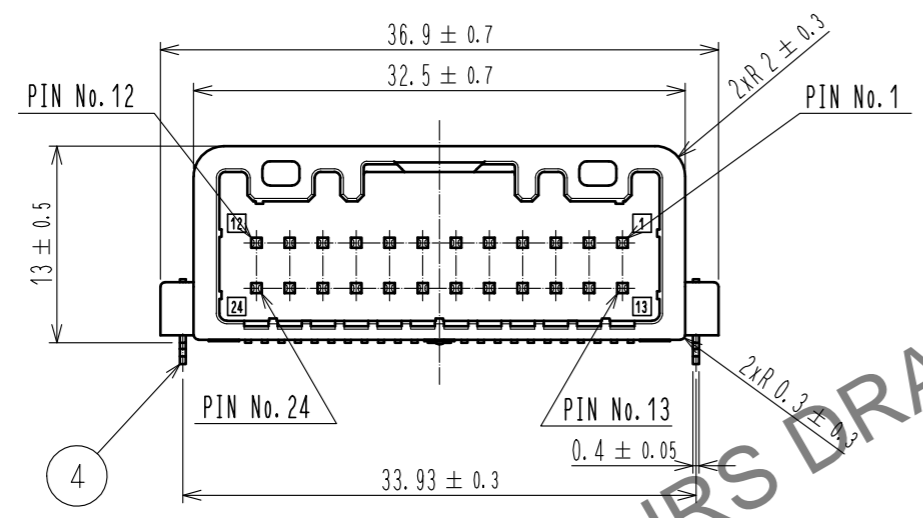


ELV, RoHS COMPLIANT

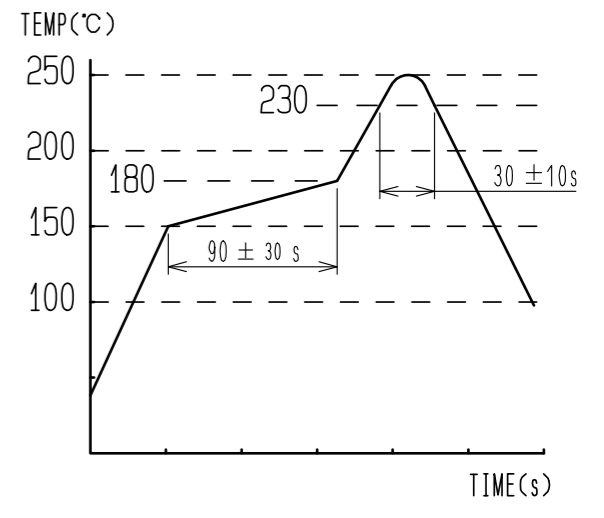
PIN ASSIGNMENT
 12 11 10 9 8 7 6 5 4 3 2 1
 24 23 22 21 20 19 18 17 16 15 14 13



RECOMMENDED PCB PATTERN



- NOTE 1. RECOMMENDED TEMPERATURE PROFILE FOR REFLOW (REFER TO RIGHT FIG.) USED REFLOW SYSTEM
- : IR IN THE AIR OR NITROGEN
 - NO. OF CYCLES : 2 MAX
 - PEAK : 250°C
 - OVER 230°C : 20~40s
 - PREHEAT : 150~180°C
 - 60~120s
2. TEMPERATURE FOR SOLDERING IRON : 280~300°C WITHIN 2s
3. CO-PLANARITY SHALL BE 0.1mm MAX.
4. RECOMMENDED PCB THICKNESS IS 1.6mm.
5. RECOMMENDED SOLDER THICKNESS IS 0.15mm.



3	BRASS	TIN PLATED T=0.64	6	PET				
2	BRASS	TIN PLATED T=0.64	5	PS				
1	PPS	BLACK	4	BRASS	TIN PLATED T=0.4			
NO.	MATERIAL	FINISH . REMARKS	NO.	MATERIAL	FINISH . REMARKS			
UNITS	mm	SCALE	2 : 1	COUNT	DESCRIPTION OF REVISIONS	DESIGNED	CHECKED	DATE
HRS HIROSE ELECTRIC CO., LTD.		APPROVED : AR. SHIRAI	16.09.09	DRAWING NO. EDC-358752-99-00				
		CHECKED : HS. OZAWA	16.09.09	PART NO. GT25H2-24DP-2. 2H(99)				
		DESIGNED : TK. SHISHIKURA	16.09.09	CODE NO. CL775-0081-2-99				
		DRAWN : TK. SHISHIKURA	16.09.09					

Mar.1.2024 Copyright 2024 HIROSE ELECTRIC CO., LTD. All Rights Reserved. In case of consideration for using Automotive equipment / device which demand high reliability, kindly contact our sales window correspondents.

