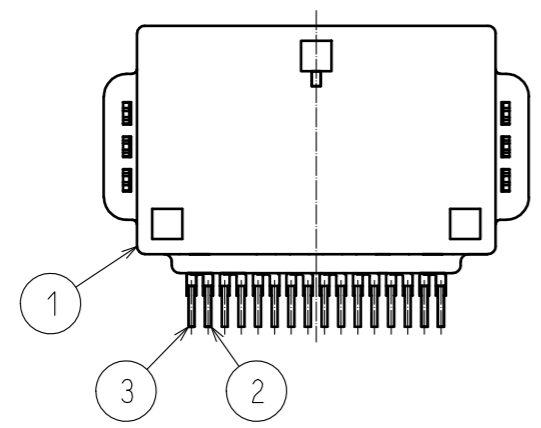
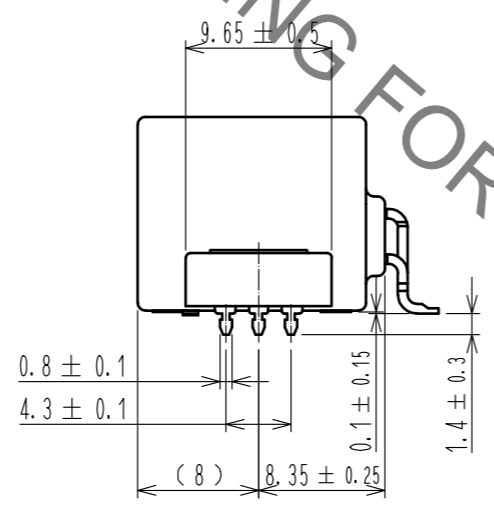
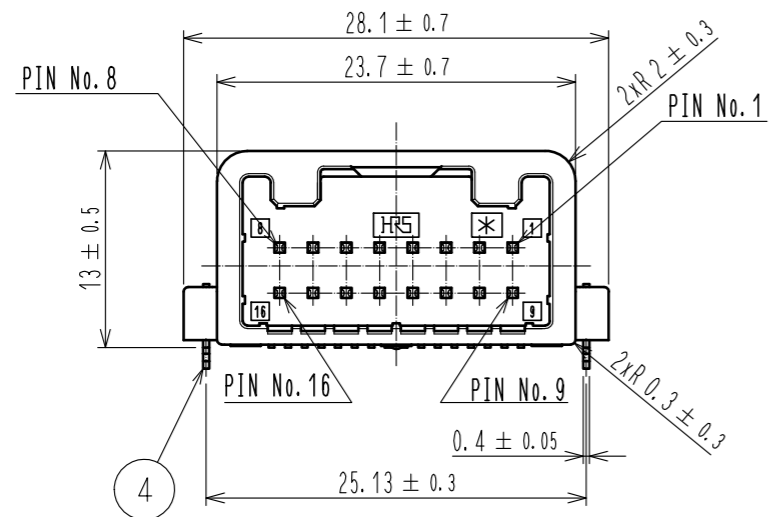
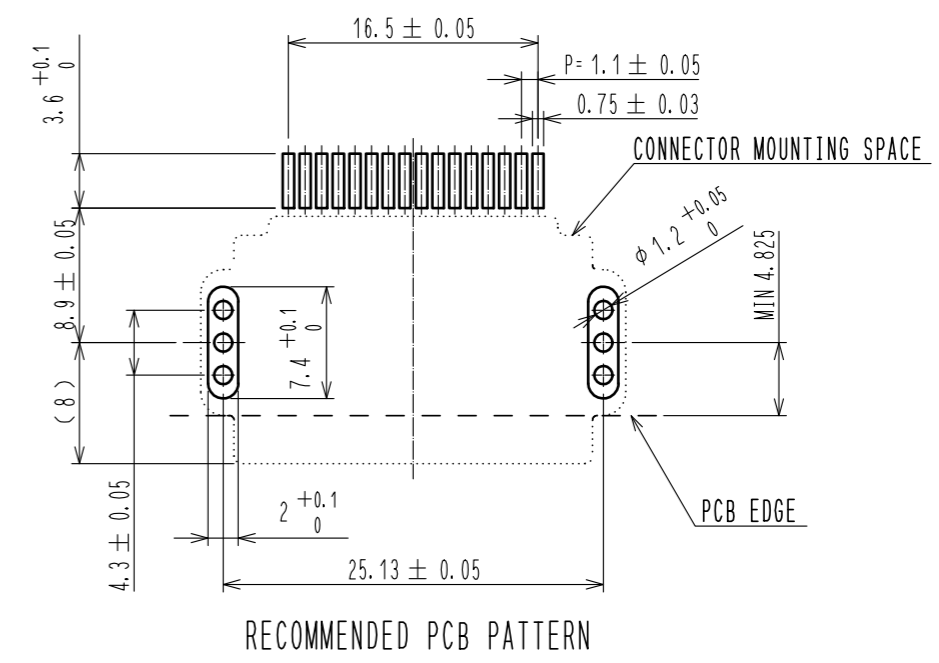
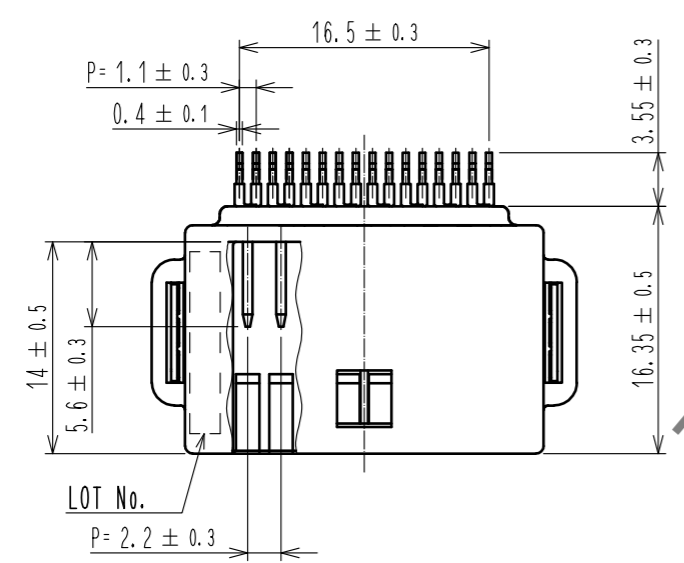
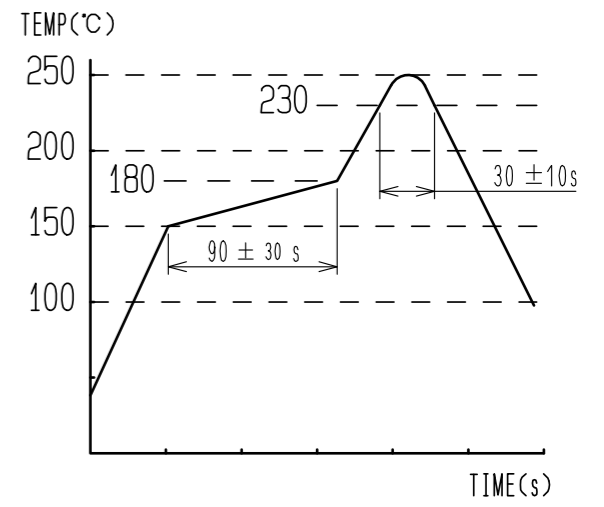


ELV, RoHS COMPLIANT

PIN ASSIGNMENT
 8 7 6 5 4 3 2 1
 16 15 14 13 12 11 10 9



- NOTE 1. RECOMMENDED TEMPERATURE PROFILE FOR REFLOW (REFER TO RIGHT FIG.)
 USED REFLOW SYSTEM : IR IN THE AIR OR NITROGEN
 NO. OF CYCLES : 2 MAX
 PEAK : 250°C
 OVER 230°C : 20~40s
 PREHEAT : 150~180°C
 60~120s
 2. TEMPERATURE FOR SOLDERING IRON : 280~300°C WITHIN 2s
 3. CO-PLANARITY SHALL BE 0.1mm MAX.
 4. RECOMMENDED PCB THICKNESS IS 1.6mm.
 5. RECOMMENDED SOLDER THICKNESS IS 0.15mm.

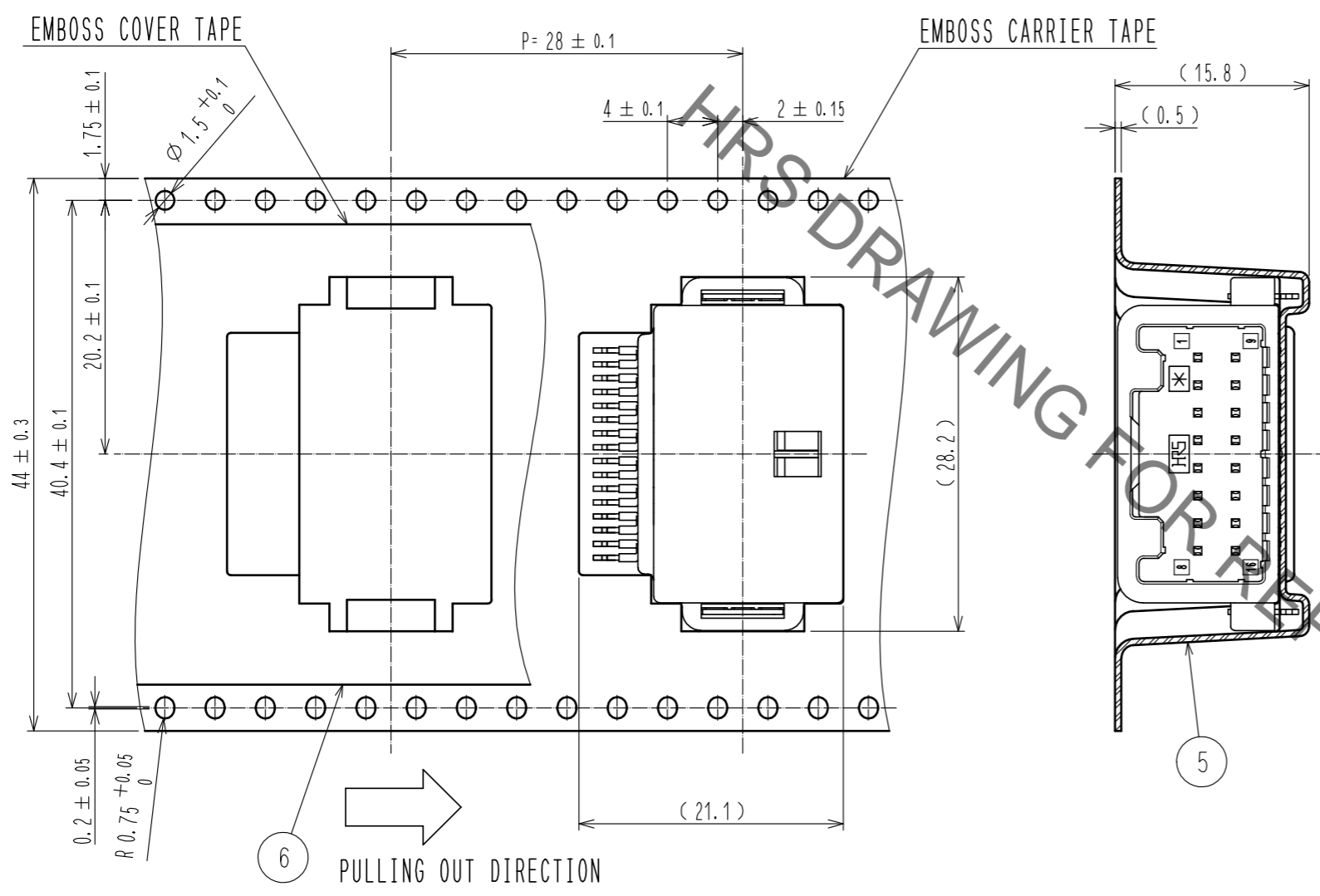


3	BRASS	TIN PLATED T=0.64	6	PET				
2	BRASS	TIN PLATED T=0.64	5	PS				
1	PPS	BLACK	4	BRASS	TIN PLATED T=0.4			
NO.	MATERIAL	FINISH . REMARKS	NO.	MATERIAL	FINISH . REMARKS			
UNITS	mm	SCALE	2 : 1	COUNT	DESCRIPTION OF REVISIONS	DESIGNED	CHECKED	DATE
HRS HIROSE ELECTRIC CO., LTD.		APPROVED	: NH. NAKATA	16.03.28	DRAWING NO.	EDC-361741-00-00		
		CHECKED	: HS. OZAWA	16.03.27	PART NO.	GT25H2-16DP-2.2H		
		DESIGNED	: TK. SHISHIKURA	16.03.26	CODE NO.	CL775-0089-4-00		
		DRAWN	: TK. SHISHIKURA	16.03.26		1/2		

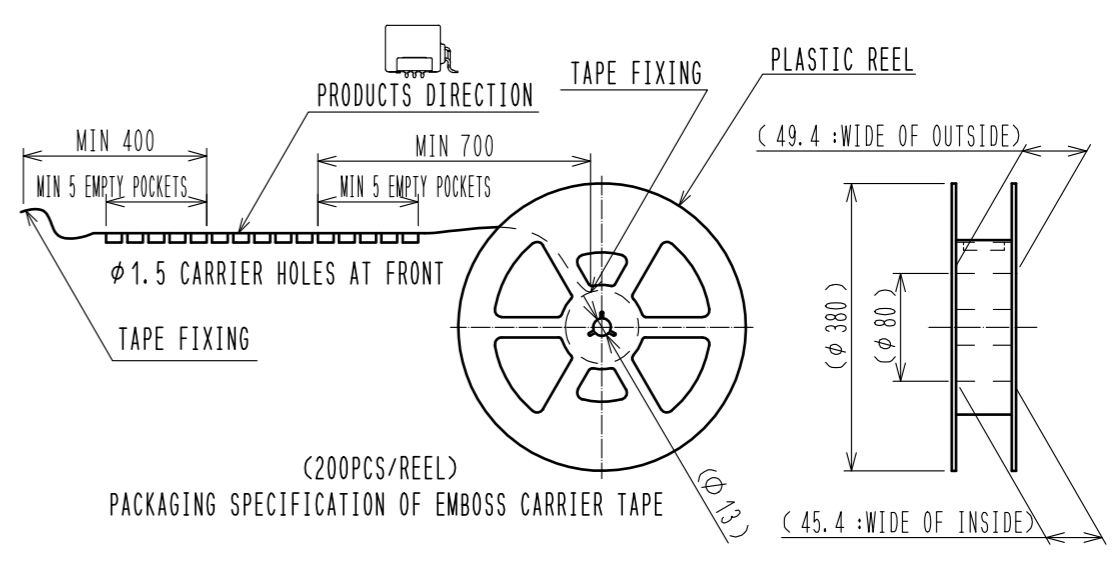
Jan.1.2022 Copyright 2022 HIROSE ELECTRIC CO., LTD. All Rights Reserved. In case of consideration for using Automotive equipment / device which demand high reliability, kindly contact our sales window correspondents.

Jan.1.2022 Copyright 2022 HIROSE ELECTRIC CO., LTD. All Rights Reserved.
 In case of consideration for using Automotive equipment / device which demand high reliability, kindly contact our sales window correspondents.

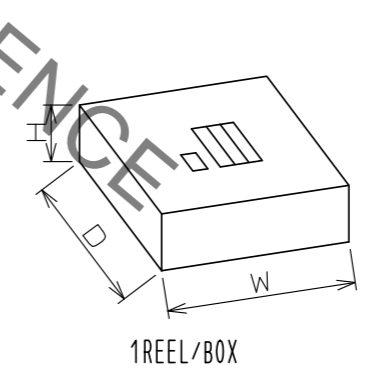
PACKAGING SPECIFICATION



REEL DIMENSION(FREE)



CARDBOARD DIMENSION(FREE)



BOX SIZE
 W = (405) (mm)
 D = (405) (mm)
 H = (49) (mm)

HRS	DRAWING NO.	EDC-361741-00-00
	PART NO.	GT25H2-16DP-2.2H
	CODE NO.	CL775-0089-4-00