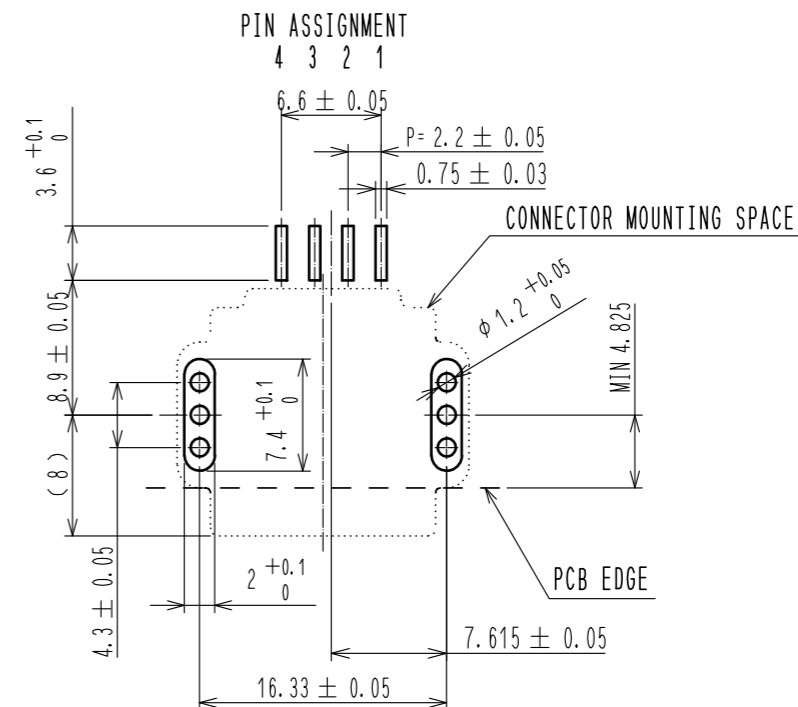
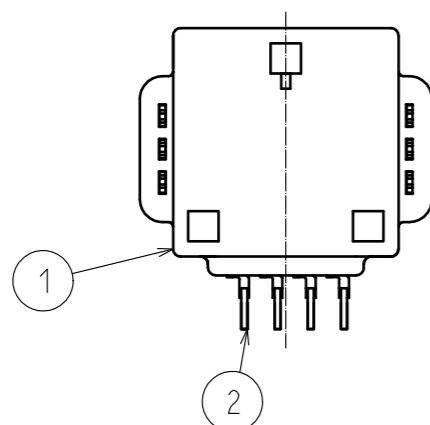
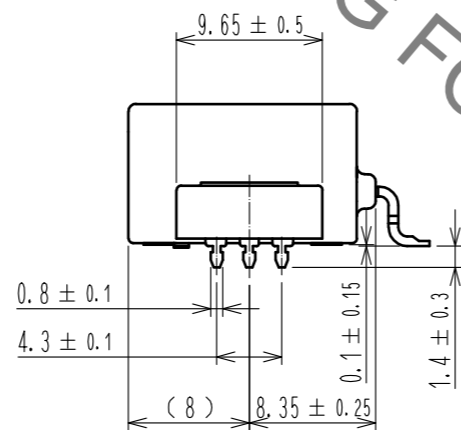
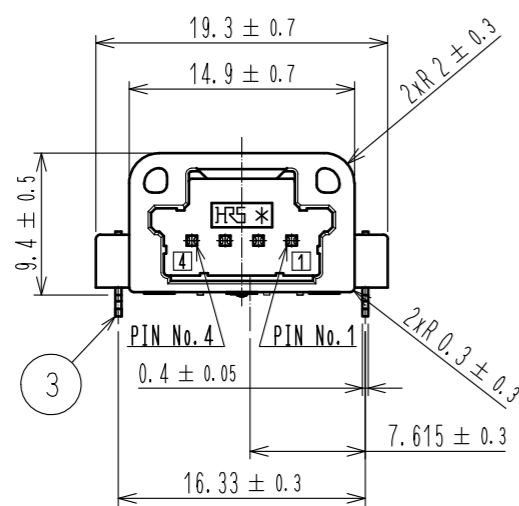
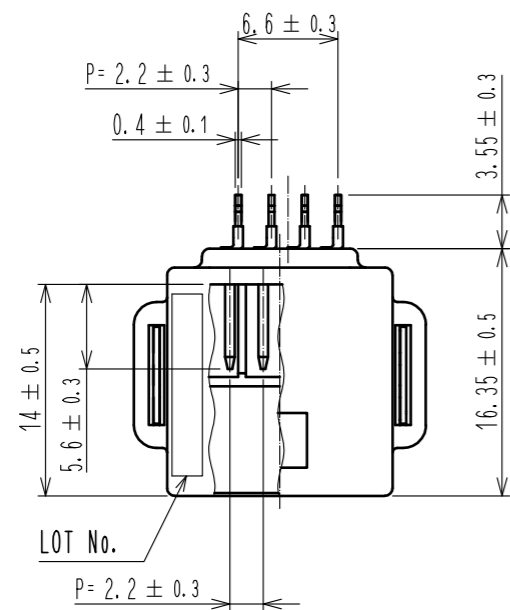
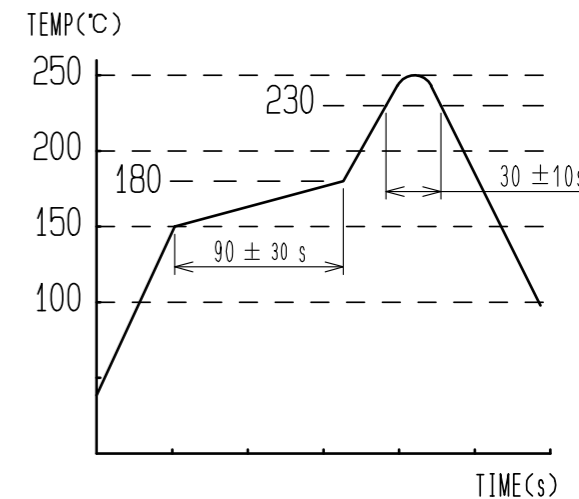


ELV, RoHS COMPLIANT



RECOMMENDED PCB PATTERN

- NOTE 1. RECOMMENDED TEMPERATURE PROFILE FOR REFLOW (REFER TO RIGHT FIG.)
 USED REFLOW SYSTEM : IR IN THE AIR OR NITROGEN
 NO. OF CYCLES : 2 MAX
 PEAK : 250°C
 OVER 230°C : 20~40s
 PREHEAT : 150~180°C
 60~120s
2. TEMPERATURE FOR SOLDERING IRON : 280~300°C WITHIN 2s
3. CO-PLANARITY SHALL BE 0.1mm MAX.
4. RECOMMENDED PCB THICKNESS IS 1.6mm.
5. RECOMMENDED SOLDER THICKNESS IS 0.15mm.



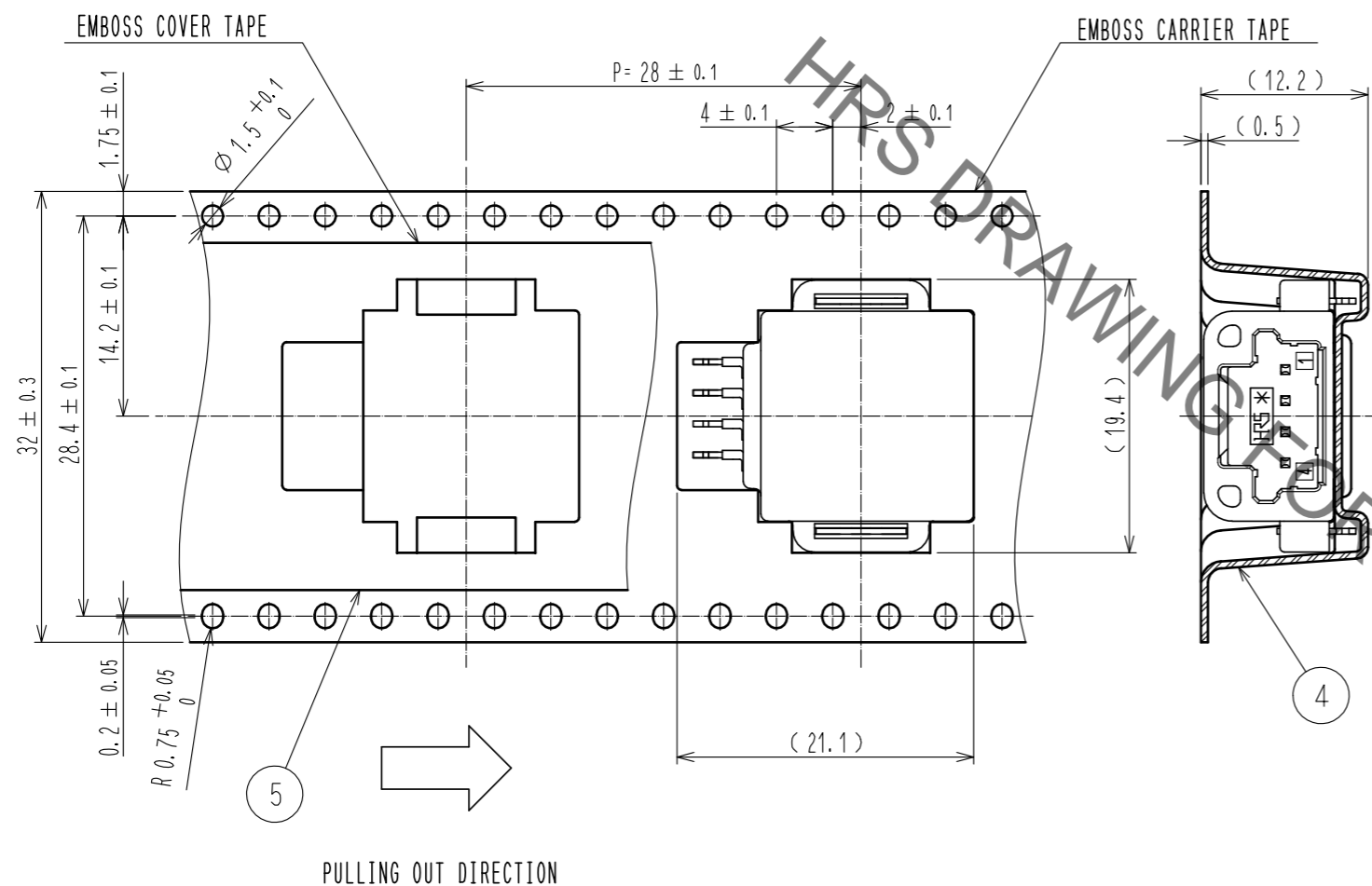
3	BRASS	TIN PLATED T=0.4			
2	BRASS	TIN PLATED T=0.64	5	PET	
1	PPS	BLACK	4	POLYSTYRENE	
NO.	MATERIAL	FINISH . REMARKS	NO.	MATERIAL	FINISH . REMARKS
UNITS mm		SCALE 2 : 1	COUNT 	DESCRIPTION OF REVISIONS	DESIGNED
HRS	HIROSE ELECTRIC CO., LTD.	APPROVED : AR. SHIRAI	16.09.24	DRAWING NO.	EDC-361743-00-00
		CHECKED : HS. OZAWA	16.09.24	PART NO.	GT25H2-4P-2.2H
		DESIGNED : TK. SHISHIKURA	16.09.23	CODE NO.	CL775-0091-6-00
		DRAWN : SK. HANAWA	16.09.23		1/2

HRS DRAWING FOR REFERENCE

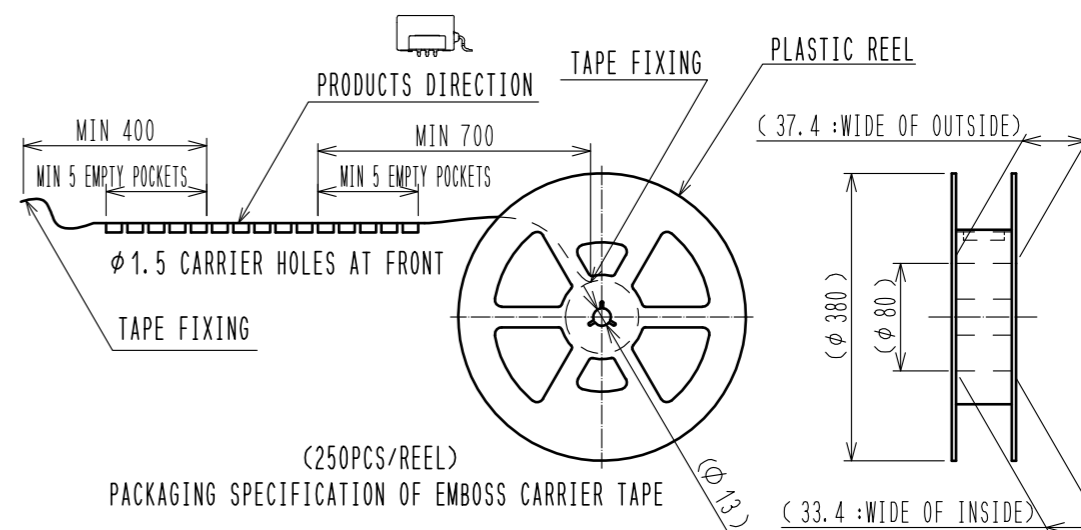
In case of consideration for using Automotive equipment / device which demand high reliability, kindly contact our sales window correspondents.

Jul.1.2022 Copyright 2022 HIROSE ELECTRIC CO., LTD. All Rights Reserved.
 In case of consideration for using Automotive equipment / device which demand high reliability, kindly contact our sales window correspondents.

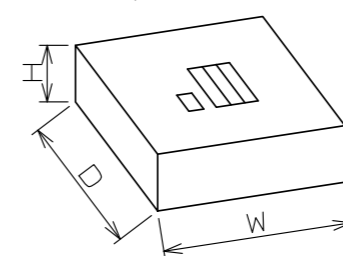
PACKAGING SPECIFICATION



REEL DIMENSION(FREE)



CARDBOARD DIMENSION(FREE)



BOX SIZE

W = (405) (mm)
 D = (405) (mm)
 H = (39) (mm)

HRS	DRAWING NO.	EDC-361743-00-00
	PART NO.	GT25H2-4P-2.2H
	CODE NO.	CL775-0091-6-00
		2/2