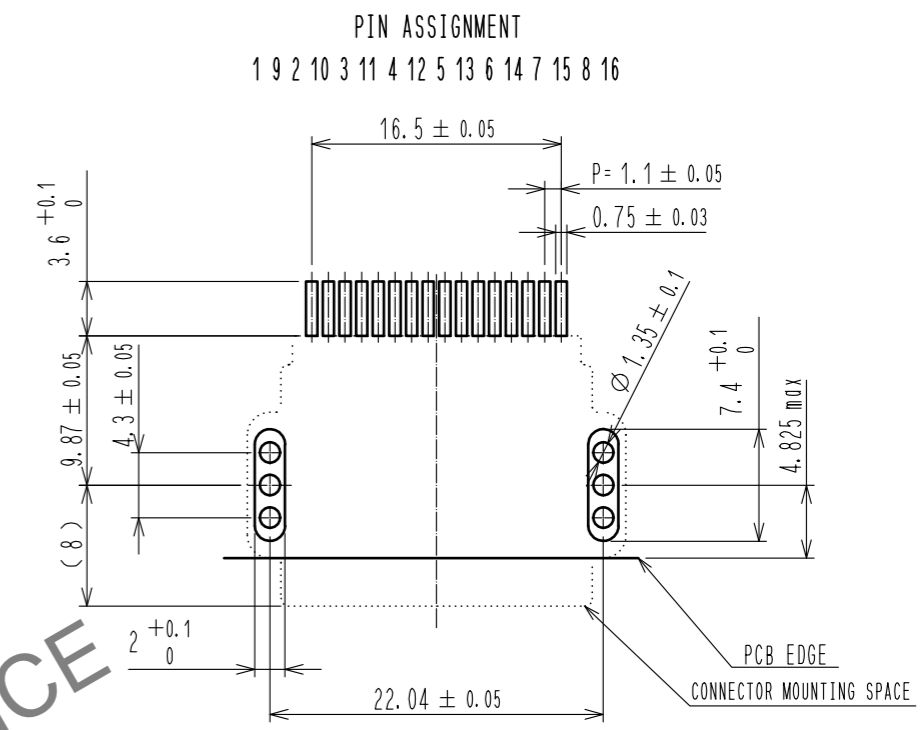
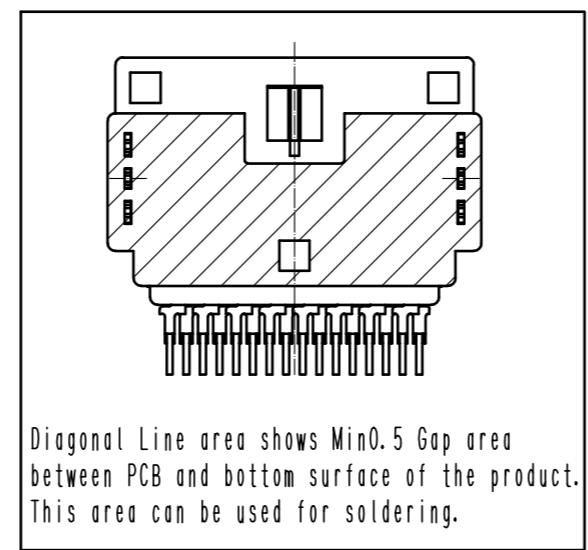
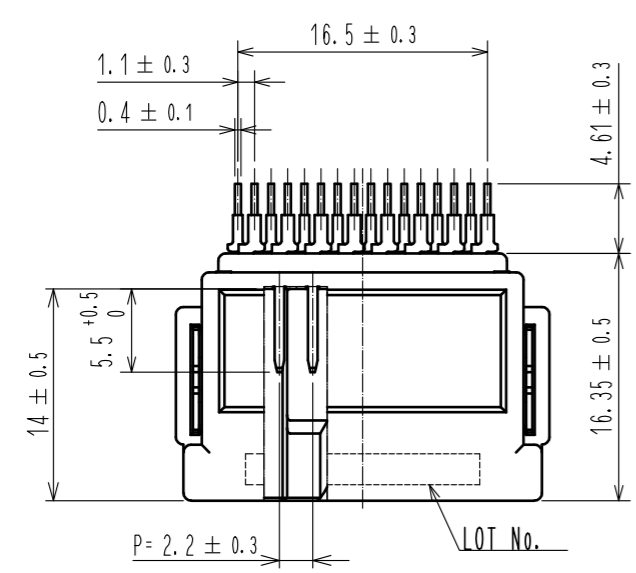
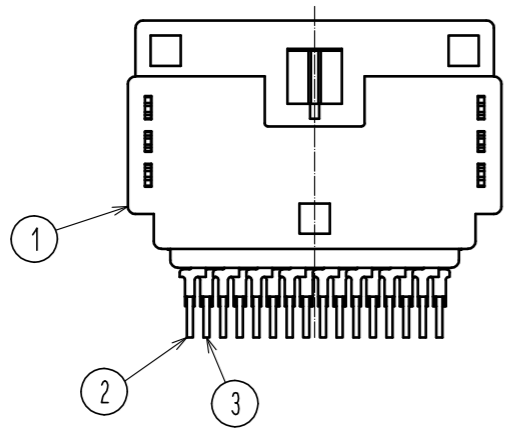
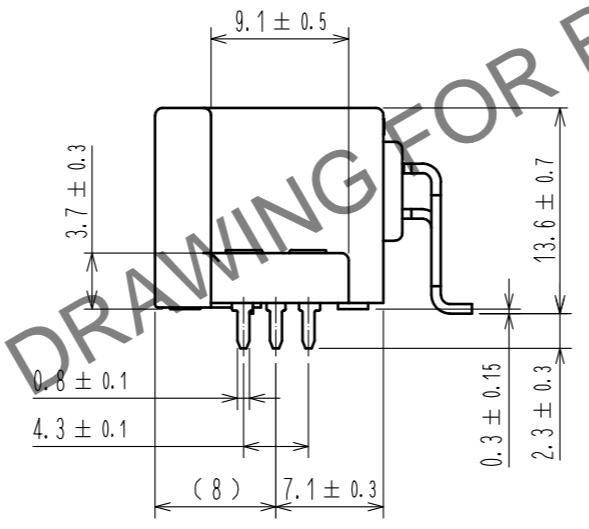
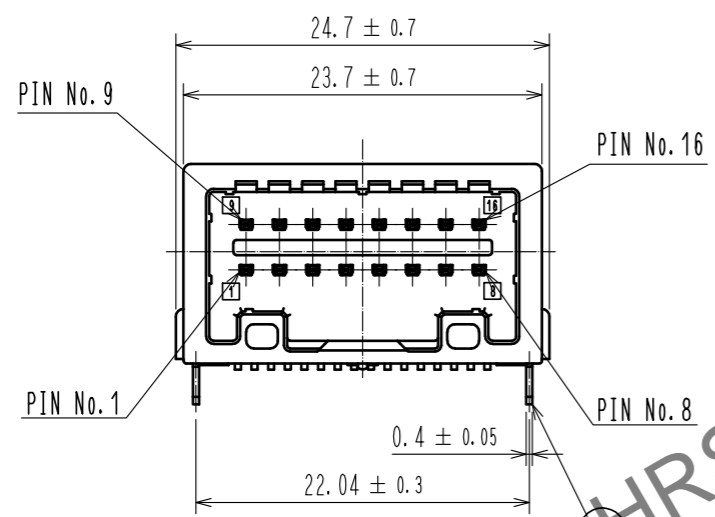


Mar.1.2024 Copyright 2024 HIROSE ELECTRIC CO., LTD. All Rights Reserved.  
In case of consideration for using Automotive equipment / device which demand high reliability, kindly contact our sales window correspondents.

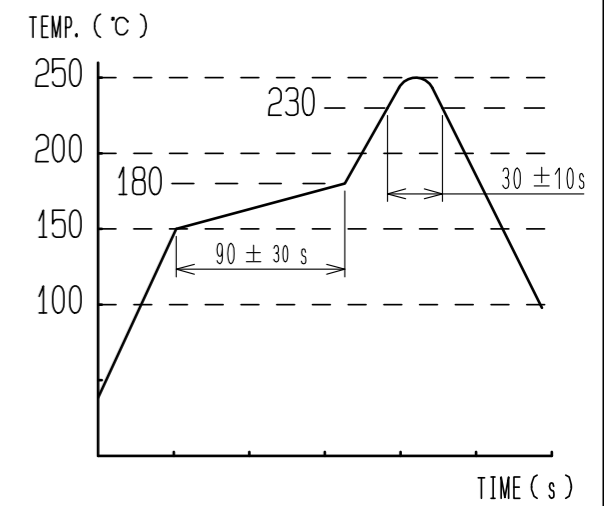
ELV, RoHS COMPLIANT



RECOMMENDED PCB PATTERN

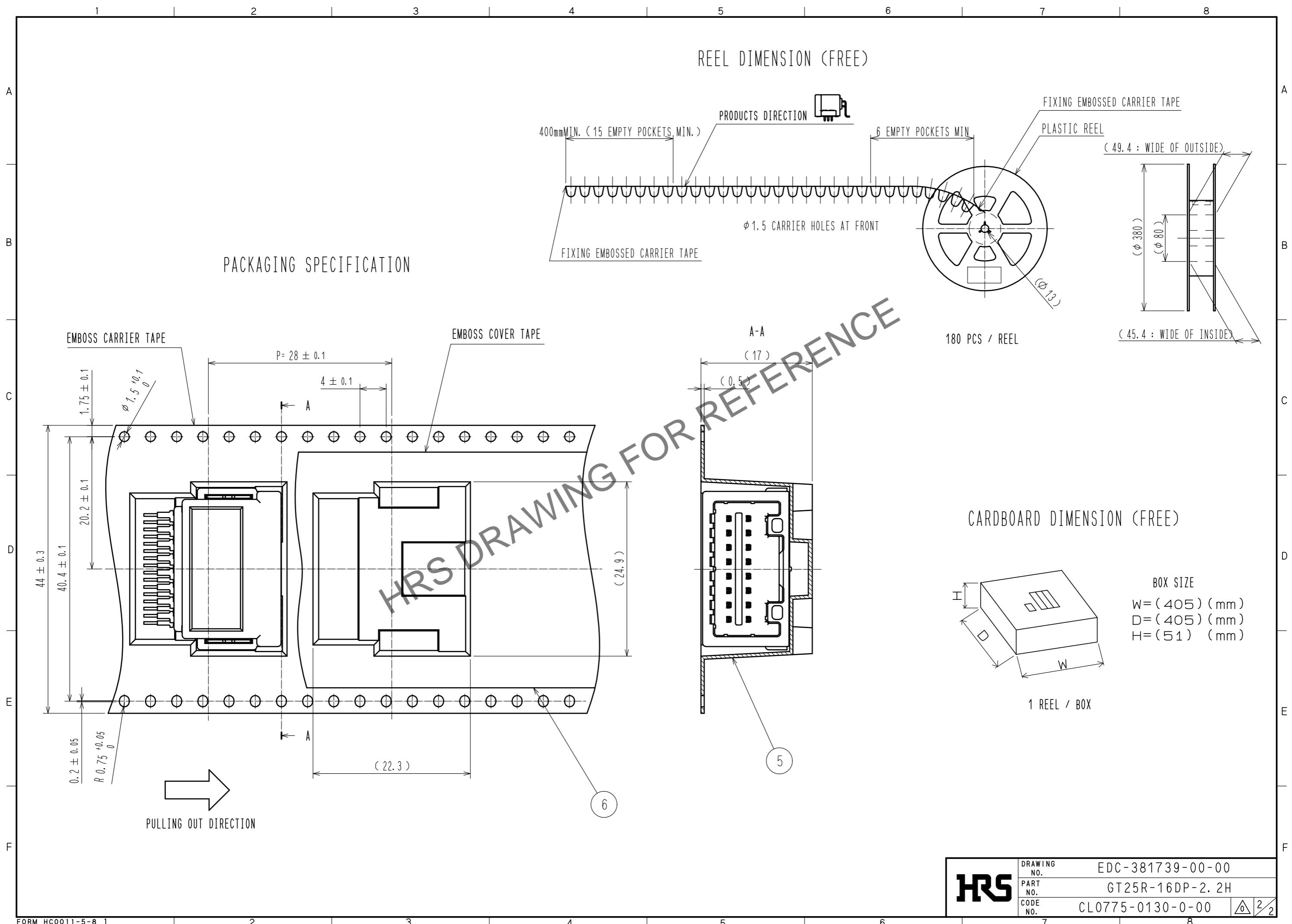


- NOTE1. RECOMMENDED TEMPERATURE PROFILE FOR REFLOW (REFER TO RIGHT FIG.)  
USED REFLOW SYSTEM : IR IN THE AIR OR NITROGEN  
NO. OF CYCLES : 2 MAX  
PEAK : 250°C  
OVER 230°C : 20~40s  
PREHEAT : 150~180°C  
60~120s
2. TEMPERATURE FOR SOLDERING IRON : 280~300°C WITHIN 2s
3. LEAD CO-PLANARITY SHALL BE 0.1mm MAX.
4. RECOMMENDED PCB THICKNESS IS 1.6mm
5. RECOMMENDED SOLDER THICKNESS IS 0.15mm.



3	BRASS	TIN PLATED	6	PET	
2	BRASS	TIN PLATED	5	PS	
1	PA	BLACK	4	BRASS	TIN PLATED
NO.	MATERIAL	FINISH . REMARKS	NO.	MATERIAL	FINISH . REMARKS
UNITS mm		SCALE 2 : 1	COUNT	DESCRIPTION OF REVISIONS	
DESIGNED		CHECKED		DATE	
APPROVED : HK. UMEHARA 20210728			DRAWING NO. EDC-381739-00-00		
CHECKED : HH. TSUKUMO 20210728			PART NO. GT25R-16DP-2. 2H		
DESIGNED : TY. IKEDA 20210728			CODE NO. CL0775-0130-0-00		
DRAWN : AN. SAIKI 20210728			1/2		

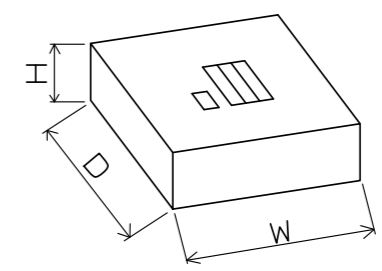
Mar.1.2024 Copyright 2024 HIROSE ELECTRIC CO., LTD. All Rights Reserved.  
 In case of consideration for using Automotive equipment / device which demand high reliability, kindly contact our sales window correspondents.



REEL DIMENSION (FREE)

PACKAGING SPECIFICATION

CARDBOARD DIMENSION (FREE)



BOX SIZE  
 W=(405) (mm)  
 D=(405) (mm)  
 H=(51) (mm)

1 REEL / BOX

<b>HRS</b>	DRAWING NO.	EDC-381739-00-00
	PART NO.	GT25R-16DP-2. 2H
	CODE NO.	CL0775-0130-0-00
		2/2