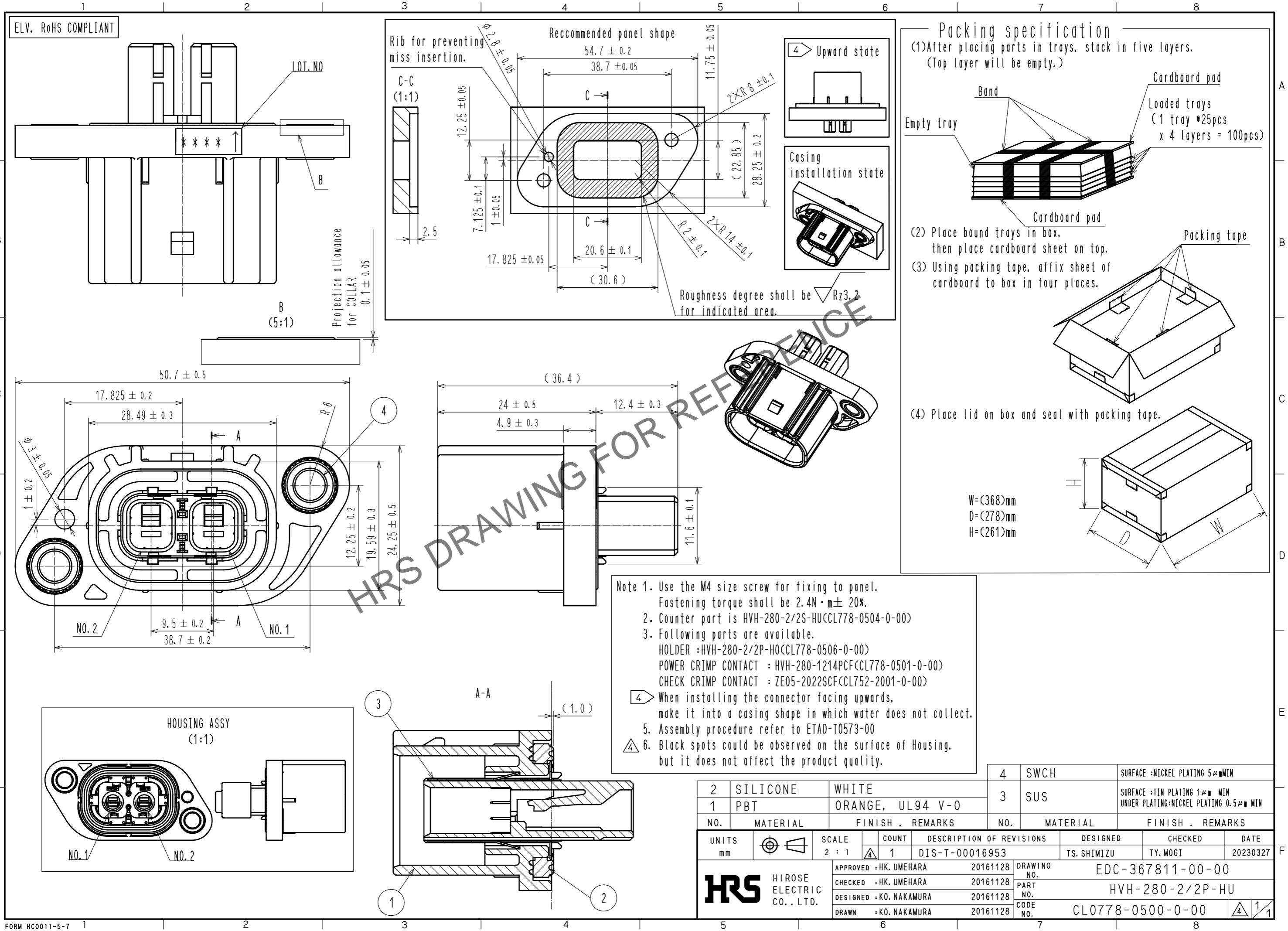


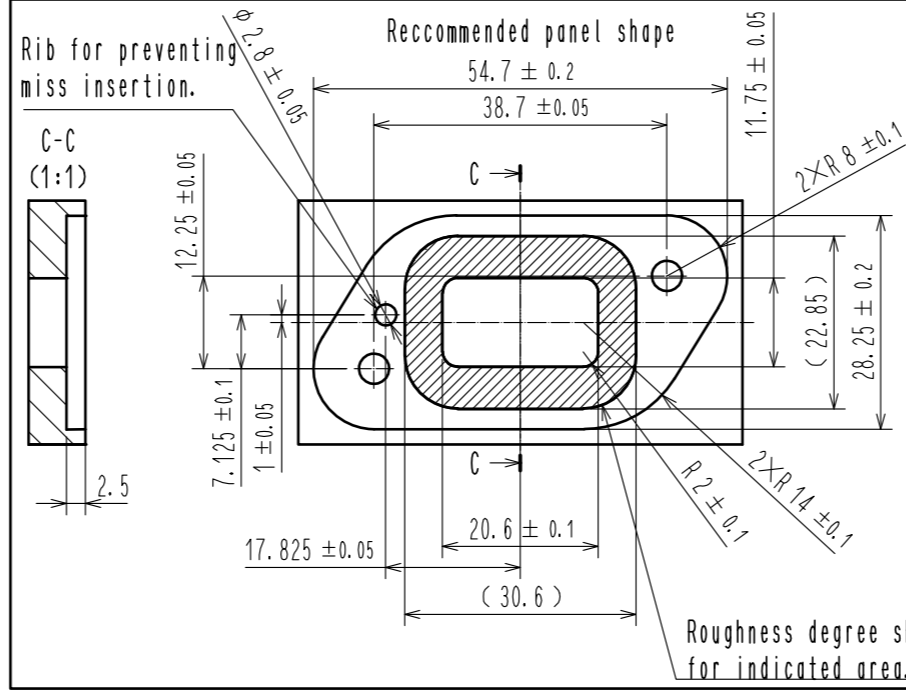
Mar.1.2025 Copyright 2025 HIROSE ELECTRIC CO., LTD. All Rights Reserved.  
In case of consideration for using Automotive equipment / device which demand high reliability, kindly contact our sales window correspondents.



ELV. RoHS COMPLIANT

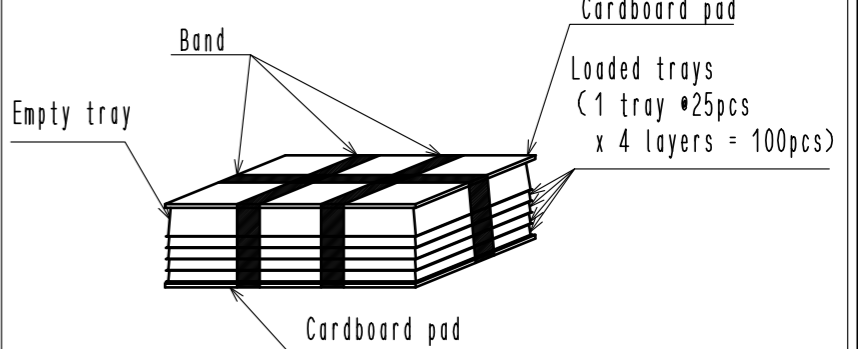
LOT.NO

B (5:1)



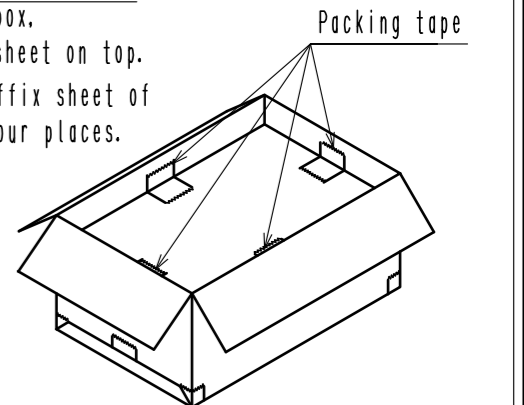
Packing specification

(1) After placing parts in trays, stack in five layers. (Top layer will be empty.)

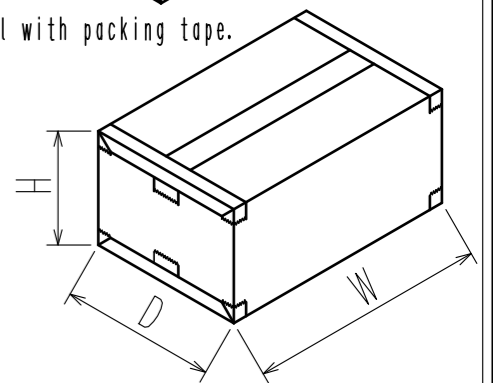


(2) Place bound trays in box, then place cardboard sheet on top.

(3) Using packing tape, affix sheet of cardboard to box in four places.



(4) Place lid on box and seal with packing tape.



W=(368)mm  
D=(278)mm  
H=(261)mm

Note 1. Use the M4 size screw for fixing to panel. Fastening torque shall be  $2.4N \cdot m \pm 20\%$ .

2. Counter part is HVH-280-2/2S-HU(CL778-0504-0-00)

3. Following parts are available.  
HOLDER : HVH-280-2/2P-HO(CL778-0506-0-00)  
POWER CRIMP CONTACT : HVH-280-1214PCF(CL778-0501-0-00)  
CHECK CRIMP CONTACT : ZE05-2022SCF(CL752-2001-0-00)

4 When installing the connector facing upwards, make it into a casing shape in which water does not collect.

5. Assembly procedure refer to ETAD-T0573-00

6. Black spots could be observed on the surface of Housing, but it does not affect the product quality.

2	SILICONE	WHITE	4	SWCH	SURFACE : NICKEL PLATING 5 $\mu$ m MIN
1	PBT	ORANGE, UL94 V-0	3	SUS	SURFACE : TIN PLATING 1 $\mu$ m MIN UNDER PLATING: NICKEL PLATING 0.5 $\mu$ m MIN
NO.	MATERIAL	FINISH . REMARKS	NO.	MATERIAL	FINISH . REMARKS
UNITS mm		SCALE 2 : 1	COUNT 1	DESCRIPTION OF REVISIONS DIS-T-00016953	DESIGNED TS. SHIMIZU
APPROVED : HK. UMEHARA		20161128		DRAWING NO. EDC-367811-00-00	
CHECKED : HK. UMEHARA		20161128		PART NO. HVH-280-2/2P-HU	
DESIGNED : KO. NAKAMURA		20161128		CODE NO. CL0778-0500-0-00	
DRAWN : KO. NAKAMURA		20161128		DATE 20230327	