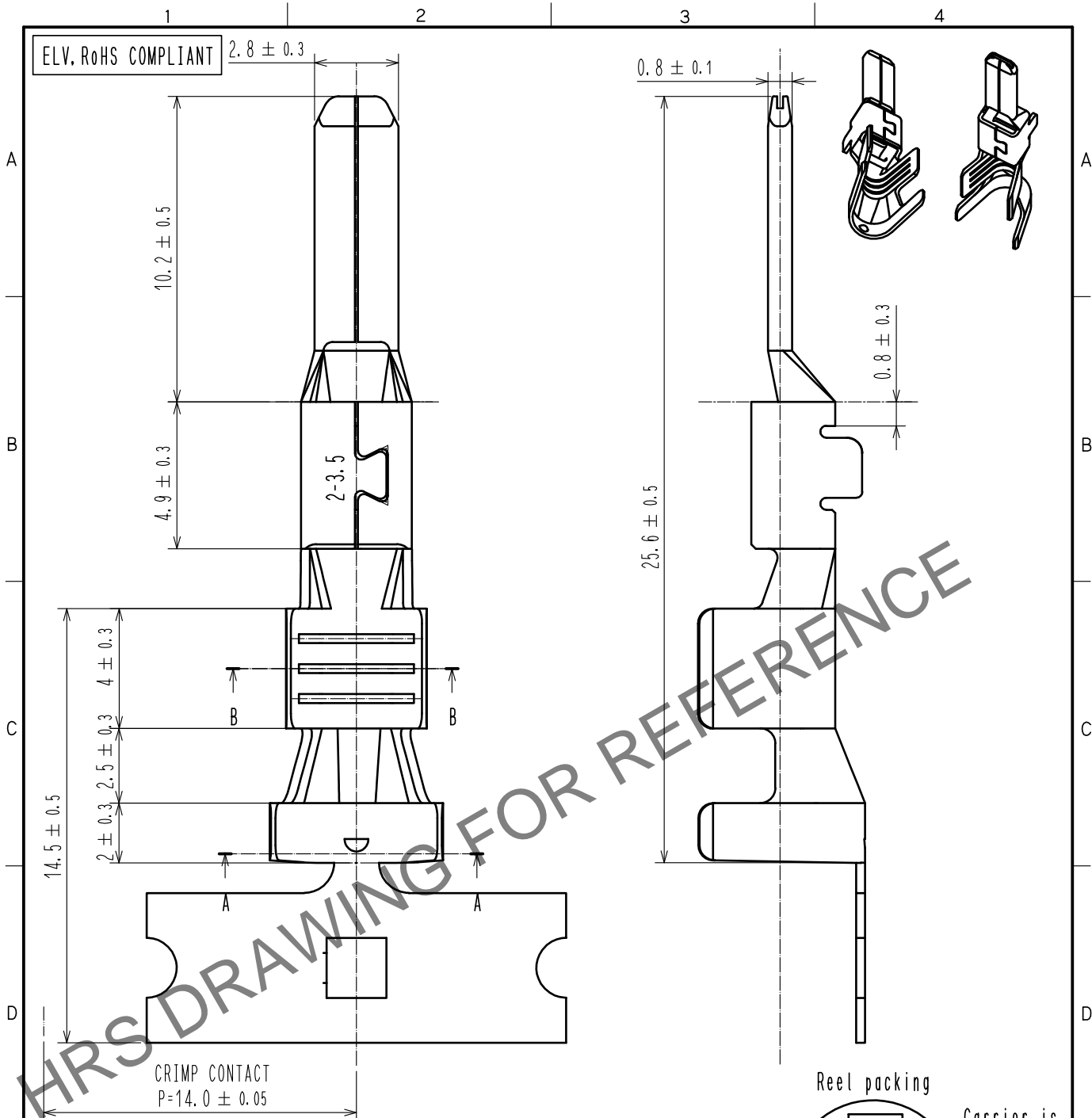
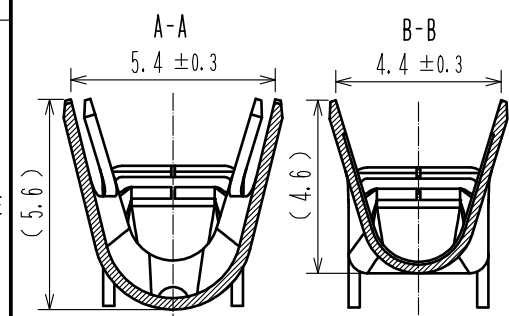


Mar.1.2025 Copyright 2025 HIROSE ELECTRIC CO., LTD. All Rights Reserved.
 In case of consideration for using Automotive equipment / device which demand high reliability, kindly contact our sales window correspondents.



HRS DRAWING FOR REFERENCE



Note 1. 2000PCS/RL . A box of 4RL.
 2. Assembly procedure refer to ETAD-T0573-00
 ⚠ 3. REGARDING HOW TO HANDLE THE PACKAGED PRODUCTS, PLEASE REFER TO THE ATAD-T0946-00 INSTRUCTION MANUAL FOR HANDLING OF REEL PACKAGING CONTAINING CRIMP TERMINALS J

1	COPPER ALLOY	SURFACE:TIN PLATING 1μm MIN UNDER PLATING NICKEL 0.5μm MIN	
NO.	MATERIAL	FINISH .	REMARKS
UNITS mm		SCALE 5 : 1	COUNT 1
DESCRIPTION OF REVISIONS DIS-T-00013628		DESIGNED AN. SAIKI	CHECKED HH. TSUKUMO
DATE 20220524		DRAWING NO. EDC-368755-00-00	
HIROSE ELECTRIC CO., LTD.		APPROVED :HK. UMEHARA	20161128
		CHECKED :HK. UMEHARA	20161128
		DESIGNED :KO. NAKAMURA	20161128
		DRAWN :KO. NAKAMURA	20161128
PART NO. HVH-280-1214PCF		CODE NO. CL0778-0501-0-00	
		1/1	