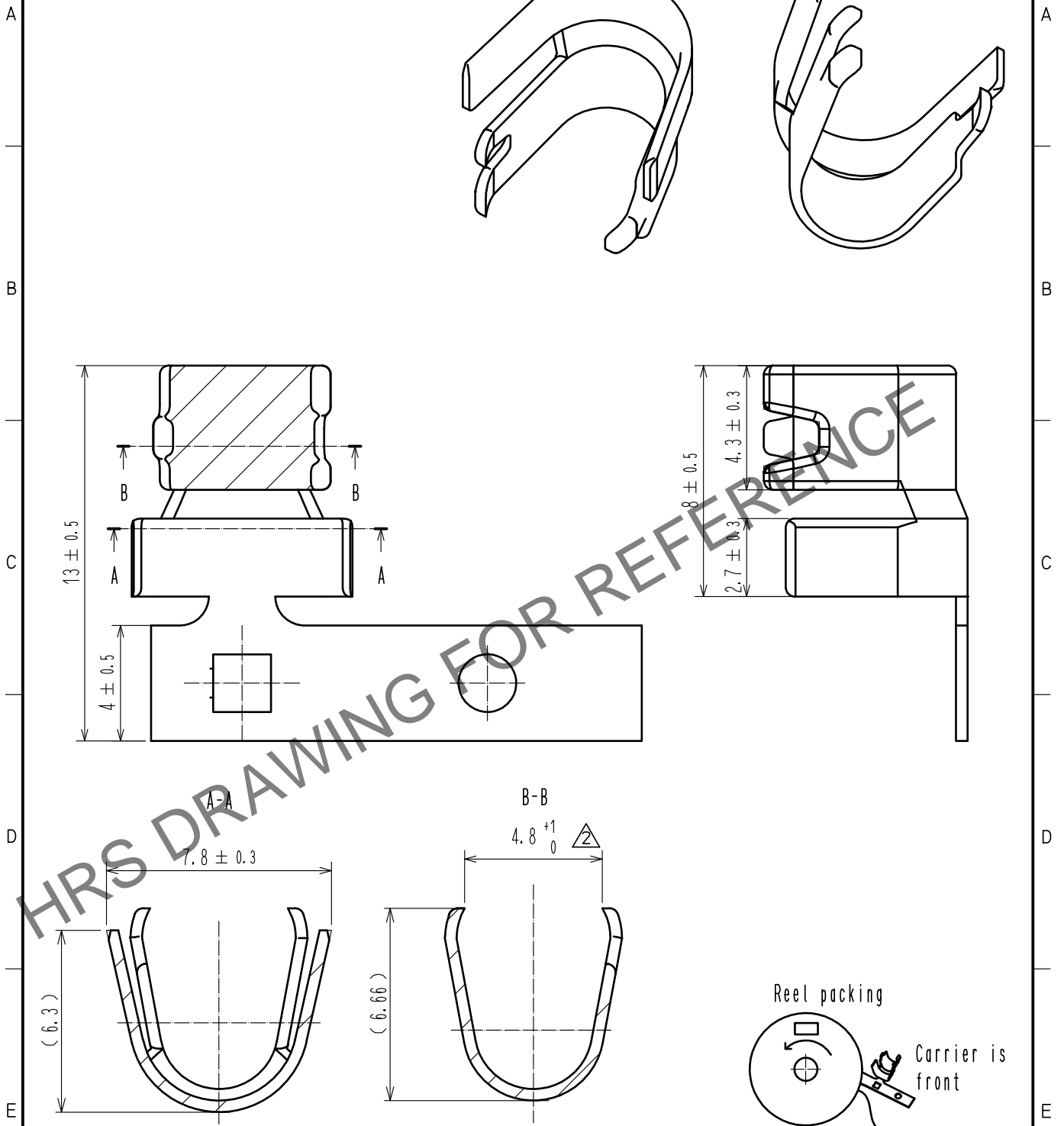


Mar.1.2025 Copyright 2025 HIROSE ELECTRIC CO., LTD. All Rights Reserved.
In case of consideration for using Automotive equipment / device which demand high reliability, kindly contact our sales window correspondents.

ELV, RoHS COMPLIANT



Note 1. 1400PCS/RL . A box of 4RL.
2. Assembly procedure refer to ETAD-T0574-00

| 1 | BRASS | SURFACE:TIN PLATING 1μm MIN UNDER PLATING:NICKEL 0.5μm MIN | 2 | - | - | | |
|--------------------------------------|----------|---|------------|--|--------------------------|-------------------------|--------------------|
| NO. | MATERIAL | FINISH . REMARKS | NO. | MATERIAL | FINISH . REMARKS | | |
| UNITS mm | | SCALE 5 : 1 | COUNT 1 | DESCRIPTION OF REVISIONS DIS-T-00003652 | DESIGNED KO. NAKAMURA | CHECKED AH. EDASHIGE | DATE 18. 08. 02 |
| HRS HIROSE ELECTRIC CO., LTD. | APPROVED | :HK. UMEHARA | 16. 11. 28 | DRAWING NO. | EDC-368757-00-00 | | |
| | CHECKED | :HK. UMEHARA | 16. 11. 28 | PART NO. | HVH-280-4. 2CF | | |
| | DESIGNED | :KO. NAKAMURA | 16. 11. 28 | CODE NO. | CL778-0503-0-00 | | 1/1 |
| | DRAWN | :KO. NAKAMURA | 16. 11. 28 | | | | |