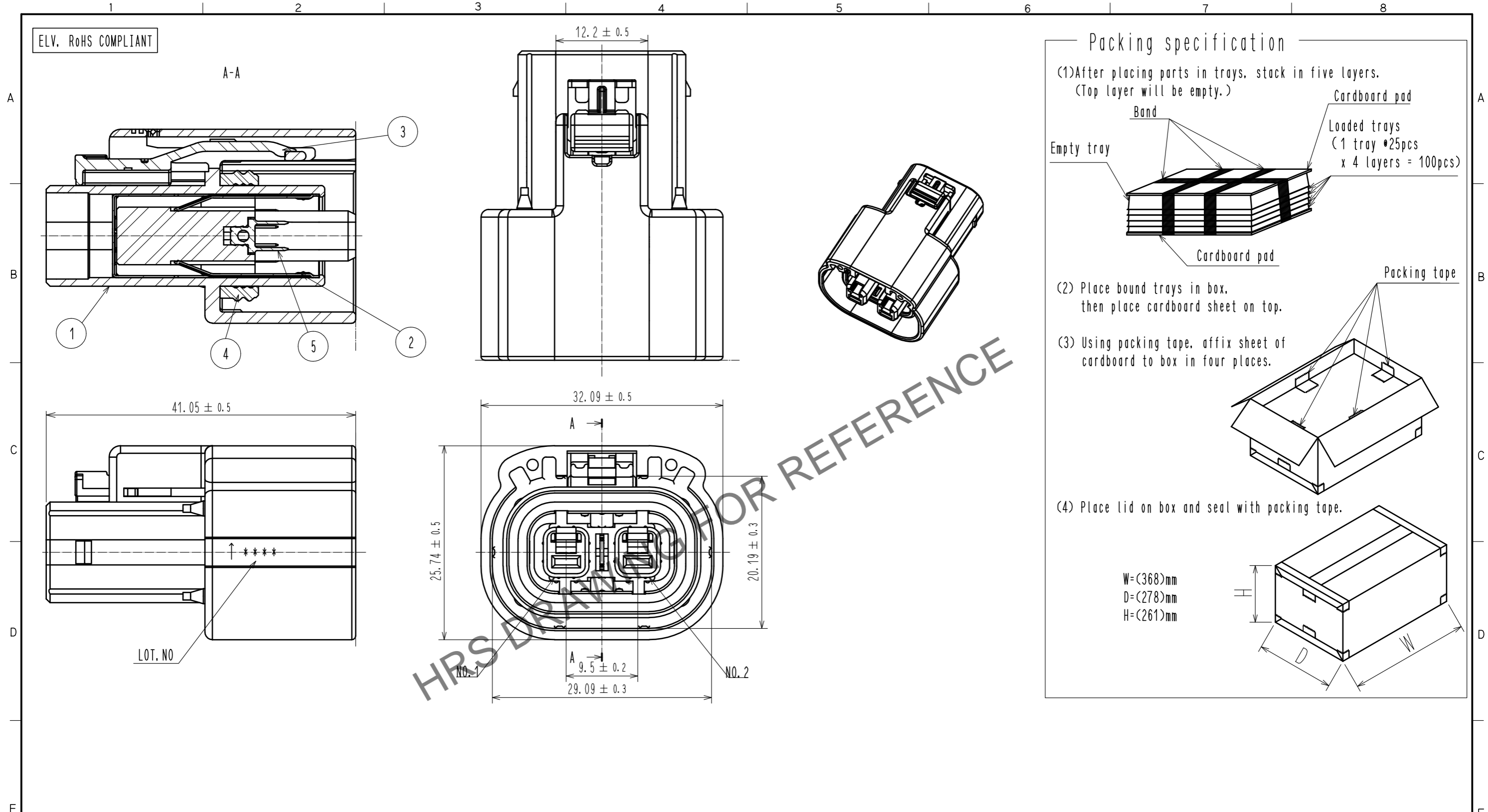
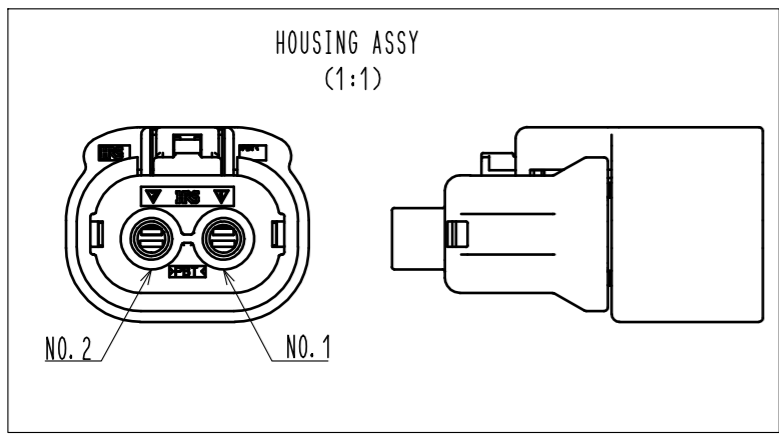


Mar.1.2025 Copyright 2025 HIROSE ELECTRIC CO., LTD. All Rights Reserved.
In case of consideration for using Automotive equipment / device which demand high reliability, kindly contact our sales window correspondents.

ELV. RoHS COMPLIANT



HRS DRAWING FOR REFERENCE



Note 1. Counter part is HVH-280-2/2P-HU(CL778-0500-0-00)
 2. Following parts are available.
 HOLDER : HVH-280-2/2S-HO(CL778-0507-0-00)
 WIRE SEAL: HVH-280-2/2S-WS(CL778-0505-0-00)
 POWER CRIMP CONTACT : HVH-280-1214SCF(CL778-0502-0-00)
 SHIELD CONTACT : HVH-280-4.2CF(CL778-0503-0-00)
 3. Assembly procedure refer to ETAD-T0574-00
 4. Black spots could be observed on the surface of Housing, but it does not affect the product quality.

NO.	MATERIAL	FINISH	REMARKS	NO.	MATERIAL	FINISH	REMARKS
3	PBT	RED.	UL94 V-0				
2	SUS	SURFACE:TIN PLATING 1μm MIN UNDER PLATING:NICKEL PLATING 0.5μm MIN		5	COPPER ALLOY	SURFACE:TIN PLATING 1μm MIN UNDER PLATING:NICKEL PLATING 0.5μm MIN	
1	PBT	ORANGE.	UL94 V-0	4	SILICONE	BLUE	

UNITS	SCALE	COUNT	DESCRIPTION OF REVISIONS	DESIGNED	CHECKED	DATE
mm	2 : 1	1	DIS-T-00016953	TS. SHIMIZU	TY. MOGI	20230327

APPROVED	CHECKED	DESIGNED	DRAWN	DRAWING NO.	PART NO.	CODE NO.
HK. UMEHARA	HK. UMEHARA	KO. NAKAMURA	KO. NAKAMURA	20161128	20161128	20161128
				EDC-369972-00-00		
				HVH-280-2/2S-HU		
				CL0778-0504-0-00		