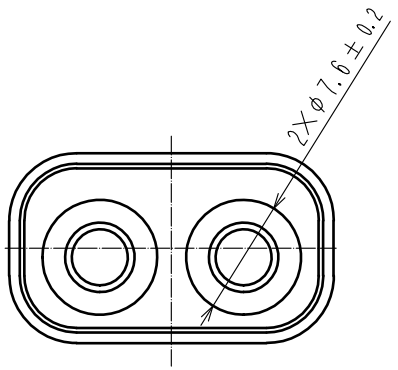
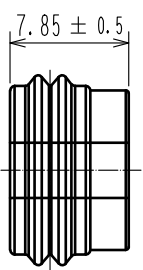
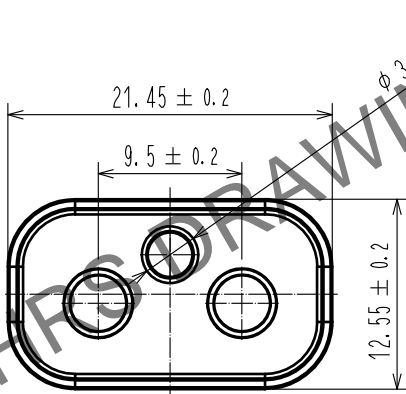
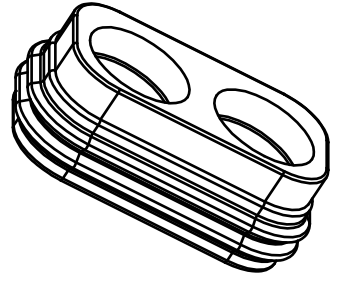
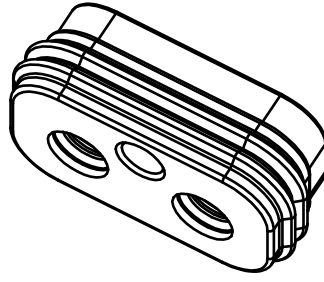


Mar.1.2025 Copyright 2025 HIROSE ELECTRIC CO., LTD. All Rights Reserved.
 In case of consideration for using Automotive equipment / device which demand high reliability, kindly contact our sales window correspondents.

ELV. RoHS COMPLIANT

A
B
C
D
E



Note 1. A pack of 100.
 2. Assembly procedure refer to ETAD-T0574-00.
 3. Applicable cable : φ5.0~5.4mm.

1	SILICONE	BENGAL RED	2	-	-		
NO.	MATERIAL	FINISH . REMARKS	NO.	MATERIAL	FINISH . REMARKS		
UNITS mm		SCALE 2 : 1	COUNT 1	DESCRIPTION OF REVISIONS DIS-T-00003683	DESIGNED TS. SHIMIZU	CHECKED AH. EDASHIGE	DATE 18. 08. 09
HIROSE ELECTRIC CO., LTD.		APPROVED :HK. UMEHARA	16. 11. 28	DRAWING NO.	EDC-370379-00-00		
		CHECKED :HK. UMEHARA	16. 11. 28	PART NO.	HVH-280-2/2S-WS		
		DESIGNED :KO. NAKAMURA	16. 11. 28	CODE NO.	CL778-0505-0-00		
		DRAWN :KO. NAKAMURA	16. 11. 28				

A
B
C
D
E
F