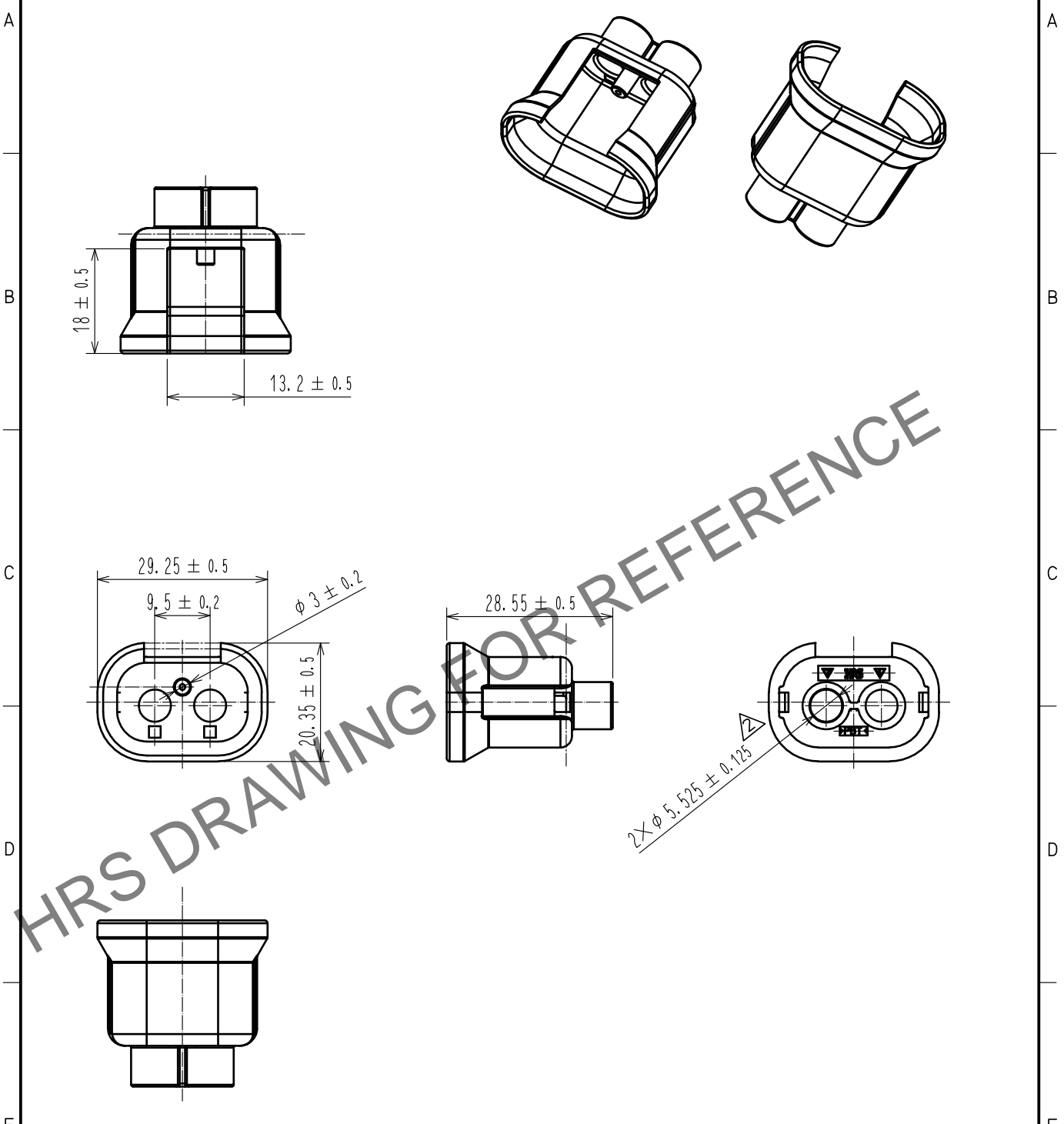


Mar.1.2025 Copyright 2025 HIROSE ELECTRIC CO., LTD. All Rights Reserved.  
 In case of consideration for using Automotive equipment / device which demand high reliability, kindly contact our sales window correspondents.

ELV, RoHS COMPLIANT



Note 1. A pack of 100.  
 2. Assembly procedure refer to ETAD-T0574-00.  
 3. Applicable cable :  $\phi 5.0 \sim 5.4\text{mm}$ .

1	PBT	BLACK, UL94 V-0	2	-	-
NO.	MATERIAL	FINISH . REMARKS	NO.	MATERIAL	FINISH . REMARKS
UNITS mm		SCALE 1 : 1	COUNT $\triangle$ 2	DESCRIPTION OF REVISIONS DIS-T-00003683	DESIGNED TS. SHIMIZU
HIROSE ELECTRIC CO., LTD.		APPROVED : HK. UMEHARA 16.11.28	DRAWING NO. EDC-370502-00-00		
		CHECKED : HK. UMEHARA 16.11.28	PART NO. HVH-280-2/2S-H0		
		DESIGNED : KO. NAKAMURA 16.11.28	CODE NO. CL778-0507-0-00		
		DRAWN : KO. NAKAMURA 16.11.28	$\triangle$ 1/1		