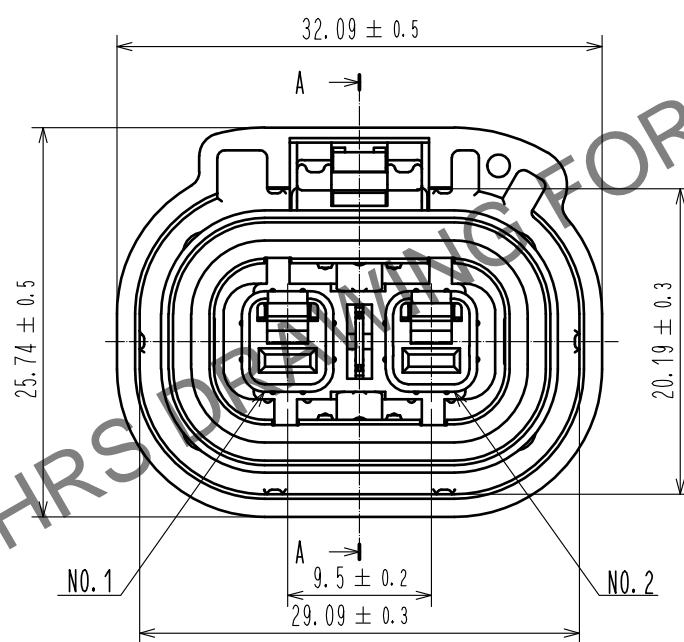
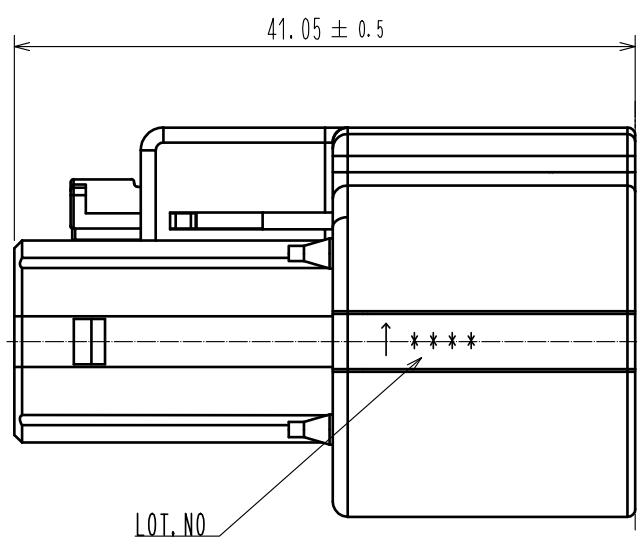
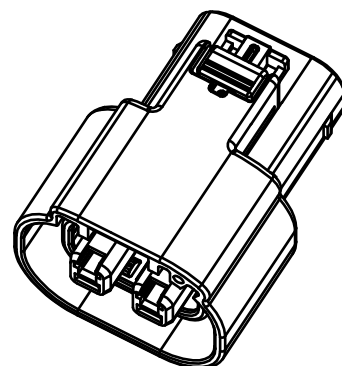
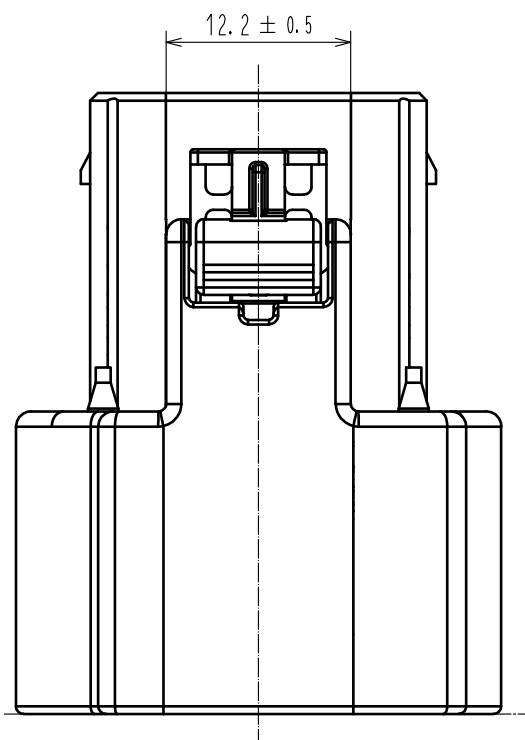
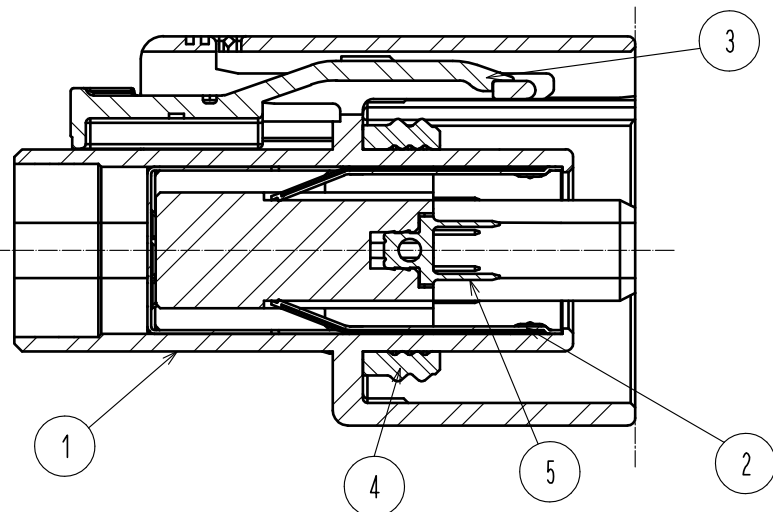


Mar.1.2025 Copyright 2025 HIROSE ELECTRIC CO., LTD. All Rights Reserved.  
In case of consideration for using Automotive equipment / device which demand high reliability, kindly contact our sales window correspondents.

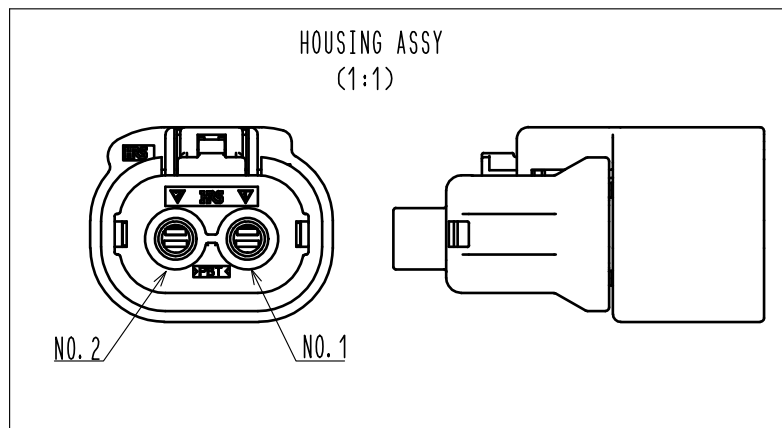
ELV. RoHS COMPLIANT

A-A



### Packing specification

- After placing parts in trays, stack in five layers. (Top layer will be empty.)  
  - Cardboard pad
  - Band
  - Empty tray
  - Loaded trays (1 tray #25pcs x 4 layers = 100pcs)
  - Cardboard pad
- Place bound trays in box, then place cardboard sheet on top.
- Using packing tape, affix sheet of cardboard to box in four places.
- Place lid on box and seal with packing tape.  
  - W=(368)mm
  - D=(278)mm
  - H=(261)mm



Note 1. Counter part is HVH-280-2/2P-HU(A)(CL778-0510-0-00)  
 2. Following parts are available.  
 HOLDER : HVH-280-2/2S-HO(CL778-0507-0-00)  
 WIRE SEAL: HVH-280-2/2S-WS(CL778-0505-0-00)  
 POWER CRIMP CONTACT : HVH-280-1214SCF(CL778-0502-0-00)  
 SHIELD CONTACT : HVH-280-4.2CF(CL778-0503-0-00)  
 3. Assembly procedure refer to ETAD-T0574-00  
 4. Black spots could be observed on the surface of Housing, but it does not affect the product quality.

| NO. | MATERIAL | FINISH .  | REMARKS  | NO. | MATERIAL     | FINISH .  | REMARKS |
|-----|----------|---|----------|-----|--------------|---|---------|
| 3   | PBT      | RED.  | UL94 V-0 |     |              |   |         |
| 2   | SUS      | SURFACE:TIN PLATING 1μm MIN<br>UNDER PLATING:NICKEL PLATING 0.5μm MIN |          | 5   | COPPER ALLOY | SURFACE:TIN PLATING 1μm MIN<br>UNDER PLATING:NICKEL PLATING 0.5μm MIN |         |
| 1   | PBT      | ORANGE.   | UL94 V-0 | 4   | SILICONE     | BLUE  |         |

| UNITS | SCALE | COUNT | DESCRIPTION OF REVISIONS | DESIGNED    | CHECKED  | DATE     |
|-------|-------|-------|--------------------------|-------------|----------|----------|
| mm    | 2 : 1 | 1     | DIS-T-00016953           | TS. SHIMIZU | TY. MOGI | 20230327 |

| APPROVED    | CHECKED      | DESIGNED    | DRAWN         | DRAWING NO.      | PART NO.           | CODE NO.         |
|-------------|--------------|-------------|---------------|------------------|--------------------|------------------|
| HK. UMEHARA | AH. EDASHIGE | TS. SHIMIZU | GYEONGMIN LEE | 20181003         | 20181003           | 20181003         |
|             |              |             |               | EDC-377220-00-00 | HVH-280-2/2S-HU(A) | CL0778-0508-0-00 |