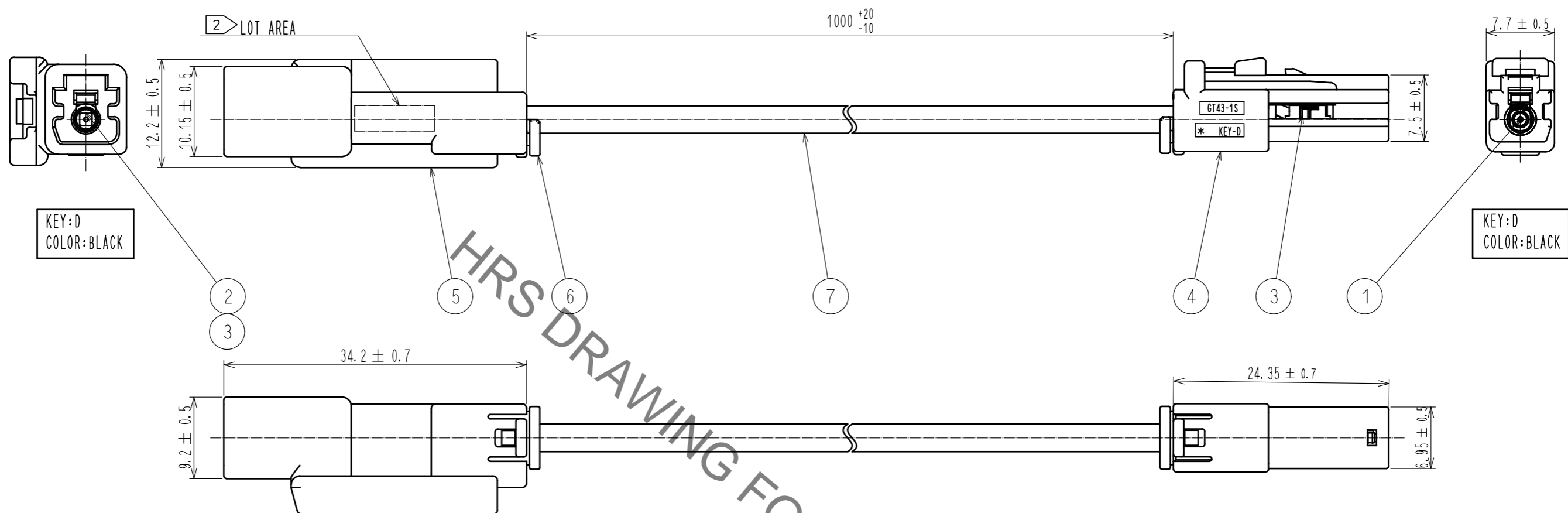


Mar.1.2023 Copyright 2023 HIROSE ELECTRIC CO., LTD. All Rights Reserved.
In case of consideration for using Automotive equipment / device which demand high reliability, kindly contact our sales window correspondents.

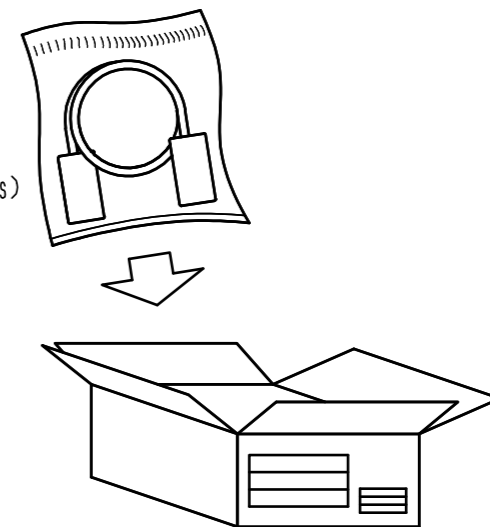
ELV, RoHS COMPLIANT



NOTE1. Packing method is as followings.

- (1) Pack harness products into PE bag. Maximum 10 pieces per bag.
Close the bag mouth with heat seal, cellophane tape etc.
 - (2) Pack the packed PE bag into cardboard.
Maximum 6 bags (Harness product maximum 60 pieces) per box.
Put cushioning material inside so that PE bag do not rattle inside the cardboard.
 - (3) Indicate the delivery destination name, part name, part number, quantity and lot number to the cardboard box.
- 2 Lot marking to the specified area.

PE bag (6 bags)
(10 pieces of products)



4	GT43-1S-HU(D)	CL0753-1010-0-00			
3	GT43-1P/S-CSB	CL0753-1005-0-00	7	CABLE	Shikoku Cable 1.5DS-QEHB
2	GT43-2428/1.6-2.9PCF	CL0753-1004-0-00	6	GT43-1P/S-R	CL0753-1007-0-00
1	GT43-2428/1.6-2.9SCF	CL0753-1003-0-00	5	GT43-1PP-HU(D)	CL0753-1006-0-00
NO.	MATERIAL	FINISH . REMARKS	NO.	MATERIAL	FINISH . REMARKS
UNITS mm		SCALE FREE	COUNT	DESCRIPTION OF REVISIONS	
				DESIGNED	CHECKED
APPROVED : KI. HIROKAWA 20210330			DRAWING NO. EDC-395729-00-00		
CHECKED : MO. OKADA 20210330			PART NO. WGT43GT43-1192		
DESIGNED : KN. MIKAMI 20210330			CODE NO. CL0781-1192-0-00		
DRAWN : HR. IWAI 20210330					