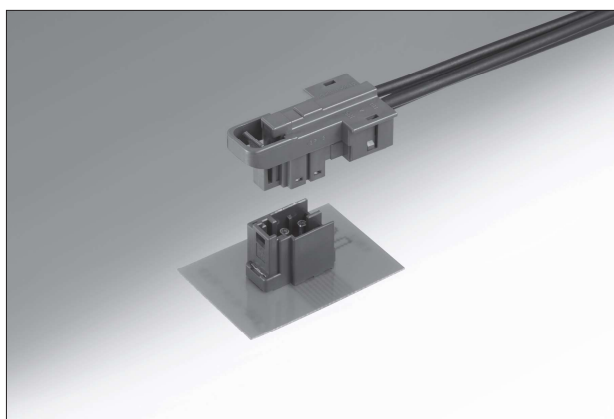


GT36 Series

— Board Straight, Cable Side Right Angle Coaxial Connector —



■ Features

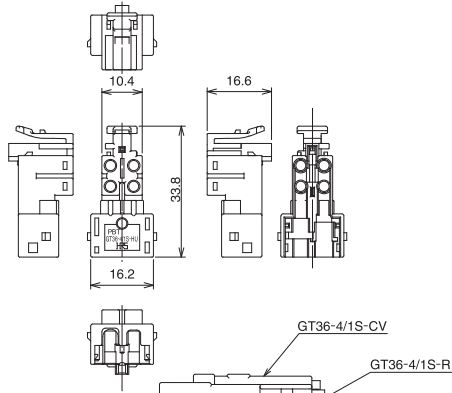
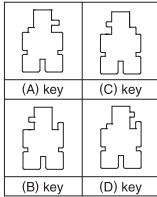
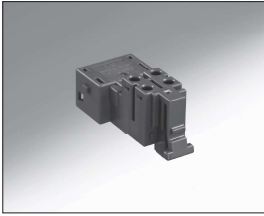
- Supported frequency range DC to 2.5 GHz
- Board connector straight type/Cable connector right-angle type

■ Applications

Various antennas within the DC to 2.5 GHz frequency range

Apr. 1, 2024. Copyright 2024 HIROSE ELECTRIC CO., LTD. All Rights Reserved.

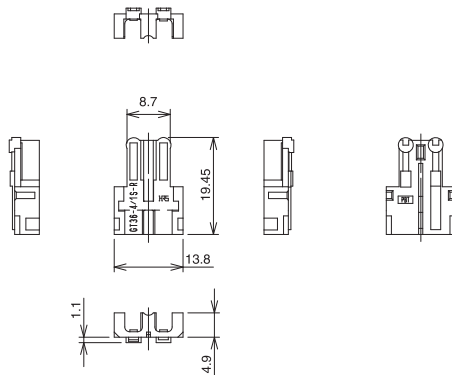
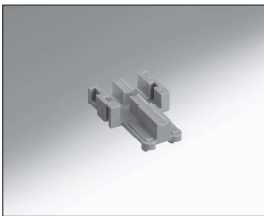
■ Housing for F Connector (4 Coaxial)



Shown with retainer and cover attached.

Part No.	HRS No.	Material	Color	Key position	Sales unit	RoHS
GT36-4/1S-HU(A)-A	786-0065-0	PBT	Brown	(A)	1	○
GT36-4/1S-HU(B)-A	786-0066-2		Green	(B)		
GT36-4/1S-HU(C)-A	786-0067-5		Blue	(C)		
GT36-4/1S-HU(D)-A	786-0068-8		Black	(D)		

■ Retainer for F Connector

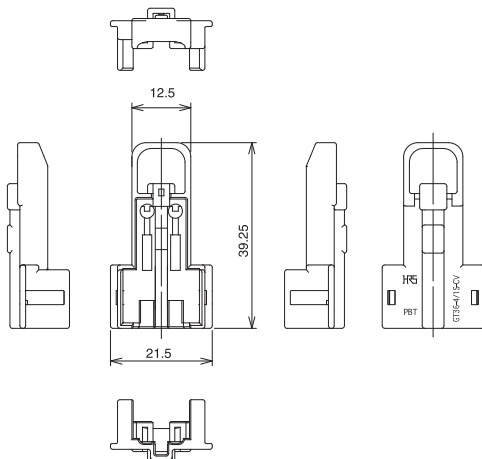


Part No.	HRS No.	Material	Color	Sales unit	RoHS
GT36-4/1S-R-A	786-0069-0	PBT	Light gray	1	○

GT5
GT13
GT16
GT19
GT21
GT36
GT43
GT17
GT32
GT25
KM37
ZE05
ZG05L2
HM-H200
ZE64W
H2071L
FX26
DF40
DF40GL
FH28K
FH52K
FH65
FH40
FH63
FH67

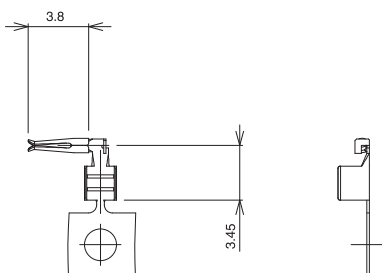
Apr. 1.2024 Copyright 2024 HIROSE ELECTRIC CO., LTD. All Rights Reserved.

■ Cover for F Connector



Part No.	HRS No.	Material	Color	Sales unit	RoHS
GT36-4/1S-CV-A	786-0070-0	PBT	Dark gray	1	○

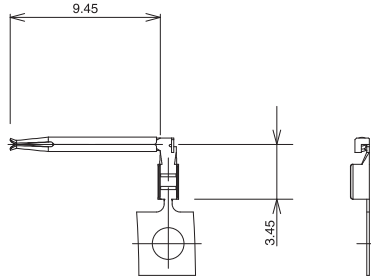
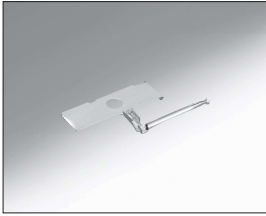
■ Center Terminal for F Connector (Short)



Part No.	HRS No.	Material / Finish or color	Applicable wire	Sales unit	RoHS
GT36A-2022SCF	786-0028-3	Center terminal : Phosphor bronze /Tin plating	2.5D-2V	12,000 pcs/reel	○
GT36-2428SCF	786-0001-7		1.5D-2V	13,000 pcs/reel	

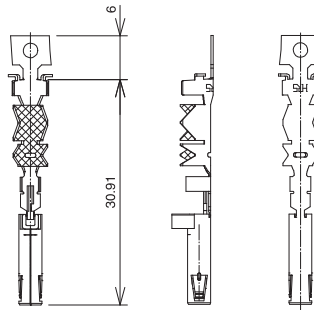
GT5
 GT13
 GT16
 GT19
 GT22
 GT25
 GT28
 GT31
 GT33
 GT36
 GT39
 GT42
 GT45
 GT48
 GT51
 GT54
 GT57
 GT60
 GT63
 GT66
 GT69
 GT72
 GT75
 GT78
 GT81
 GT84
 GT87
 GT90
 GT93
 GT96
 GT99
 FH65
 FH40
 FH40
 FH35
 FH67

Center Terminal for F Connector (Long)



Part No.	HRS No.	Material / Finish or color	Applicable wire	Sales unit	RoHS
GT36-2428SCF(A)	786-0010-8	Center terminal : Phosphor bronze /Tin plating	1.5D-2V	9,000 pcs/reel	○
GT36-30SCF(ID)(A)	786-0042-4		1.5C-2V (single wire)	12,000 pcs/reel	

Outer Terminal for F Connector (Long)

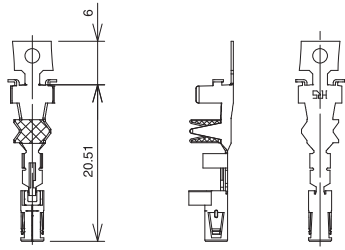


Part No.	HRS No.	Material / Finish or color	Applicable wire	Sales unit	RoHS
GT36-1.6-2.9SCF(A)-B	786-0114-0	Insulator : PBT/Dark gray Outer terminal : Brass/Tin plating	1.5D-2V	6,500 pcs/reel	○

GT5
GT13
GT16
GT19
GT21
GT36
GT43
GT17
GT32
GT25
KM37
ZE05
ZG05J2
HM-H-200
ZE64W
H307L
FX26
DF40
DF40GL
FH28K
FH2K
FH5
FH40
FH63
FH67

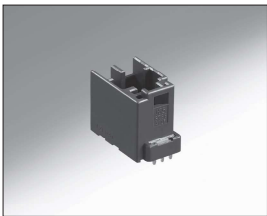
Apr. 1.2024 Copyright 2024 HIROSE ELECTRIC CO., LTD. All Rights Reserved.

Outer Terminal for F Connector (Short)

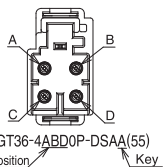
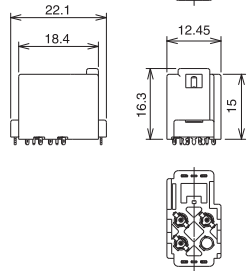
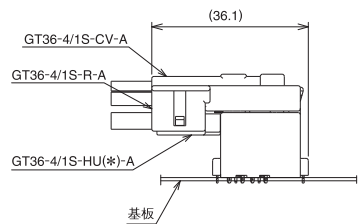


Part No.	HRS No.	Material / Finish or color	Applicable wire	Sales unit	RoHS
GT36-3.3-3.8SCF	786-0005-8	Insulator : PBT/Dark gray Outer terminal : Brass/Tin plating	2.5D-2V	5,000 pcs/reel	○
GT36-1.6-2.9SCF	786-0003-2		1.5D-2V	3,000 pcs/reel	

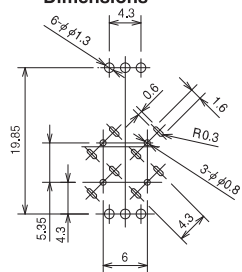
Board Connector (4 Coaxial)



◆ Mated connector



◆ Recommended Board Dimensions



Part No.	HRS No.	Material	Color	Sales unit	RoHS
GT36-4ABD0P-DSAA(55)	786-0011-0 55	PA	Brown	200 pcs/reel	○
GT36-4A0P-DSAC(55)	786-0012-3 55		Blue		
GT36-4D0P-DSAC(55)	786-0013-6 55		Green		
GT36-4BD0P-DSAB(55)	786-0014-9 55				

*Applicable board thickness: T = 0.8 mm.

◆ Crimping Tools

Please ask your Hirose Electric account representative for a user manual.

Automatic Crimping Machine



Photo for reference only.
Subject to change.

Specifications

Item	Specifications	Remarks
Press capacity	1,5tons	
Stroke length	30mm	
Number of strokes	200spm (50Hz)	200spm (60Hz)
Weight	75kg	
Motor	0.2kW	AC100V
Crimping speed	2,000~4,000/H	

Part No. CM-105C

*Terminal crimp height setting tables are available for each cable type.

Please contact your nearest Hirose Electric account representative.

*Applicator required for each cable.

Applicator (for Mounting to Automatic Crimping Machines)

Contact Product No.	Contact HRS No.	Tool No.	Tool HRS No.
GT36A-2022SCF	786-0028-3	AP105-GT36A-2022S	901-5220-4
GT36-2428SCF	786-0001-7	AP105-GT36-2428S	901-5220-0
GT36-2428SCF(A)	786-0010-8	AP105-GT36-2428S(A)	901-5212-6
GT36-30SCF(ID)(A)	786-0042-4	AP105-GT36-30SI(A)	901-5225-8
GT36-3,3~3,8SCF	786-0005-8	GT36-3338S/CK-AD	902-5113-0
GT36-1,6~2,9SCF	786-0003-2	GT36-1629S/CK-AD	902-5116-9
GT36-1,6~2,9SCF(A)	786-0004-5	GT36-1629S(A)/CK-AD	902-5112-8

Please refer to our cable termination procedure manual for performing terminations.