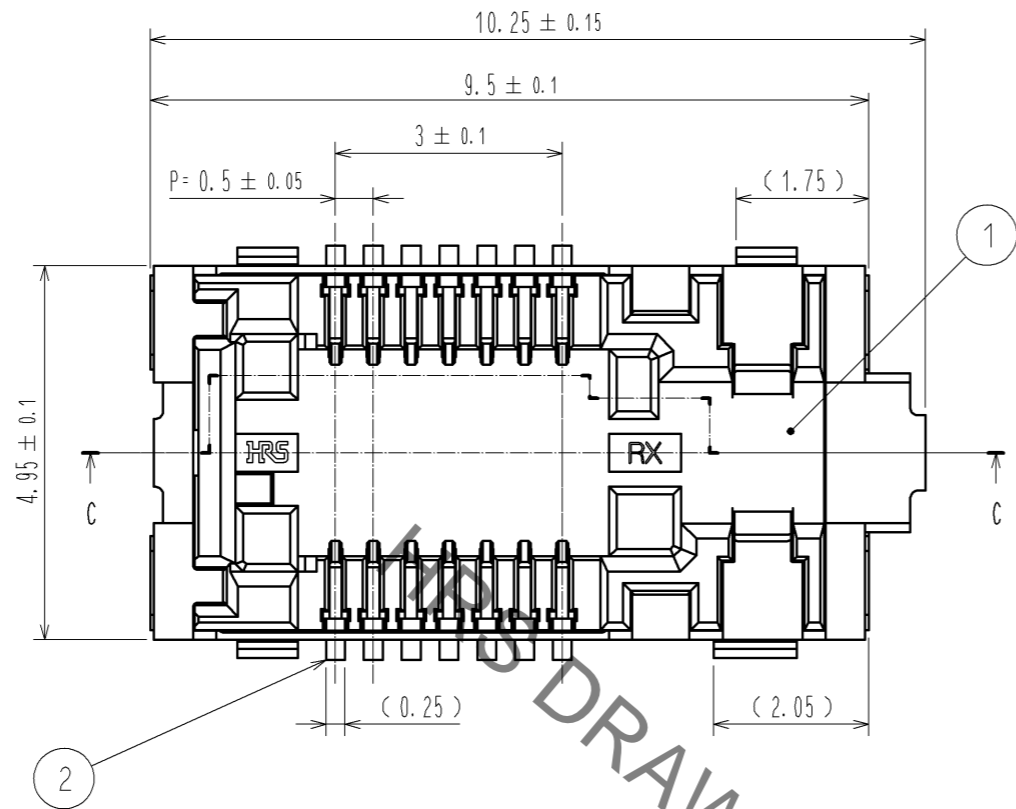
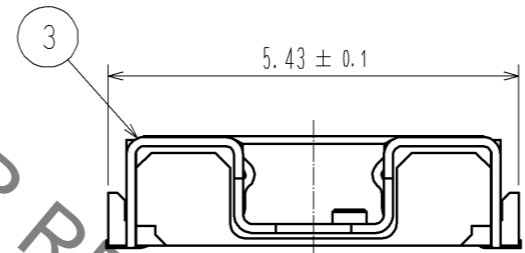
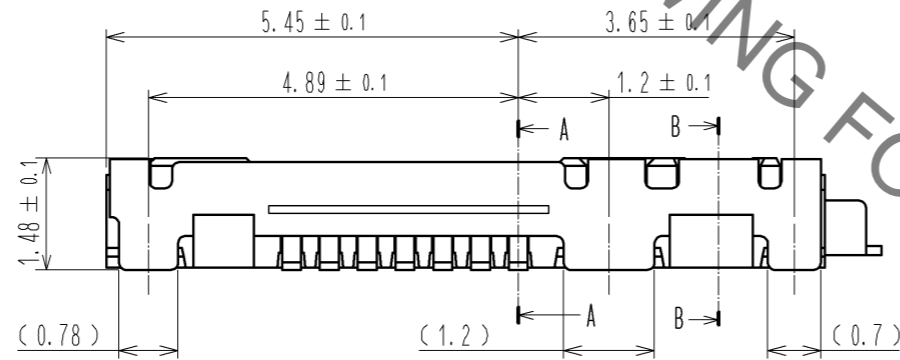
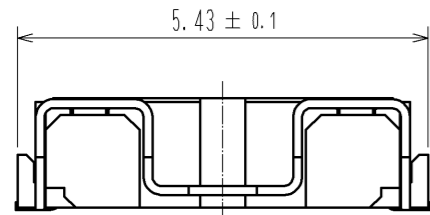


Feb.1.2023 Copyright 2023 HIROSE ELECTRIC CO., LTD. All Rights Reserved.
In case of consideration for using Automotive equipment / device which demand high reliability, kindly contact our sales window correspondents.

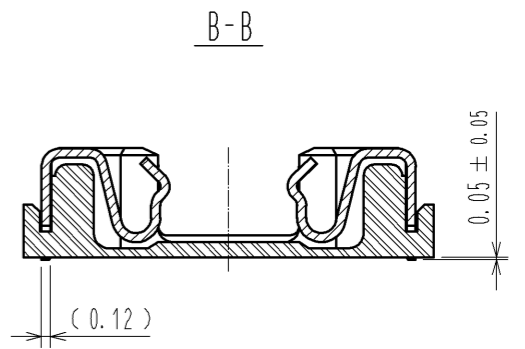
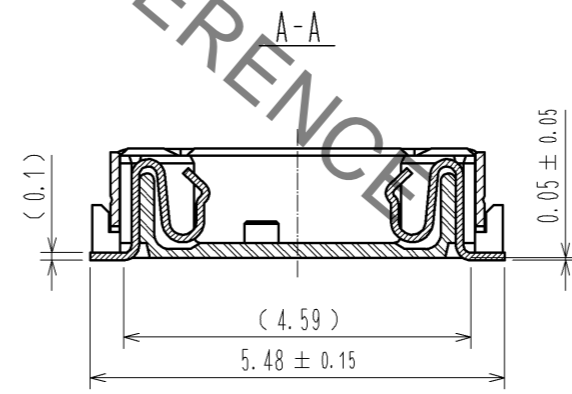
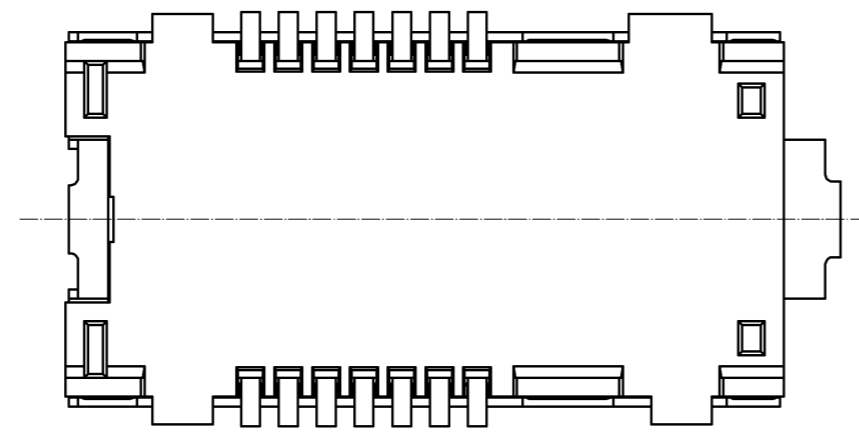


- NOTE 1 All lead co-planarity shall be 0.1mm maximum.
- ② Contact plating
 - Contact area :Gold 0.05um MIN
 - SMT lead :Gold 0.05um MIN
 - Under plating:Nickel 1um MIN
 There shall be the nickel barrier between contact and SMT area.
 - ③ Shell plating
 - All area :Gold 0.05um MIN
 - Under plating:Nickel 1um MIN 2um MAX
 - 4 The peeling strength of cover tape shall comply with IEC 60286-3 (JIS C0806-3).
 - 5 Embossed carrier tape has the sprocket hole on one side.
 - ⑥ Recommended land pattern is shown. Please do not arrange the via without resist in the hatching part as shown in the figure.
 - ⑦ The connector dimension when the plug engages is shown.
 - ⑧ Please note that it becomes impossible to use standard extraction tool (BF4-T1) when other parts are in the crossing hatching part as shown in the figure.
 - 9 Please layout the PCB pattern and fiber alignment, considering not to overload fiber. (Please see ETAD-K0398 about connector handling precautions.)
 - ⑩ Pin assignment and functions are described in the specification of BF4M plug connector (ETAD-K0485)
 - ⑪ Please see drawing EDC3-178304-10 for 10pcs packing product BF4-RX-14DS-0.5V(10).



Part No. & Code No. corresponding to the quantity

Quantity	Part No.	Code No.
500 pcs.	BF4-RX-14DS-0.5V	CL0831-0009-9-00
1,000 pcs.	BF4-RX-14DS-0.5V(01)	CL0831-0009-9-01
2,000 pcs.	BF4-RX-14DS-0.5V(02)	CL0831-0009-9-02
⑪ 10 pcs.	BF4-RX-14DS-0.5V(10)	CL0831-0009-9-10
③ 100 pcs.	BF4-RX-14DS-0.5V(11)	CL0831-0009-9-11



NO.	MATERIAL	FINISH	REMARKS	NO.	MATERIAL	FINISH	REMARKS
3	Phosphor Bronze	③		6	PS		BLACK (Plastic reel)
2	Phosphor Bronze	②		5	POLYESTER		CLEAR (Cover tape)
1	LCP		UL94 V-0	4	PS		CLEAR (Embossed carrier tape)

UNITS	SCALE	COUNT	DESCRIPTION OF REVISIONS	DESIGNED	CHECKED	DATE
mm	10 : 1	③ 1	DIS-K-003044	KS. JOKURA	SJ. SHIMIZU	13.08.23

APPROVED	DATE	DRAWING NO.
MT. SHIBUTANI	12.11.15	EDC3-178302-00
CHECKED	DATE	PART NO.
SJ. SHIMIZU	12.11.15	BF4-RX-14DS-0.5V(**)
DESIGNED	DATE	CODE NO.
KS. JOKURA	12.11.15	
DRAWN	DATE	
KS. JOKURA	12.11.15	

