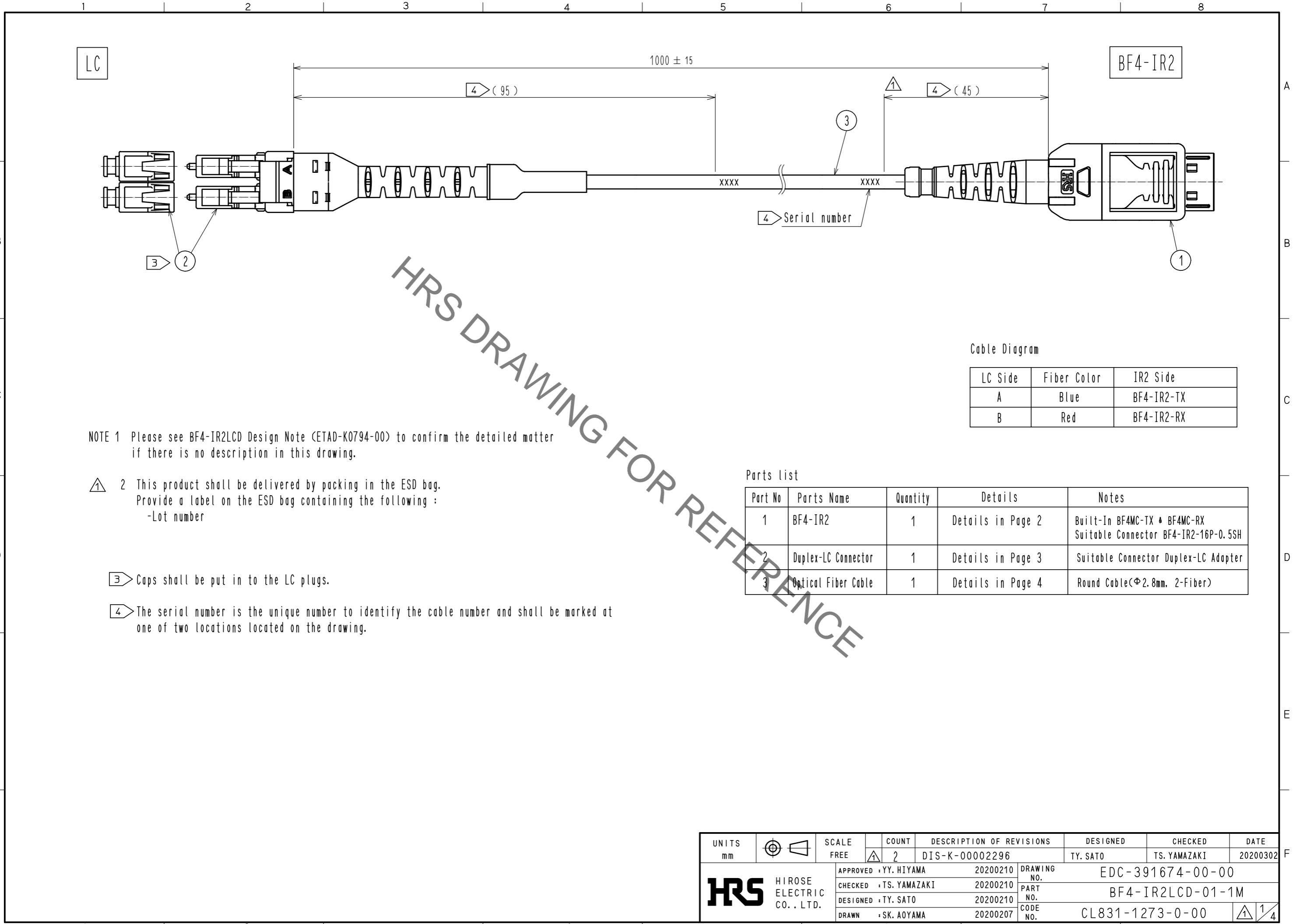


Mar.1.2021 Copyright 2021 HIROSE ELECTRIC CO., LTD. All Rights Reserved.
In case of consideration for using Automotive equipment / device which demand high reliability, kindly contact our sales window correspondents.



Cable Diagram

LC Side	Fiber Color	IR2 Side
A	Blue	BF4-IR2-TX
B	Red	BF4-IR2-RX

NOTE 1 Please see BF4-IR2LCD Design Note (ETAD-K0794-00) to confirm the detailed matter if there is no description in this drawing.

△ 2 This product shall be delivered by packing in the ESD bag. Provide a label on the ESD bag containing the following :
-Lot number

③ Caps shall be put in to the LC plugs.

④ The serial number is the unique number to identify the cable number and shall be marked at one of two locations located on the drawing.

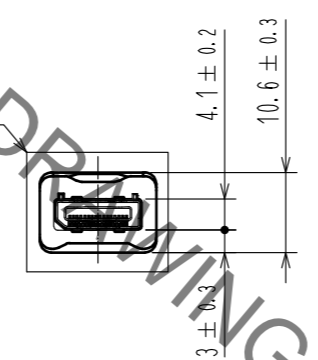
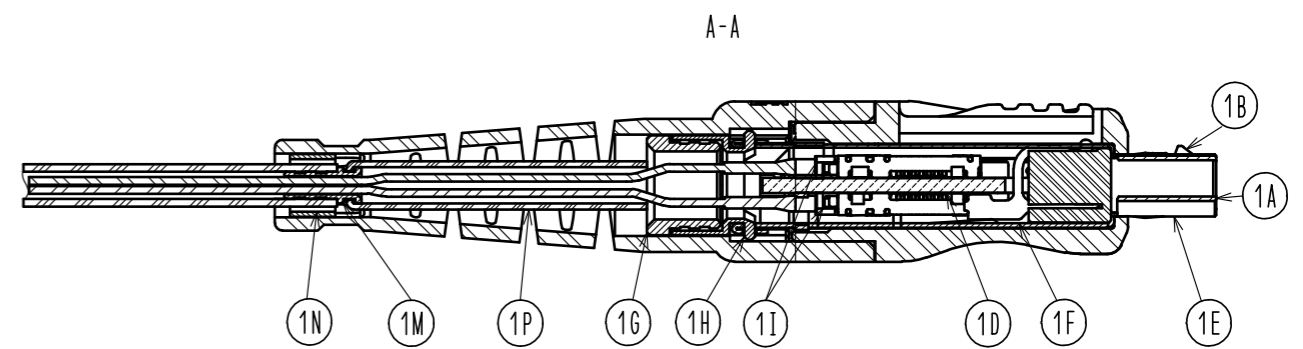
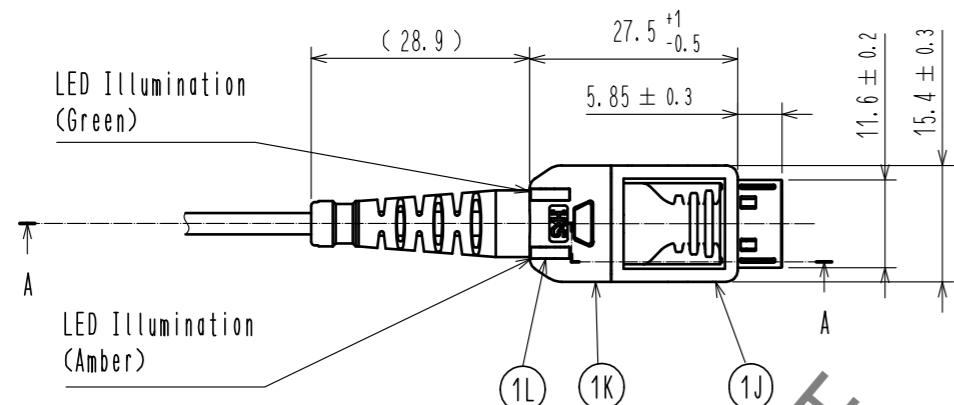
Parts list

Part No	Parts Name	Quantity	Details	Notes
1	BF4-IR2	1	Details in Page 2	Built-In BF4MC-TX • BF4MC-RX Suitable Connector BF4-IR2-16P-0.5SH
2	Duplex-LC Connector	1	Details in Page 3	Suitable Connector Duplex-LC Adapter
3	Optical Fiber Cable	1	Details in Page 4	Round Cable(Φ2.8mm, 2-Fiber)

UNITS mm	SCALE FREE	COUNT 2	DESCRIPTION OF REVISIONS DIS-K-00002296	DESIGNED TY. SATO	CHECKED TS. YAMAZAKI	DATE 20200302
				APPROVED : YY. HIYAMA 20200210		
 HIROSE ELECTRIC CO., LTD.	DRAWING NO.		EDC-391674-00-00			
	PART NO.		BF4-IR2LCD-01-1M			
	CODE NO.		CL831-1273-0-00			
	DRAWN : SK. AOYAMA 20200207		DRAWING NO.		EDC-391674-00-00	

Mar.1.2021 Copyright 2021 HIROSE ELECTRIC CO., LTD. All Rights Reserved.
In case of consideration for using Automotive equipment / device which demand high reliability, kindly contact our sales window correspondents.

Details of BF4-IR2



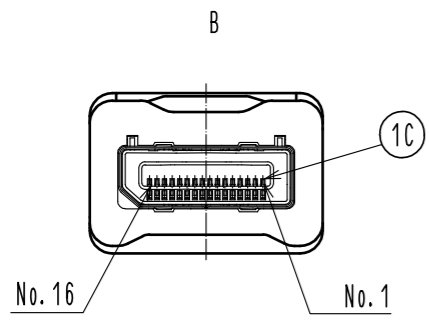
Parts List

Part No	Parts Name	Qty/IR2	Material
1A	S Housing	1	PA (Black)
1B	S Lock Spring	2	Stainless Steel (Au Plating)
1C	S Contact	16	Copper Alloy (Au Plating)
1D	PCBA	1	Including BF4 Receptacles
1E	Shield Shell A	1	Stainless Steel (Ni Plating)
1F	Shield Shell B	1	Stainless Steel (Ni Plating)
1G	Ring	1	Brass (Ni Plating)
1H	Fixed Ring	1	Aluminium
1I	BF4 Plug	2	—
1J	S Cover Case A	1	PBT (Black)
1K	S Cover Case B	1	Polyester Elastomer (Blue)
1L	Light Guiding Pipe	2	PC (Transparent)
1M	Cable Clamper	1	Brass (Ni Plating)
1N	Clamping Ring	1	Brass (Ni Plating)
1P	Heat Shrink Tubing	1	Polyolefin (Black)

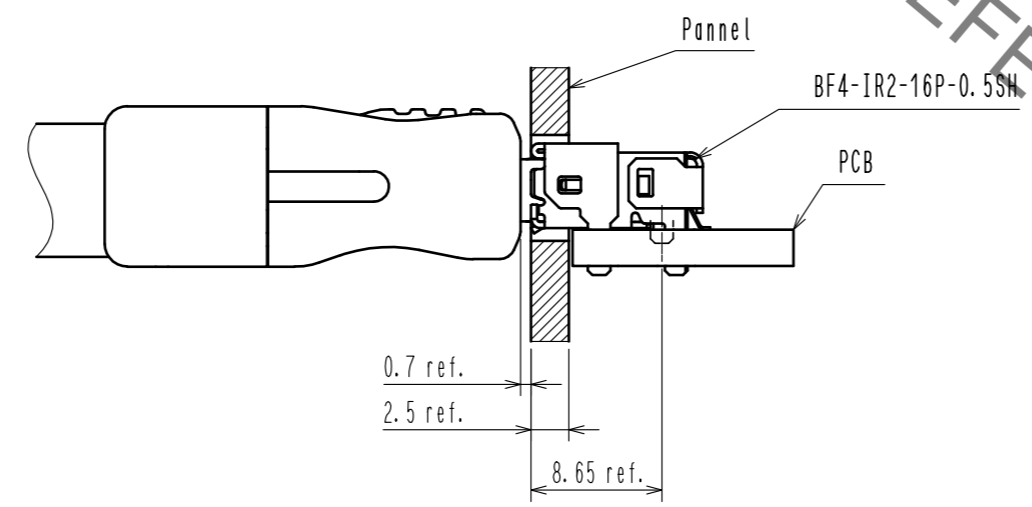
Pin Layout

No	Pin Name	I/O	No	Pin Name	I/O
1	VDD	Power	9	GND	GND
2	VDD	Power	10	EO-DATA-	Input
3	GEN-LEDn	Input	11	EO-DATA+	Input
4	OE-SDn	Output	12	GND	GND
5	ANDATA	Output	13	EO-ACT	Input
6	GND	GND	14	EO-ACTn	Output
7	OE-DATA-	Output	15	AMB-LEDn	Input
8	OE-DATA+	Output	16	N. C.	N. C.

Pin Number



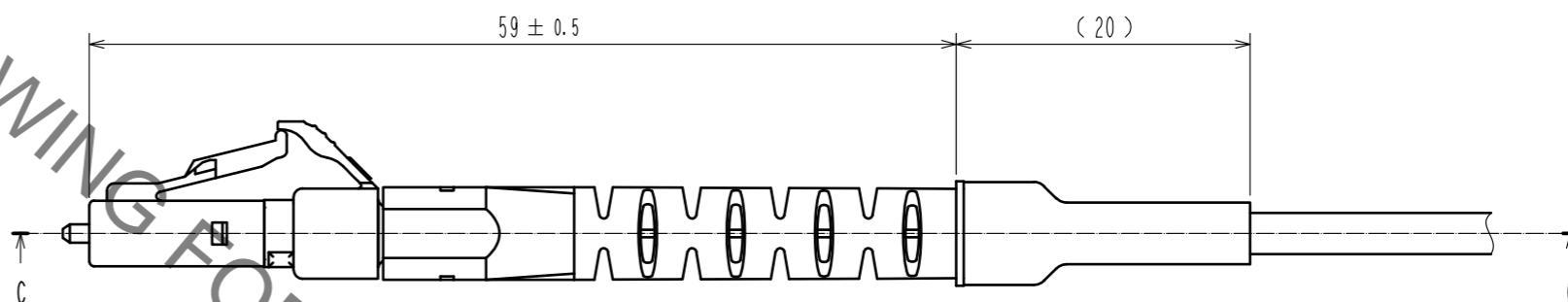
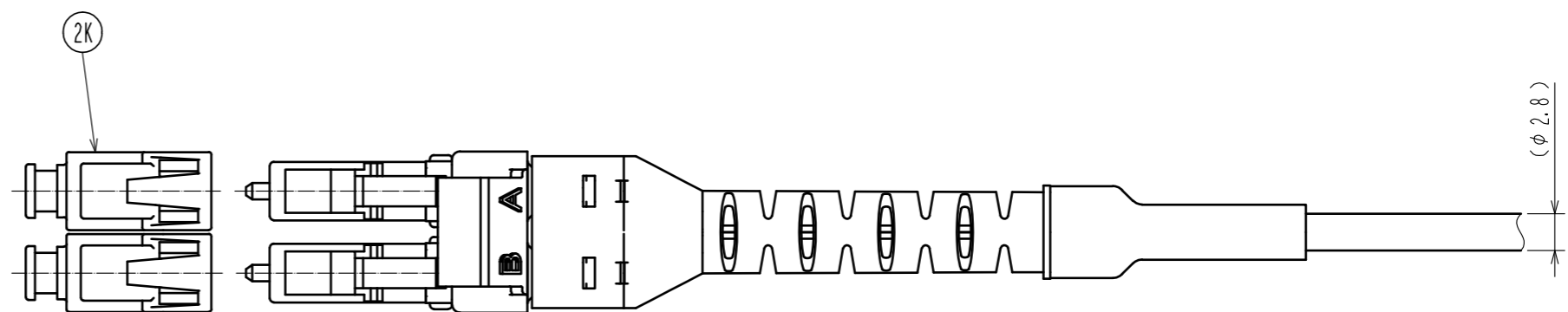
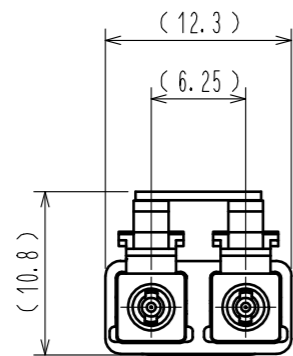
Mated Condition



HRS	DRAWING NO.	EDC-391674-00-00
	PART NO.	BF4-IR2LCD-01-1M
	CODE NO.	CL831-1273-0-00

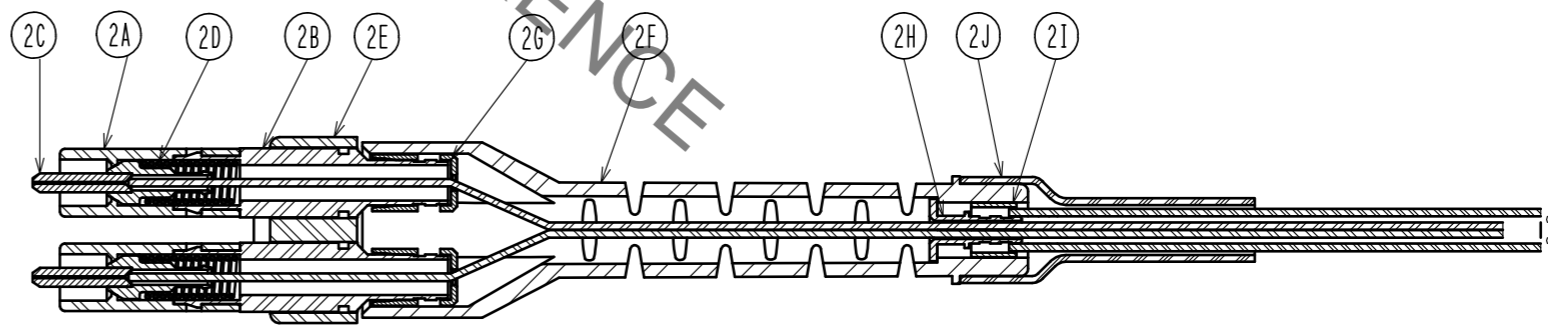
Mar.1.2021 Copyright 2021 HIROSE ELECTRIC CO., LTD. All Rights Reserved.
 In case of consideration for using Automotive equipment / device which demand high reliability, kindly contact our sales window correspondents.

Details of Duplex-LC Connector



Parts List

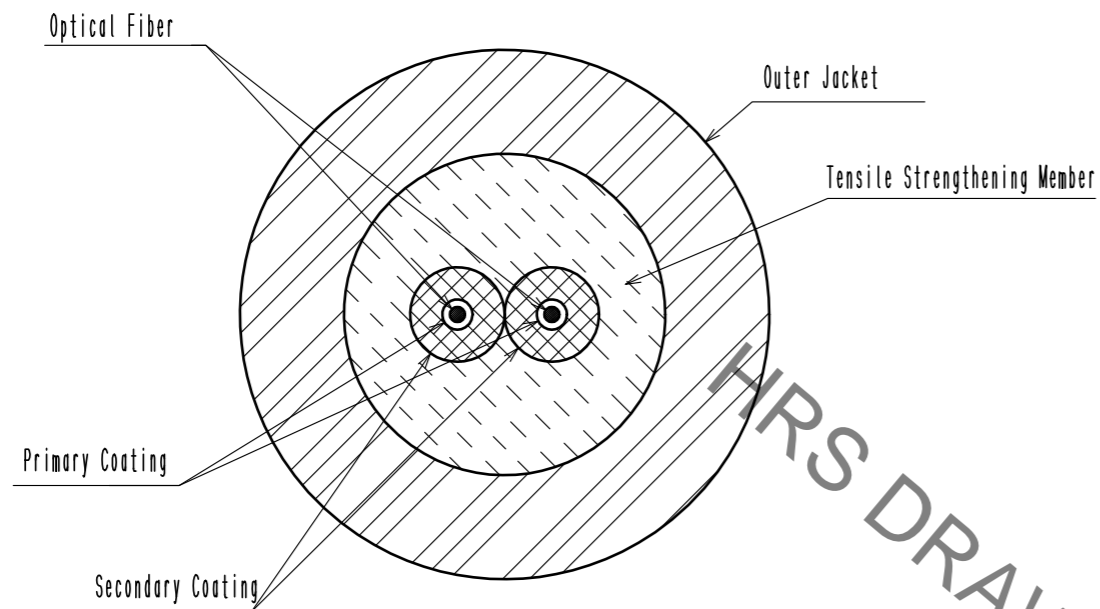
Part No	Parts Name	Quantity	Material
2A	Plug Housing	2	PEI (Beige)
2B	Extender Cap	2	PEI (Beige) + Al Alloy
2C	LC Ferrule	2	ZrO2 + Brass (Ni Plating)
2D	Spring	2	SUS304
2E	Side Clip	1	PP (Beige)
2F	Boot	1	Polyester Elastomer (Blue)
2G	Boot Holder	1	Brass (Ni Plating)
2H	Cable Clamper	1	Brass (Ni Plating)
2I	Clamp Ring	1	Brass (Ni Plating)
2J	Heat Shrink Tubing	1	Polyolefin (Black)
2K	Cap	2	PP (Black)



HRS	DRAWING NO.	EDC-391674-00-00
	PART NO.	BF4-IR2LCD-01-1M
	CODE NO.	CL831-1273-0-00
		3/4

Mar.1.2021 Copyright 2021 HIROSE ELECTRIC CO., LTD. All Rights Reserved.
 In case of consideration for using Automotive equipment / device which demand high reliability, kindly contact our sales window correspondents.

Details of 2-Fiber Round Cable



Optical Fiber

Fiber Type	GI(50/80)
Material	Silica Glass
N. A.	0.275 ± 0.015
Core Diameter	$50 \pm 5 \mu\text{m}$
Cladding Diameter	$80 \pm 1 \mu\text{m}$
Eccentricity (Core/Cladding)	$< 3 \mu\text{m}$
Core Circularity	$< 6\%$
Cladding Circularity	$< 2\%$

Primary Coating

Material	UV Cureable Resin
Outer Diameter	$165 \pm 10 \mu\text{m}$
Color	Blue / Red

Secondary Coating

Material	Fluororesin
Outer Diameter	$0.5 \pm 0.1 \text{mm}$
Color	Clear

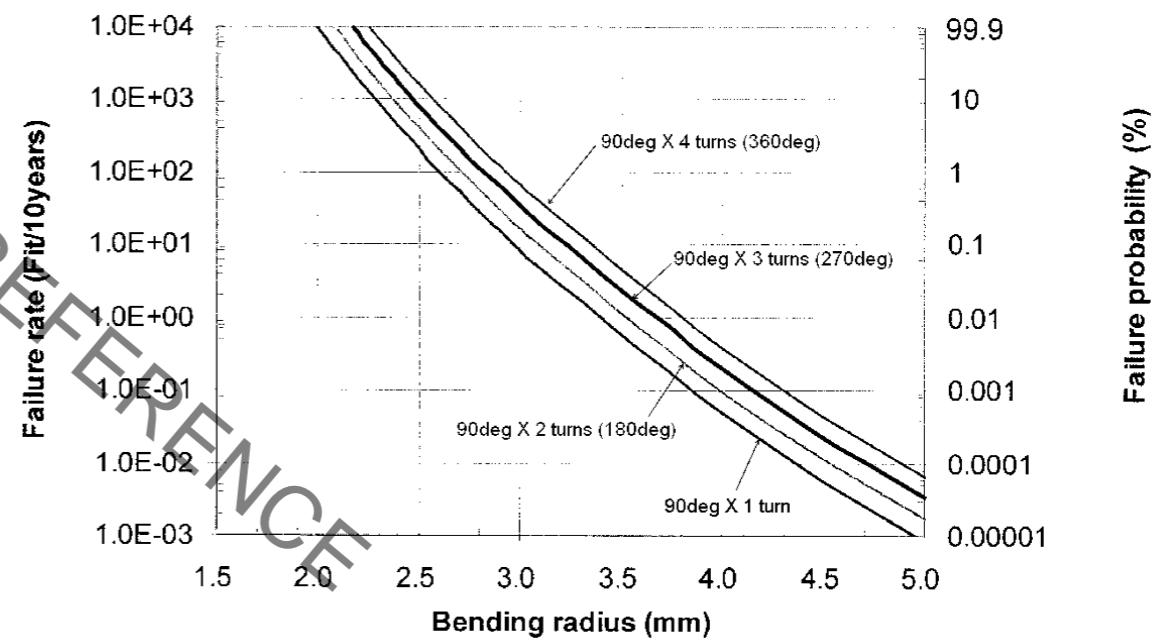
Tensile Strengthening Member

Material	Aramid Fiber (Kevlar)
Color	Yellow

Outer Jacket

Material	PVC
Outer Jacket Diameter	$2.8 \pm 0.2 \text{mm}$
Color	Orange

6 Reference Data --- Failure Rate of the Fiber During Static Bending



Note 5 The optical fiber coating contains dibutyltin compounds (DBT) less than 1000ppm as an intentionally-doped catalyser. REACH regurations restricts 1000ppm exceeding DBT.

Note 6 The data is only for technical reference. The data shows the failure rate during static bending of the tight-buffered fiber that does not include outer jacket and strengthening member.

HRS

DRAWING NO.	EDC-391674-00-00
PART NO.	BF4-IR2LCD-01-1M
CODE NO.	CL831-1273-0-00

4/4