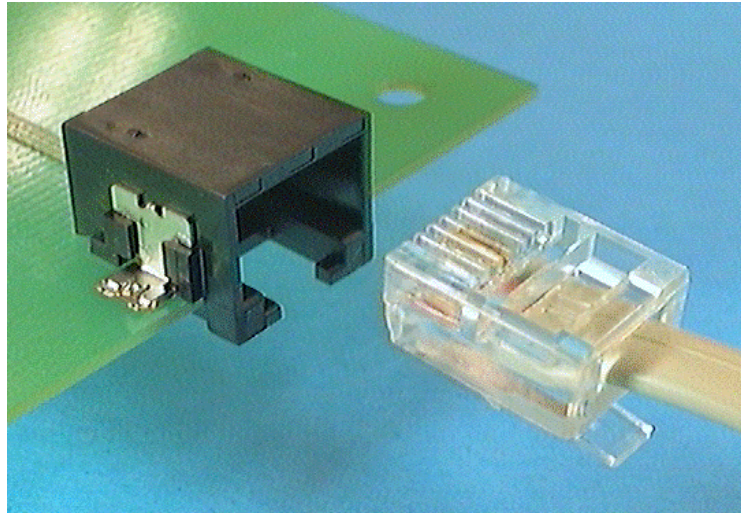


# HRS TM18R Series

2 contacts\* Modular Jack (with 6 pos. mating face)  
for Modem Interface of Notebook PC, Hand-held computer

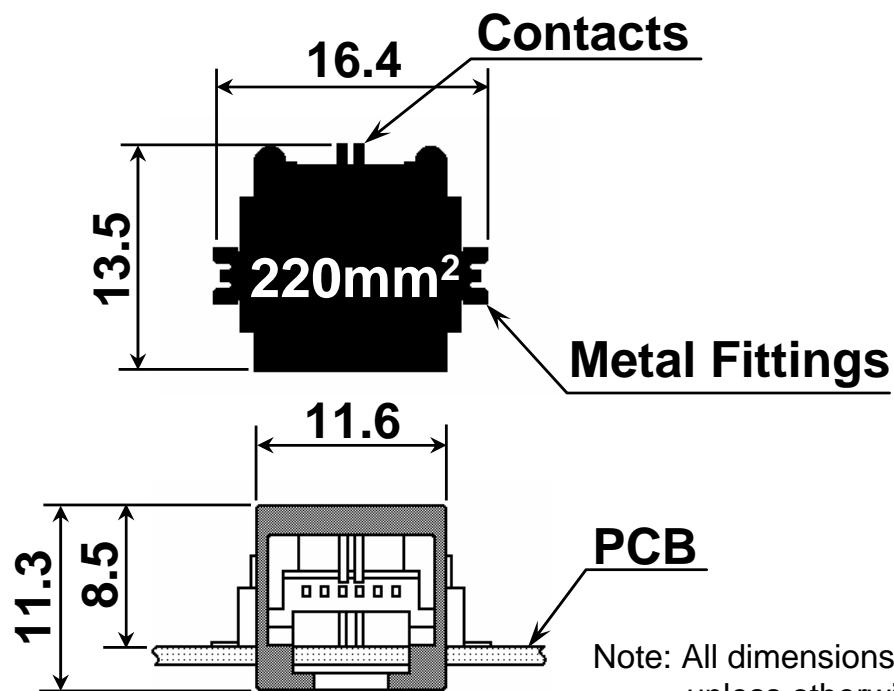


## ◆ Features

1. Low Profile
2. Space Saving
3. SMT Jack with Metal Fittings

\* Please contact Hirose for 4, 6 contacts types availabilities.

## ◆ Low Profile and Space Saving



Specifications herein are subject to change without notice. Contact Hirose for latest specifications, drawings or availabilities.