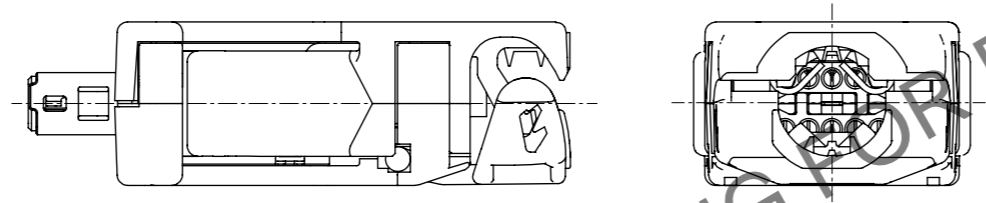
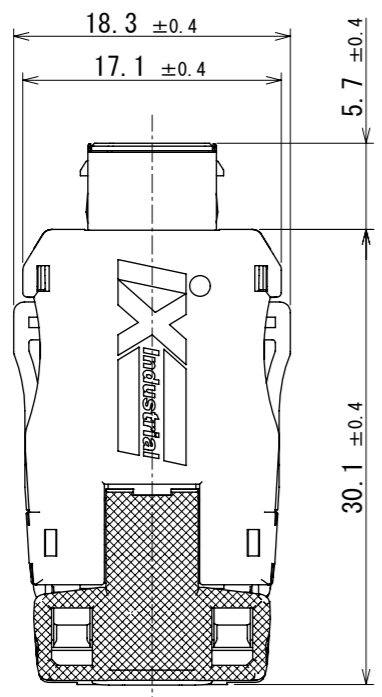
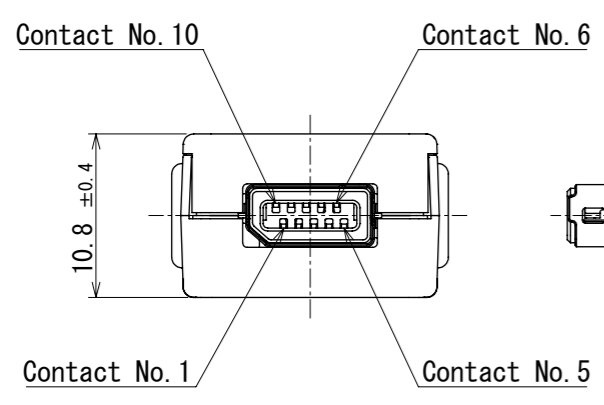
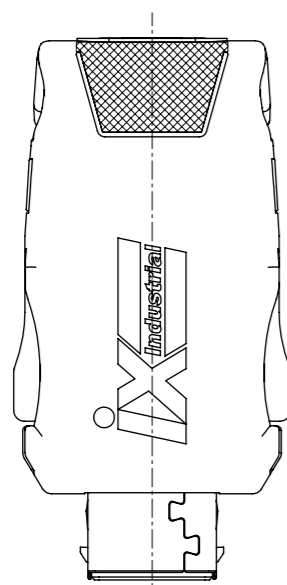


May.1.2026 Copyright 2026 HIROSE ELECTRIC CO., LTD. All Rights Reserved.
In case of consideration for using Automotive equipment / device which demand high reliability, kindly contact our sales window correspondents.



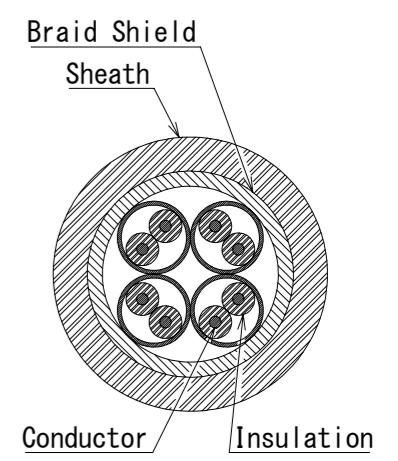
Pin Assignment For 10/100 Mbit/s And 1/10 Gbit/s Ethernet

Contact No.	Signal		Use TIA Cable	
	10/100Mbit/s	1/10Gbit/s	TIA/EIA-568-A	TIA/EIA-568-B
1	TX+	BI_DA+	White/Green	White/Orange
2	TX-	BI_DA-	Green	Orange
3	N. C	N. C	N. C	N. C
4	N. C	BI_DC+	Blue	Blue
5	N. C	BI_DC-	White/Blue	White/Blue
6	RX+	BI_DB+	White/Orange	White/Green
7	RX-	BI_DB-	Orange	Green
8	N. C	N. C	N. C	N. C
9	N. C	BI_DD+	White/Brown	White/Brown
10	N. C	BI_DD-	Brown	Brown

Notes. 1. Recommended cable condition is shown below.
A list of compatible cable is available on the Hirose website.
When using a non-recommended cable, please contact a Hirose sales representative.
Refer to the technical specification (ETAD-E3267) for wiring and assembly procedures.

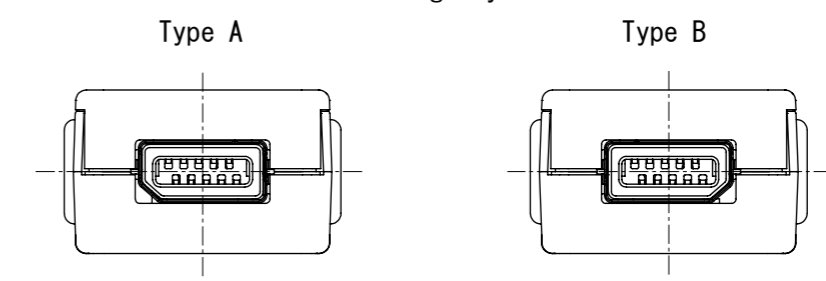
Recommended Cable

Items	IX30GF2	IX31GF2
Conductor Size	AWG26 to 28	AWG24 to 25
Conductor Composition	7 stranded	
Conductor Material	Annealed copper wire	
Insulation O. D.	ø0.95 to 1.05mm	ø1.1 to 1.25mm
Braid Shield	Tin plating	
Sheath O. D.	ø4.1 to 7.1mm	



2. Type A is defined for 10/100 Mbit/s and 1/10 Gbit/s Ethernet communication.
Please use Type B for all others non Ethernet applications like signaling, serial or other industrial bus communication systems. Type B is not defined pin assignment.
This drawing shows the shape of the Type A as a representative.

Mating Key

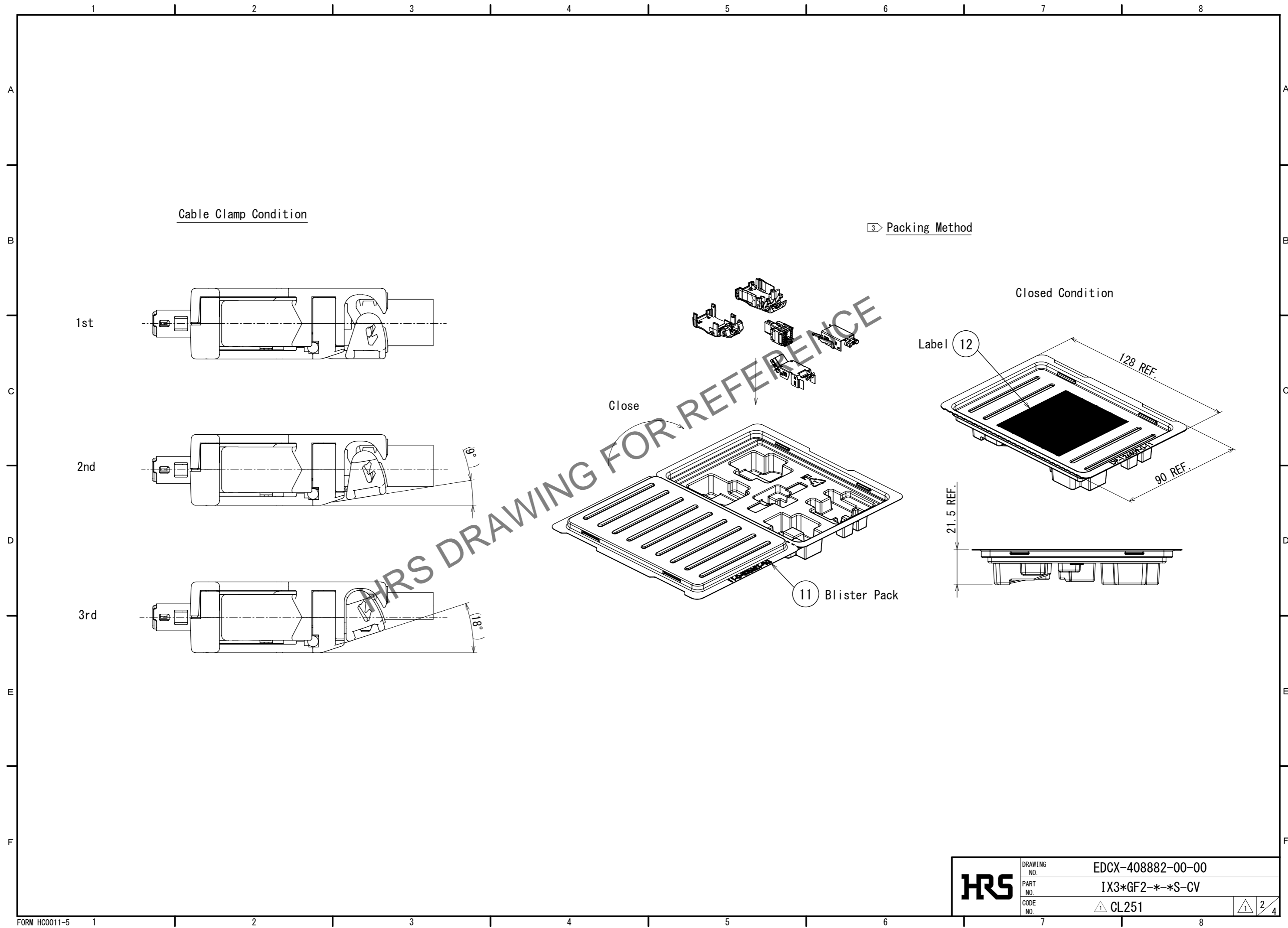


3. This product is packed individually in a tray.
The delivery condition of Shield shell is shown in "Shield Shell Delivery Form".

NO.	MATERIAL	FINISH	REMARKS	NO.	MATERIAL	FINISH	REMARKS
5	PC		30GF : Clear, UL94V-0 31GF : Clear yellow, UL94V-0				
4	PA		Type A : Black, UL94V-0 Type B : Dark Gray, UL94V-0	12	Paper		
3	Stainless Steel			11	PET	Clear	
2	PA		30GF : Black, UL94V-0 31GF : Dark Gray, UL94V-0	10	PC	Black, UL94V-0	
1	Copper Alloy		Contact area : Gold 0.2 μm min Wiring area : Gold 0.03 μm min Under plating : Nickel 2 μm min	9	PC	Black, UL94V-0	
				8	PC	Black, UL94V-0	
				7	Stainless Steel	Nickel 0.2 μm min	
				6	Stainless Steel	Nickel 1 μm min	

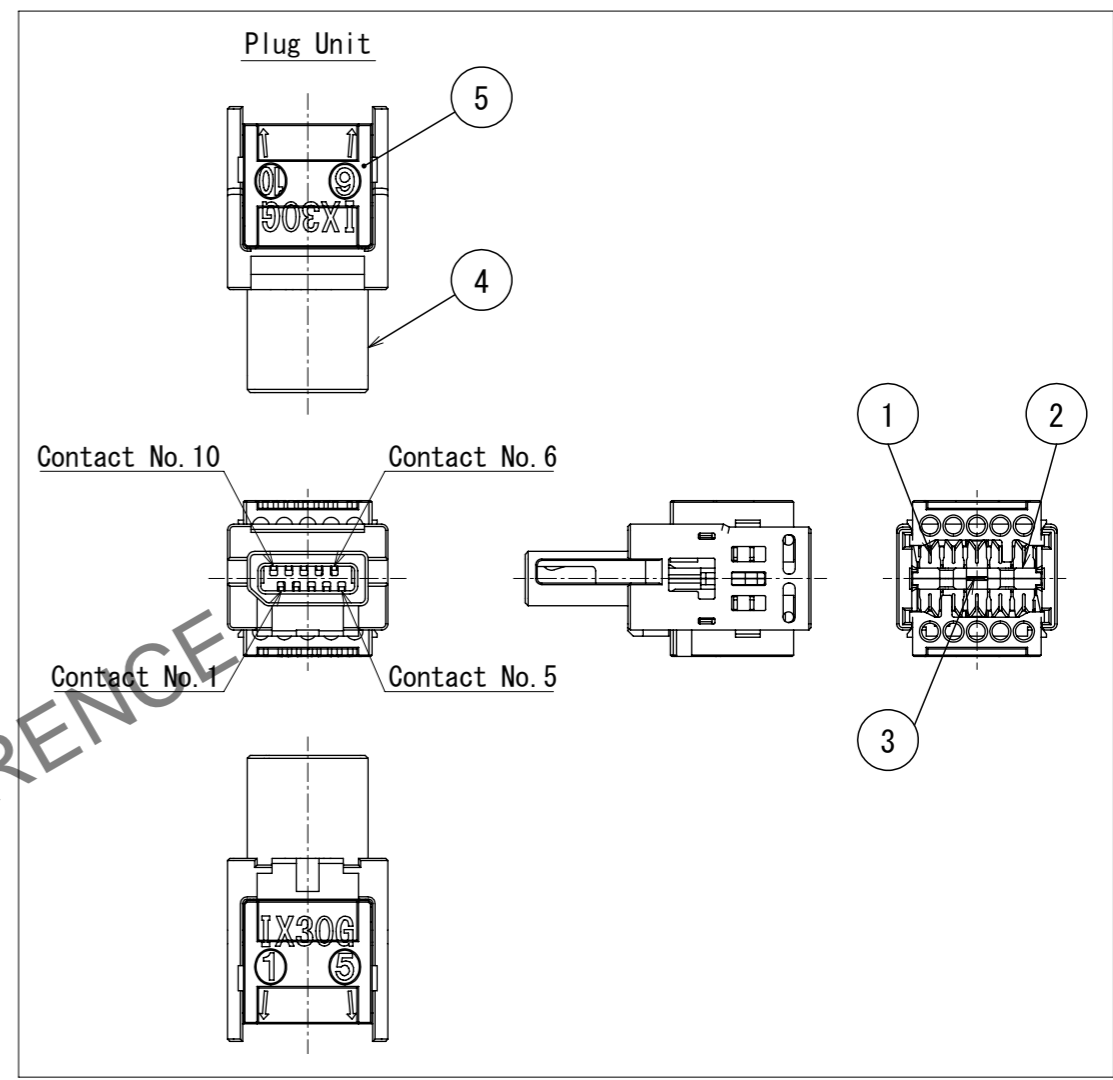
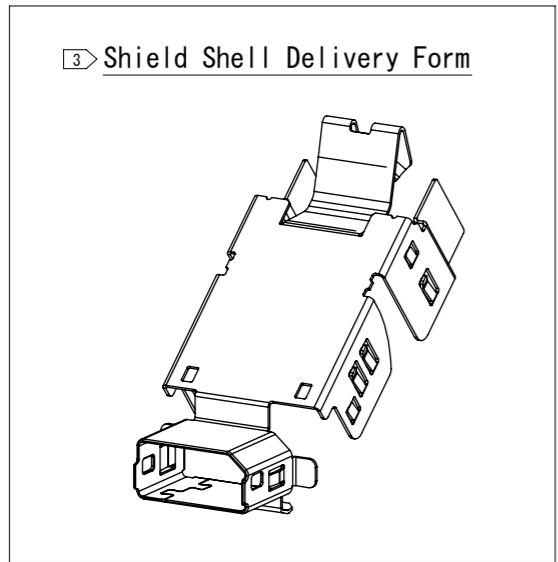
UNITS mm		SCALE 2:1	COUNT 4	DESCRIPTION OF REVISIONS DIS-E-00019210	DESIGNED MY. KOMUKAI	CHECKED KI. KAGOTANI	DATE 2025. 07. 15
HRS HIROSE ELECTRIC CO., LTD.		APPROVED : TU. TANIGUCHI 2025. 03. 10	DRAWING NO. EDCX-408882-00-00		PART NO. IX3*GF2-**-S-CV		
		CHECKED : KI. KAGOTANI 2025. 03. 10	CODE NO. CL251		1/4		
		DESIGNED : TS. SAKAIZAWA 2025. 03. 10					
		DRAWN : MY. KOMUKAI 2025. 03. 10					

May.1.2026 Copyright 2026 HIROSE ELECTRIC CO., LTD. All Rights Reserved.
In case of consideration for using Automotive equipment / device which demand high reliability, kindly contact our sales window correspondents.

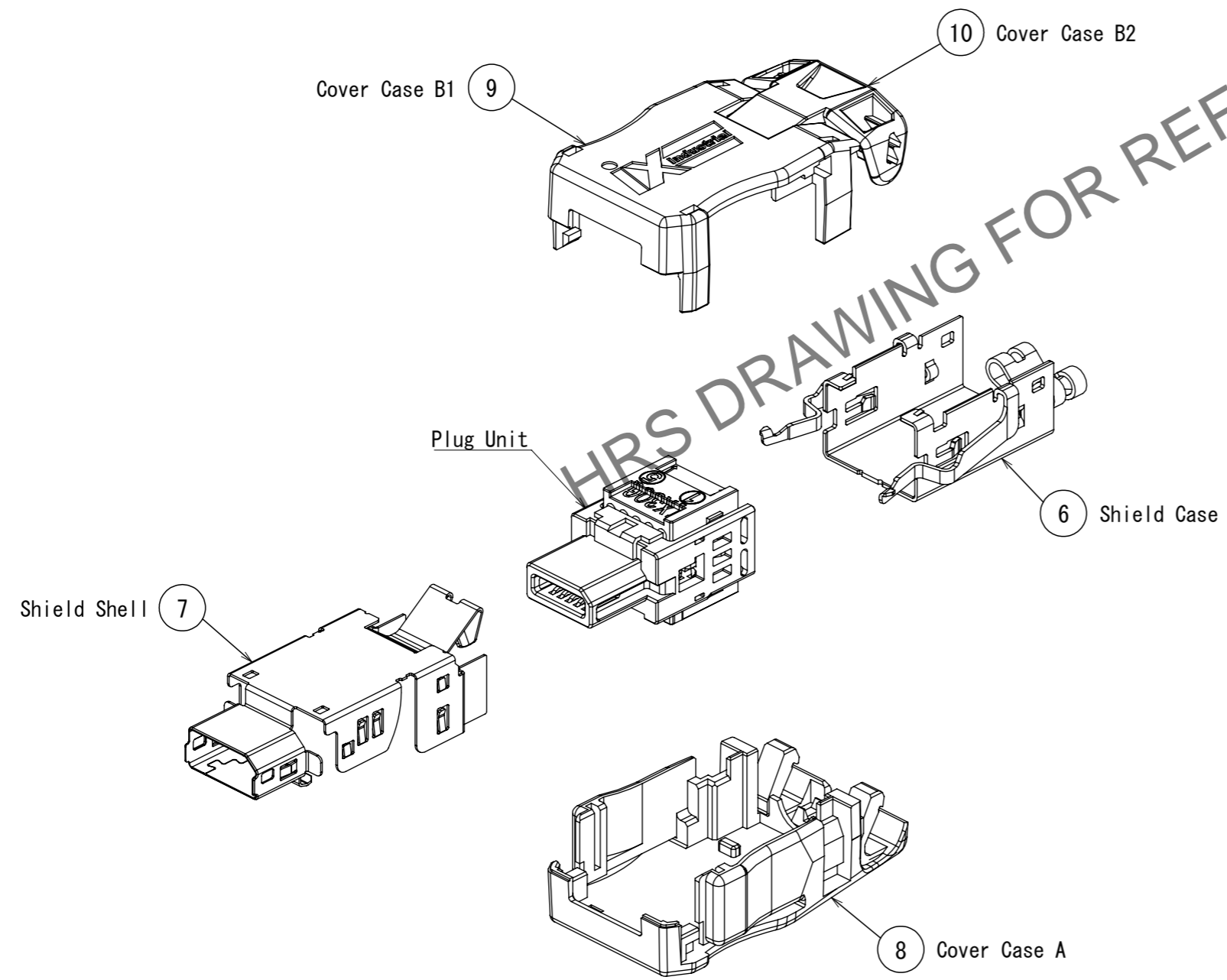


HRS	DRAWING NO.	EDCX-408882-00-00
	PART NO.	IX3*GF2-*-*S-CV
	CODE NO.	△ CL251
		△ 2/4

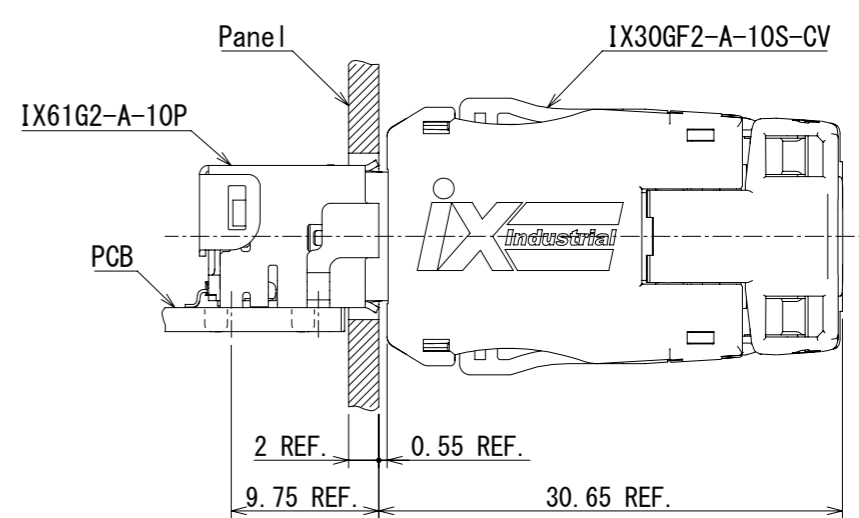
May.1.2026 Copyright 2026 HIROSE ELECTRIC CO., LTD. All Rights Reserved.
 In case of consideration for using Automotive equipment / device which demand high reliability, kindly contact our sales window correspondents.



Product Structure



Mated Condition



HRS	DRAWING NO.	EDCX-408882-00-00	3/4
	PART NO.	IX3*GF2-**-S-CV	
	CODE NO.	CL251	

May.1.2026 Copyright 2026 HIROSE ELECTRIC CO., LTD. All Rights Reserved.
In case of consideration for using Automotive equipment / device which demand high reliability, kindly contact our sales window correspondents.

4. Product Number Structure

IX 30GF 2 - A - 10 S - CV (##)

① ② ③ ④ ⑤ ⑥ ⑦ ⑧

①Series Name	IX Series
②Assembly Method	30GF : IDC Field Assembly (AWG#26 to 28, Insulator Outer Diameter ø0.95 to 1.05mm) 31GF : IDC Field Assembly (AWG#24 to 25, Insulator Outer Diameter ø1.1 to 1.25mm)
③Version	2 : Ver. 2
④Mating Key	A : Type A/For Ethernet B : Type B/For except Ethernet
⑤Number of Positions	10 : 10 pos.
⑥Contact Gender	S:Female Contact
⑦Plug Cover Cabling Direction	CV : Straight
⑧Plating Specifications	Blank : Gold Plated (01) : Palladium-Nickel Plated+Gold Plated

Applicable Products List

Product Name	HRS No.
IX30GF2-A-10S-CV	CL0251-0167-0-00
IX31GF2-A-10S-CV	CL0251-0012-0-00
IX30GF2-B-10S-CV	CL0251-0186-0-00
IX31GF2-B-10S-CV	CL0251-0187-0-00

5. Refer to the other drawing for Plating Specification (01).

HRS DRAWING FOR REFERENCE

HRS	DRAWING NO.	EDCX-408882-00-00
	PART NO.	IX3*GF2-*-*S-CV
	CODE NO.	△ CL251
		△ 4/4