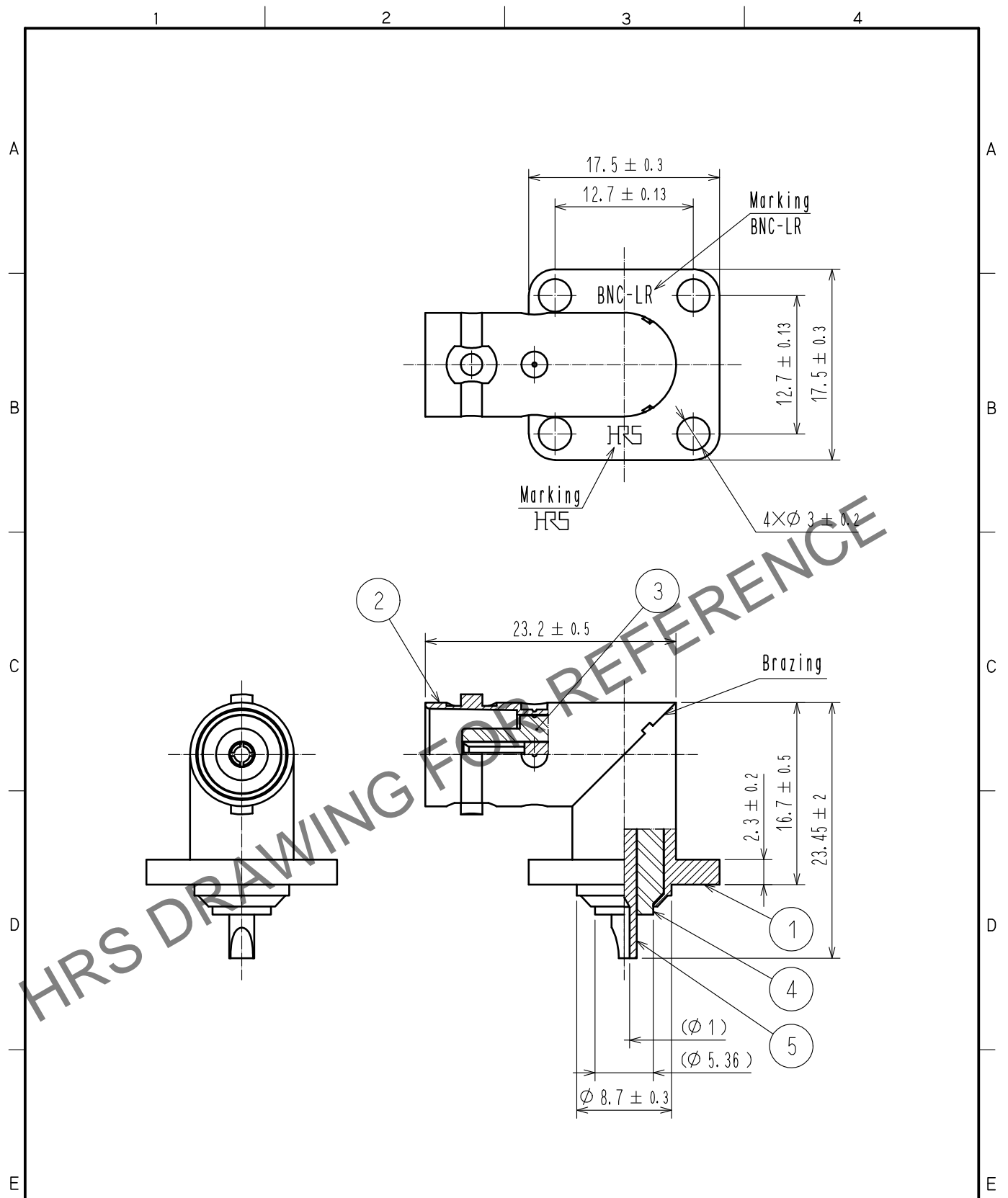


Feb.1.2025 Copyright 2025 HIROSE ELECTRIC CO., LTD. All Rights Reserved.
 In case of consideration for using Automotive equipment / device which demand high reliability, kindly contact our sales window correspondents.



3	PTFE							
2	BRASS	NICKEL PLATING		5	BERYLLIUM COPPER	SILVER PLATING		
1	BRASS	NICKEL PLATING		4	PTFE			
NO.	MATERIAL	FINISH	REMARKS	NO.	MATERIAL	FINISH	REMARKS	
UNITS mm		SCALE 2 : 1	COUNT 	DESCRIPTION OF REVISIONS		DESIGNED	CHECKED	DATE
HIROSE ELECTRIC CO., LTD.		APPROVED	·NK. NINOMIYA	20211008	DRAWING NO. EDC-000840-43-00			
		CHECKED	·NK. NINOMIYA	20211008	PART NO. BNC-LR(43)			
		DESIGNED	·MT. KANEKO	20211008	CODE NO. CL0302-0020-5-43			
		DRAWN	·NK. OOSHIMA	20211008	1/1			