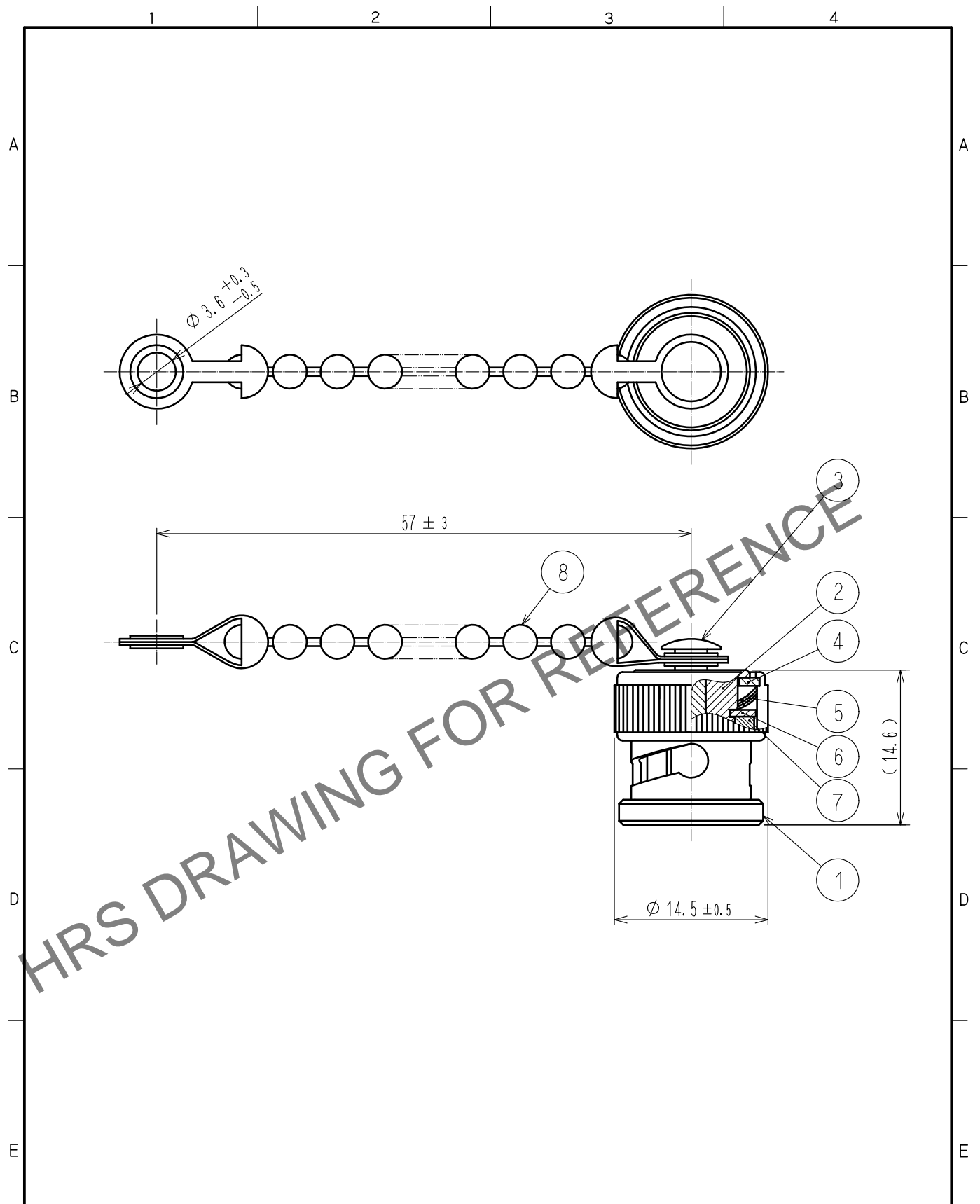


Apr.1.2025 Copyright 2025 HIROSE ELECTRIC CO., LTD. All Rights Reserved.
 In case of consideration for using Automotive equipment / device which demand high reliability, kindly contact our sales window correspondents.



4	BRASS	NICKEL PLATING	8	BRASS	NICKEL PLATING
3	BRASS	GOLD PLATING	7	SILICONE RUBBER	
2	BRASS	NICKEL PLATING	6	BRASS	NICKEL PLATING
1	BRASS	NICKEL PLATING	5	BERYLLIUM COPPER	SILVER PLATING
NO.	MATERIAL	FINISH . REMARKS	NO.	MATERIAL	FINISH . REMARKS

UNITS mm		SCALE 2 : 1	COUNT 	DESCRIPTION OF REVISIONS	DESIGNED	CHECKED	DATE
HIROSE ELECTRIC CO., LTD.		APPROVED : NK. NINOMIYA 20211012	DRAWING NO. EDC-000485-41-00				
		CHECKED : NK. NINOMIYA 20211012	PART NO. JCW-159/U(41)				
		DESIGNED : MT. KANEKO 20211012	CODE NO. CL0302-0026-1-41				
		DRAWN : NK. OOSHIMA 20211012			1/1		