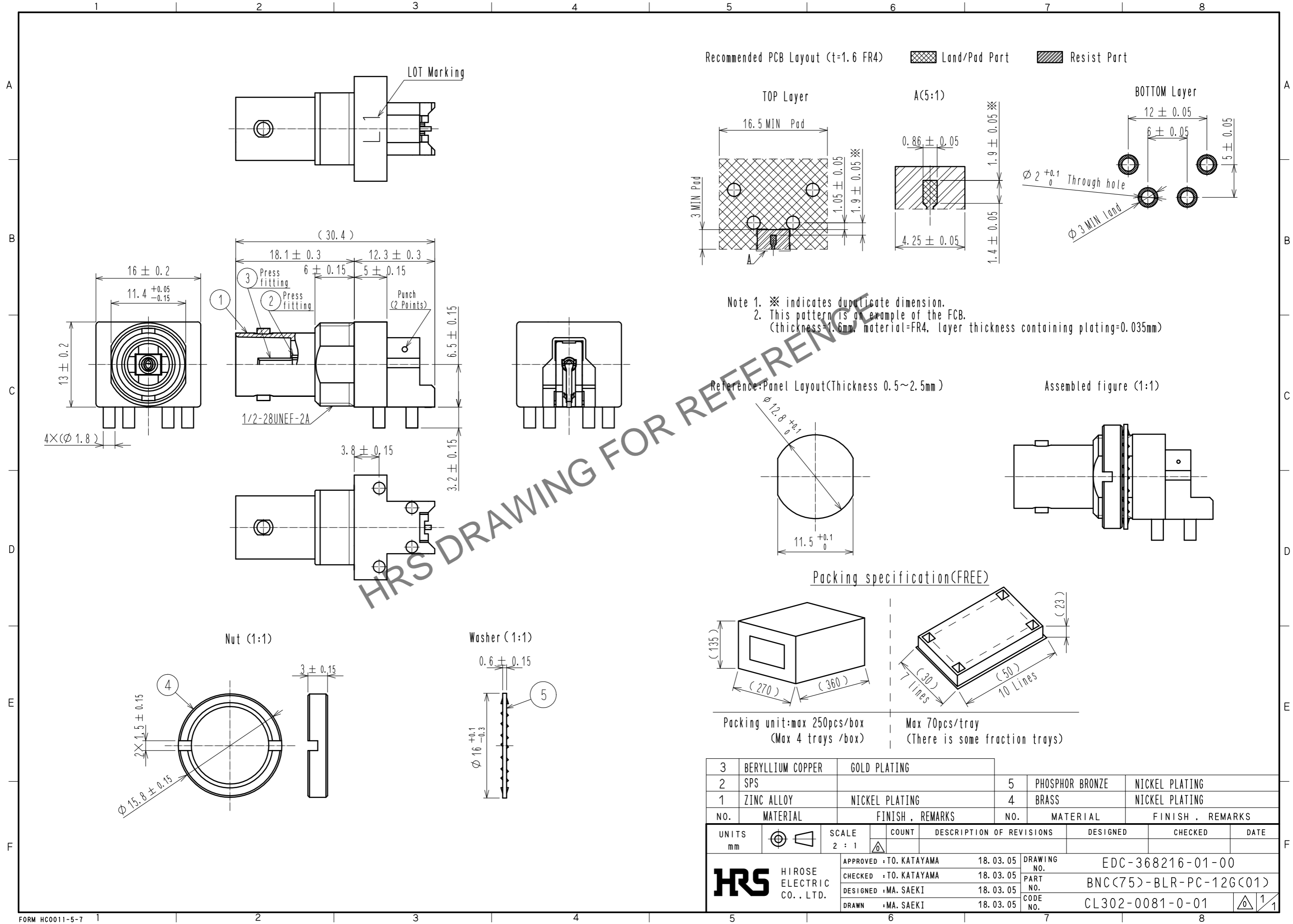


Mar.1.2025 Copyright 2025 HIROSE ELECTRIC CO., LTD. All Rights Reserved.
In case of consideration for using Automotive equipment / device which demand high reliability, kindly contact our sales window correspondents.



3	BERYLLIUM COPPER	GOLD PLATING	5	PHOSPHOR BRONZE	NICKEL PLATING
2	SPS		4	BRASS	NICKEL PLATING
1	ZINC ALLOY	NICKEL PLATING			
NO.	MATERIAL	FINISH, REMARKS	NO.	MATERIAL	FINISH, REMARKS

UNITS	mm	SCALE	2 : 1	COUNT	DESCRIPTION OF REVISIONS	DESIGNED	CHECKED	DATE
HRS		HIROSE ELECTRIC CO., LTD.		APPROVED	: TO. KATAYAMA	18.03.05	DRAWING NO. EDC-368216-01-00	
				CHECKED	: TO. KATAYAMA	18.03.05	PART NO. BNC(75)-BLR-PC-12G(01)	
				DESIGNED	: MA. SAEKI	18.03.05	CODE NO. CL302-0081-0-01	
				DRAWN	: MA. SAEKI	18.03.05	1/1	