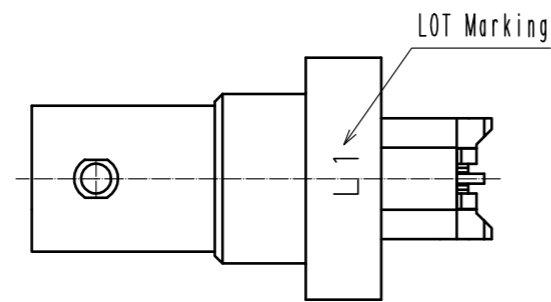


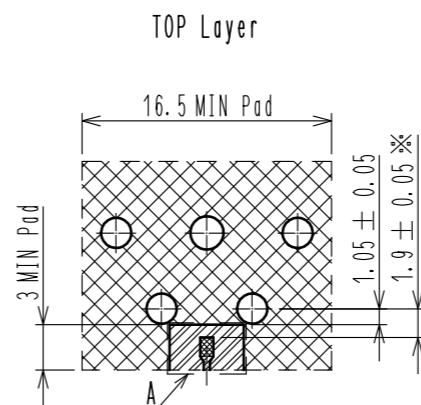
Mar.1.2025 Copyright 2025 HIROSE ELECTRIC CO., LTD. All Rights Reserved.  
In case of consideration for using Automotive equipment / device which demand high reliability, kindly contact our sales window correspondents.



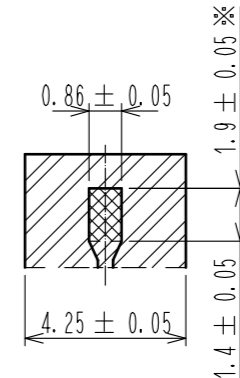
Recommended PCB Layout (t=1.6 FR4)

Land/Pad Part

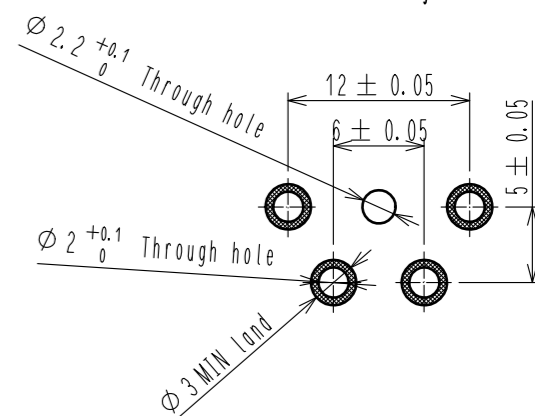
Resist Part



A(5:1)

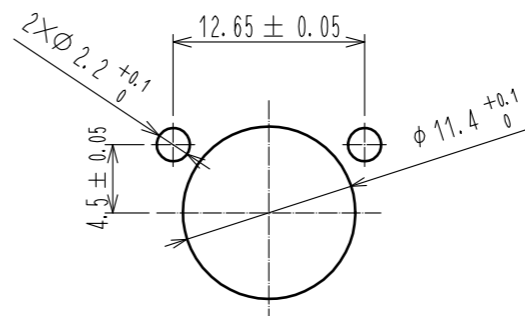
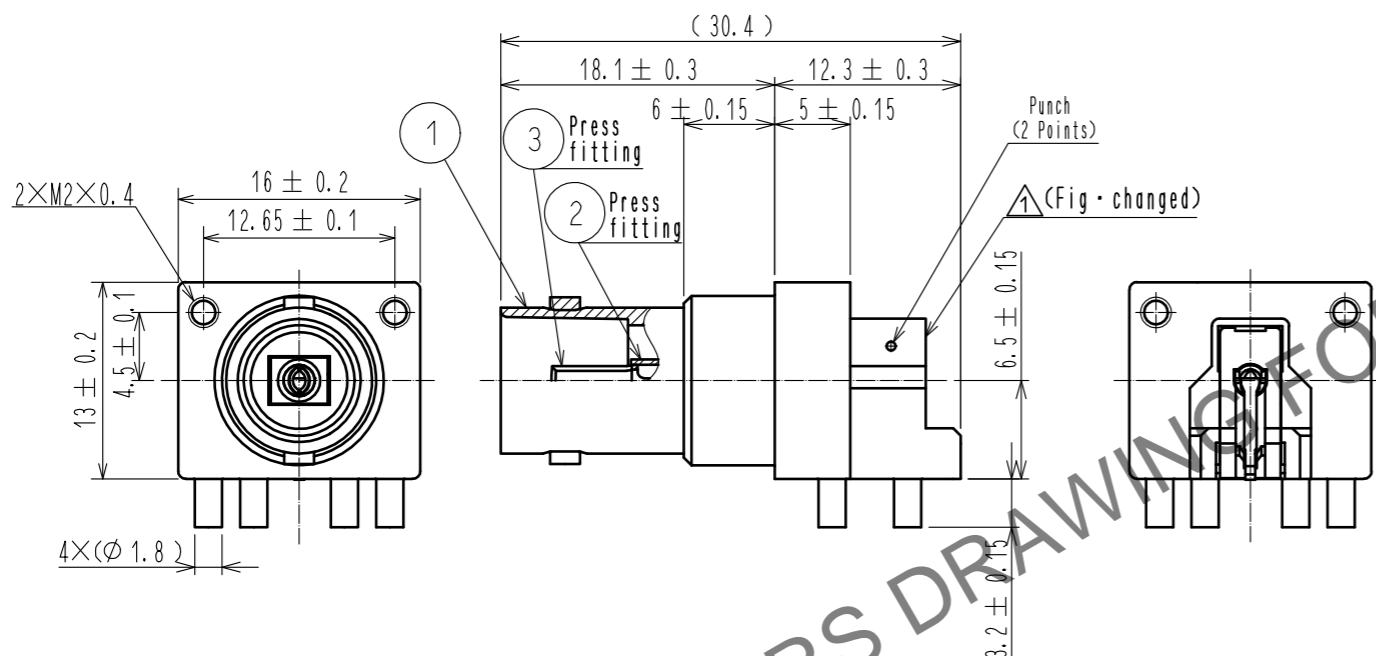


BOTTOM Layer

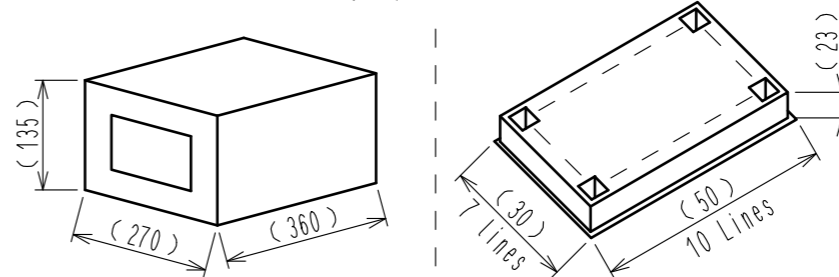


Note 1. ※ indicates duplicate dimension.  
2. This pattern is an example of the FCB.  
(thickness=1.6mm, material=FR4, layer thickness containing plating=0.035mm)

Reference: Panel Layout (Thickness 0.5~2.5mm)  
Screw: M2×0.4

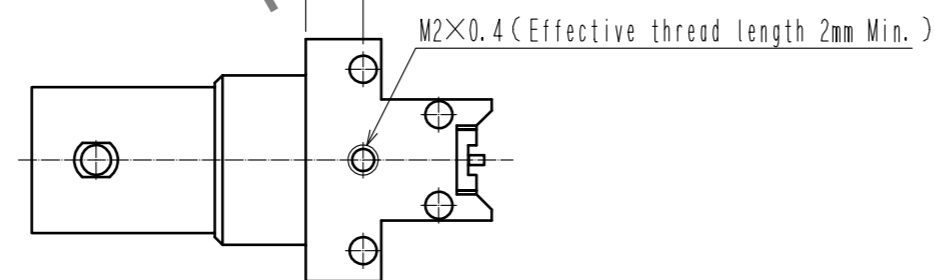


Packing specification (FREE)



Packing unit: max 250pcs/box  
(Max 4 trays /box)

Max 70pcs/tray  
(There is some fraction trays)



2	SPS						
1	ZINC ALLOY	NICKEL PLATING	3	BERYLLIUM COPPER	GOLD PLATING		
NO.	MATERIAL	FINISH, REMARKS	NO.	MATERIAL	FINISH, REMARKS		
UNITS		SCALE	COUNT	DESCRIPTION OF REVISIONS		DESIGNED	CHECKED
mm		2 : 1	1	DIS-D-00001222		MA. SAEKI	KY. SHIMIZU
				APPROVED	16.03.04	DRAWING NO. EDC-368283-00-00	
				CHECKED	16.03.04	PART NO. BNC(75)-PLR-PC-12G-1	
				DESIGNED	16.03.04	CODE NO. CL302-0083-0-00	
				DRAWN	16.03.04		
HRS		HIROSE ELECTRIC CO., LTD.					