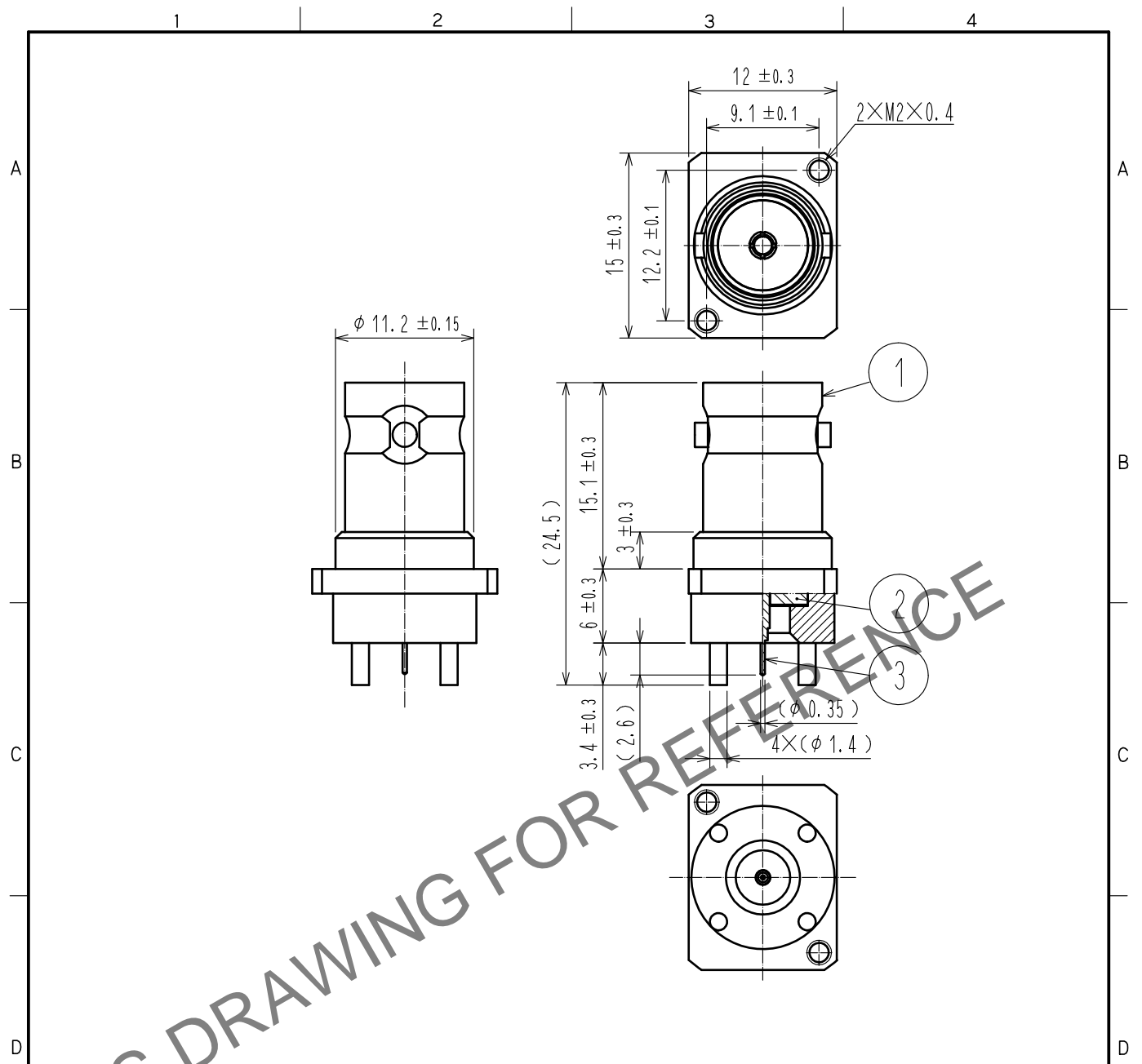
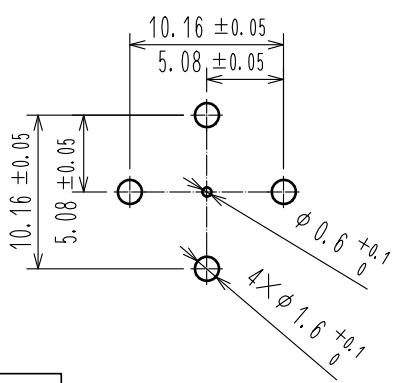


Mar.1.2025 Copyright 2025 HIROSE ELECTRIC CO., LTD. All Rights Reserved.
 In case of consideration for using Automotive equipment / device which demand high reliability, kindly contact our sales window correspondents.

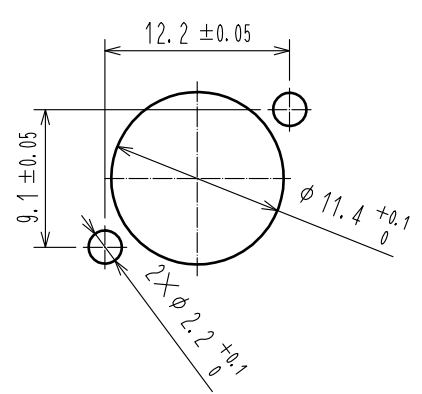


PCB layout(recommendation)



Panel layout (reference)

Thickness : 0.5~2mm Screw:M2×0.4



RoHS COMPLIANT

2	PTFE								
1	BRASS	NICKEL PLATING		3	PHOSPHOR BRONZE	GOLD PLATING			
NO.	MATERIAL	FINISH	REMARKS	NO.	MATERIAL	FINISH	REMARKS		
UNITS mm		SCALE 2 : 1	COUNT 	DESCRIPTION OF REVISIONS		DESIGNED	CHECKED	DATE	
HRS HIROSE ELECTRIC CO., LTD.	APPROVED	:TO. KATAYAMA		17.09.01	DRAWING NO.	EDC-376949-00-00			
	CHECKED	:TO. KATAYAMA		17.09.01	PART NO.	BNC(75)-PR(6)-PC-12G			
	DESIGNED	:MA. SAEKI		17.09.01	CODE NO.	CL302-0086-0-00			
	DRAWN	:MA. SAEKI		17.09.01		1/1			