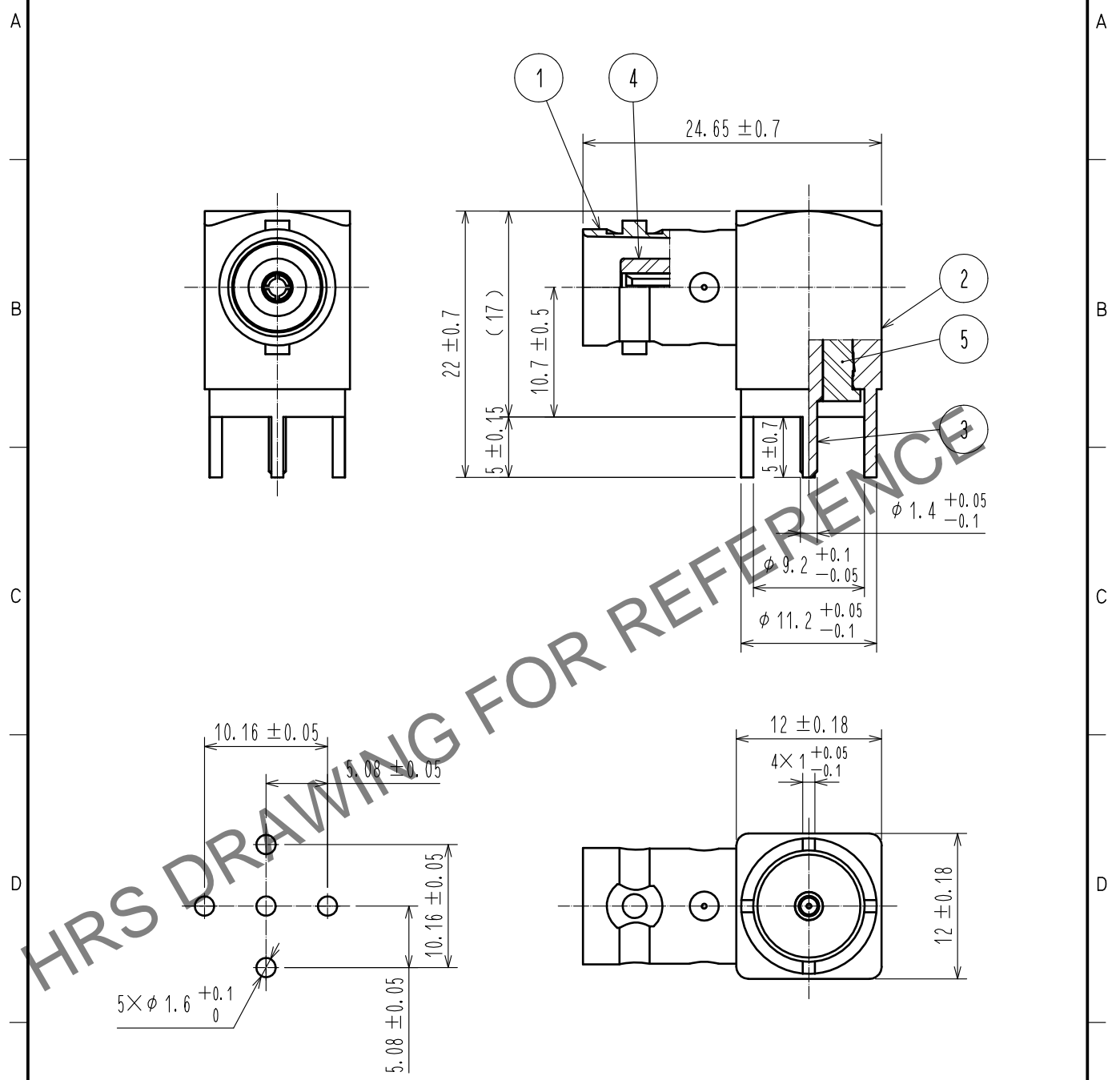


Mar.1.2025 Copyright 2025 HIROSE ELECTRIC CO., LTD. All Rights Reserved.  
In case of consideration for using Automotive equipment / device which demand high reliability, kindly contact our sales window correspondents.

△ Redraw



【 RECOMMENDED PC BOARD HOLE PATTERN 】

RoHS COMPLIANT

3	BERYLLIUM COPPER	GOLD PLATING						
2	BRASS	NICKEL PLATING		5	PTFE			
1	BRASS	NICKEL PLATING		4	PTFE			
NO.	MATERIAL	FINISH	REMARKS	NO.	MATERIAL	FINISH	REMARKS	
UNITS	△	SCALE	COUNT	DESCRIPTION OF REVISIONS		DESIGNED	CHECKED	DATE
mm		2 : 1	△ 1	DIS-D-00002637		YI. FUNADA	TO. KATAYAMA	17.11.16
<b>HRS</b>	HIROSE ELECTRIC CO., LTD.	APPROVED	·MH. YAMANE	08.12.11	DRAWING NO.	EDC4-009061-41		
		CHECKED	·TO. KATAYAMA	08.12.11	PART NO.	BNC-LR-PC(41)		
		DESIGNED	·NK. OOSAWA	08.12.11	CODE NO.	CL302-0242-7-41		
		DRAWN	·NK. OOSAWA	08.12.11		△ 1/1		