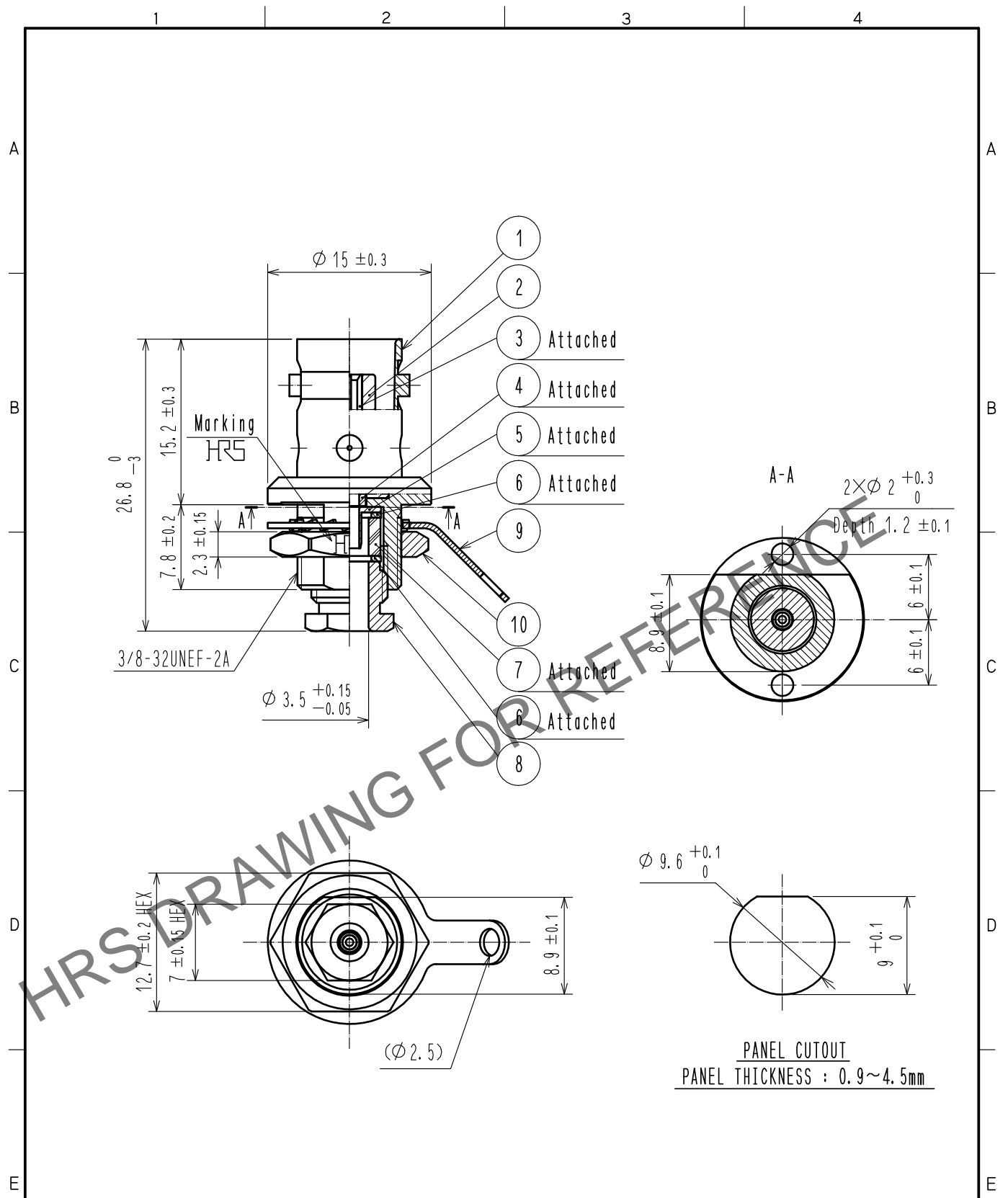


Feb.1.2025 Copyright 2025 HIROSE ELECTRIC CO., LTD. All Rights Reserved.
 In case of consideration for using Automotive equipment / device which demand high reliability, kindly contact our sales window correspondents.



5	BRASS	NICKEL PLATING	10	BRASS	NICKEL PLATING
4	PTFE		9	PHOSPHOR BRONZE	NICKEL PLATING
3	BERYLLIUM COPPER	GOLD PLATING	8	BRASS	NICKEL PLATING
2	PTFE		7	SILICONE RUBBER	
1	BRASS	NICKEL PLATING	6	BRASS	NICKEL PLATING
NO.	MATERIAL	FINISH . REMARKS	NO.	MATERIAL	FINISH . REMARKS

UNITS mm	SCALE 2 : 1	COUNT	DESCRIPTION OF REVISIONS	DESIGNED	CHECKED	DATE
HIROSE ELECTRIC CO., LTD.	APPROVED	:NK. NINOMIYA	20211029	DRAWING NO.	EDC-009464-40-00	
	CHECKED	:NK. NINOMIYA	20211029	PART NO.	BNC-BPJ-1.5-1(40)	
	DESIGNED	:MT. KANEKO	20211029	CODE NO.	CL0302-0252-0-40	
	DRAWN	:YK. MITSUISHI	20211029			