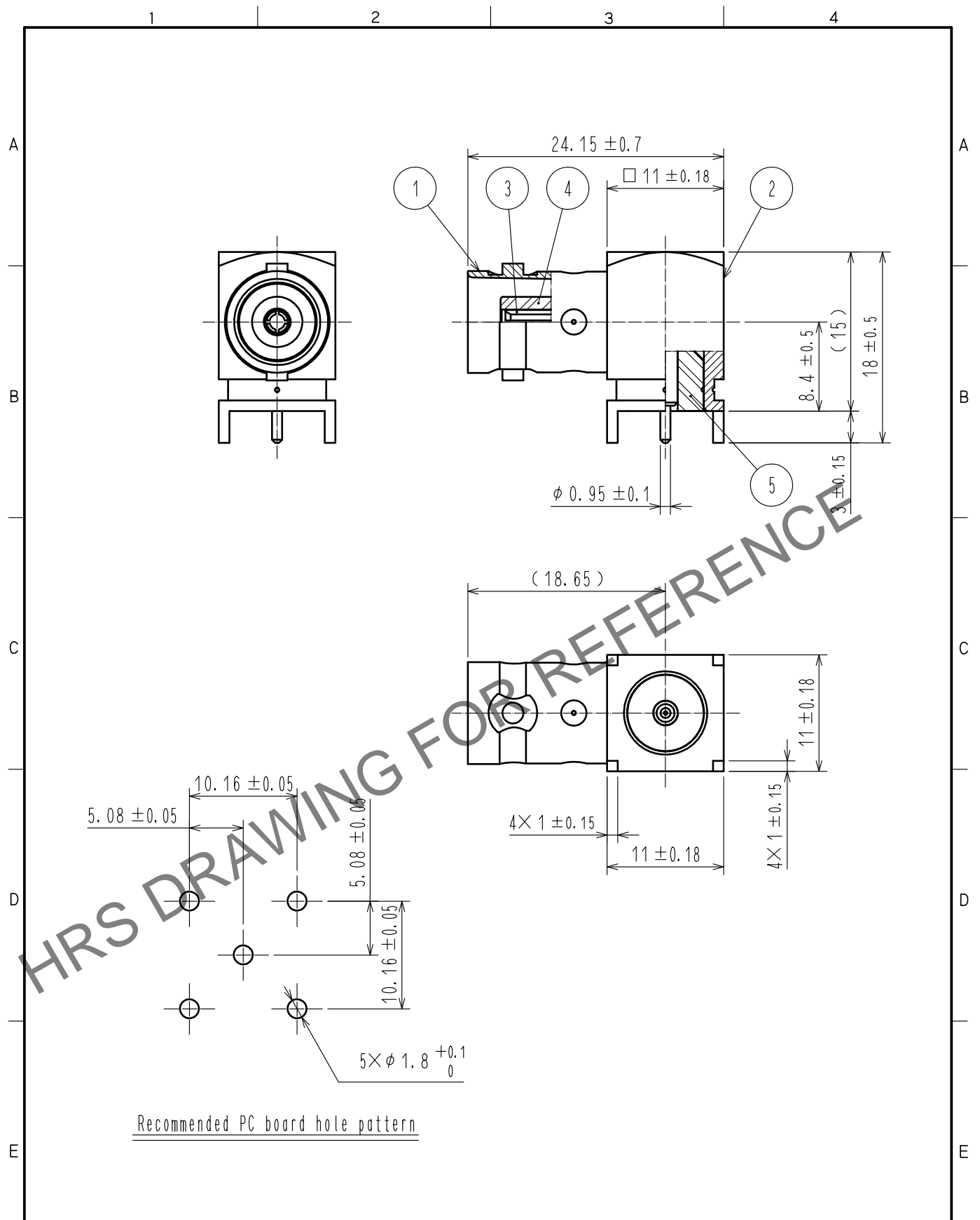


Feb.1.2025 Copyright 2025 HIROSE ELECTRIC CO., LTD. All Rights Reserved.
 In case of consideration for using Automotive equipment / device which demand high reliability, kindly contact our sales window correspondents.



Recommended PC board hole pattern

3	BERYLLIUM COPPER	GOLD PLATING						
2	BRASS	NICKEL PLATING		5	PTFE			
1	BRASS	NICKEL PLATING		4	PTFE			
NO.	MATERIAL	FINISH	REMARKS	NO.	MATERIAL	FINISH	REMARKS	
UNITS mm		SCALE 2 : 1	COUNT 	DESCRIPTION OF REVISIONS		DESIGNED	CHECKED	DATE
HIROSE ELECTRIC CO., LTD.		APPROVED : TO. KATAYAMA	20181128	DRAWING NO.		EDC-022246-41-00		
		CHECKED : TO. KATAYAMA	20181128	PART NO.		BNC-LR-PC-1(41)		
		DESIGNED : NK. OOSAWA	20181128	CODE NO.		CL302-0262-4-41		
		DRAWN : NK. OOSAWA	20181128			0/0		