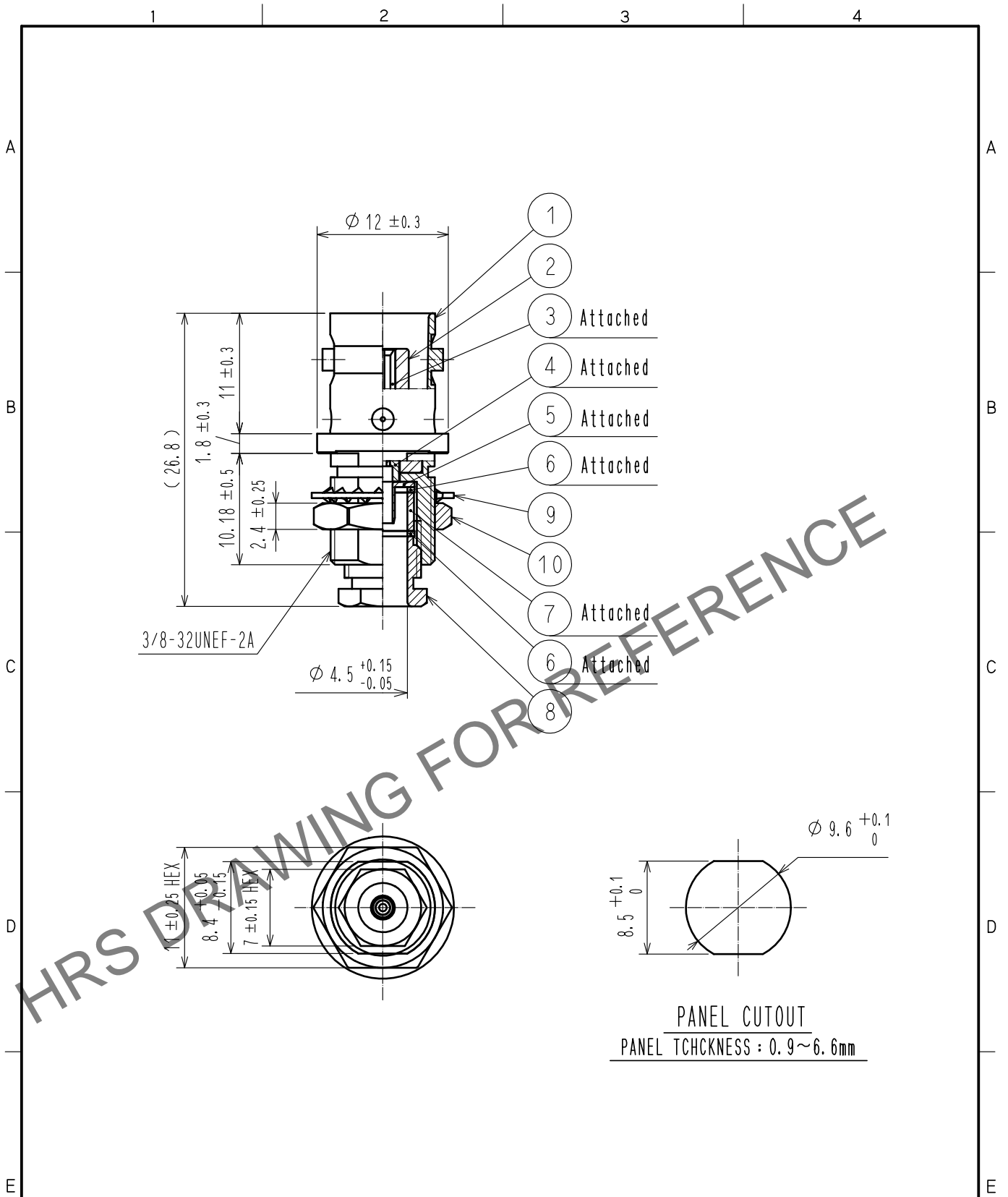


Mar.1.2025 Copyright 2025 HIROSE ELECTRIC CO., LTD. All Rights Reserved.  
 In case of consideration for using Automotive equipment / device which demand high reliability, kindly contact our sales window correspondents.



PANEL CUTOUT  
 PANEL THICKNESS : 0.9~6.6mm

5	BRASS	NICKEL PLATING	10	BRASS	NICKEL PLATING
4	PTFE		9	STEEL	NICKEL PLATING
3	BERYLLIUM COPPER	SILVER PLATING	8	BRASS	NICKEL PLATING
2	PTFE		7	SILICONE RUBBER	
1	BRASS	NICKEL PLATING	6	BRASS	NICKEL PLATING
NO.	MATERIAL	FINISH . REMARKS	NO.	MATERIAL	FINISH . REMARKS

UNITS mm	SCALE 2 : 1	COUNT	DESCRIPTION OF REVISIONS	DESIGNED	CHECKED	DATE
HIROSE ELECTRIC CO., LTD.	APPROVED	·NK. NINOMIYA	20211102	DRAWING NO. EDC-027742-40-00		
	CHECKED	·NK. NINOMIYA	20211102	PART NO. BNC-BPJ-1.5W(40)		
	DESIGNED	·MT. KANEKO	20211102	CODE NO. CL0302-0284-7-40		
	DRAWN	·NK. OOSHIMA	20211102	1/1		