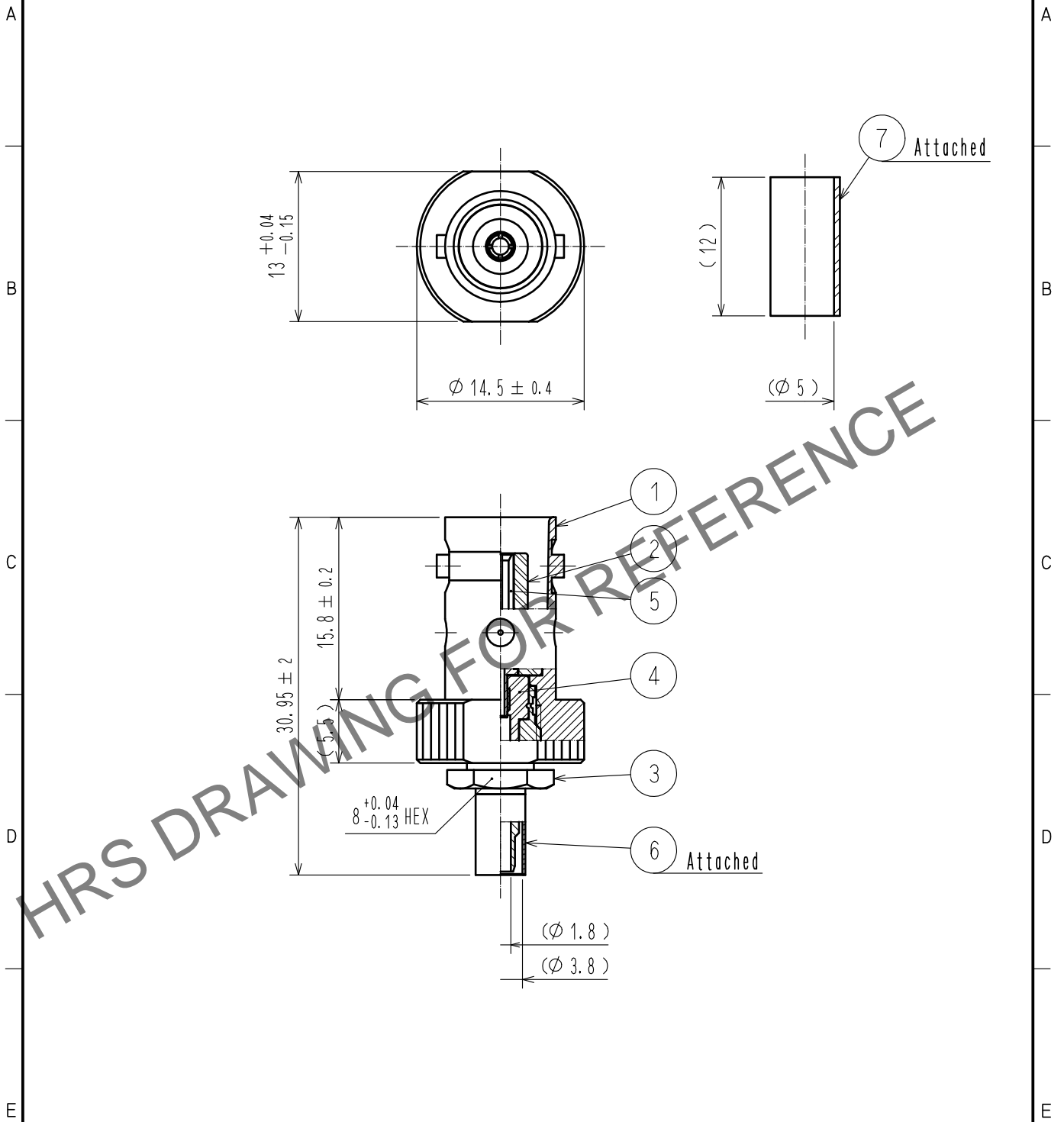


Mar.1.2025 Copyright 2025 HIROSE ELECTRIC CO., LTD. All Rights Reserved.
 In case of consideration for using Automotive equipment / device which demand high reliability, kindly contact our sales window correspondents.

[ASSEMBLY TOOL] APPLICABLE OUTER CONDUCTOR CRIMPING TOOL : HT303/UM.MSS-T-1 (1.5 HOLE)



4	PTFE			7	POLYOLEFIN	HEAT SHRINK TUBING (BLACK)	
3	BRASS	NICKEL PLATING		6	COPPER	NICKEL PLATING	
2	PTFE			5	BERYLLIUM COPPER	GOLD PLATING	
1	BRASS	NICKEL PLATING					
NO.	MATERIAL	FINISH	REMARKS	NO.	MATERIAL	FINISH	REMARKS

UNITS mm		SCALE 2 : 1	COUNT 	DESCRIPTION OF REVISIONS	DESIGNED	CHECKED	DATE
HIROSE ELECTRIC CO., LTD.				APPROVED : NK. NINOMIYA 20211108 CHECKED : NK. NINOMIYA 20211108 DESIGNED : MT. KANEKO 20211105 DRAWN : YK. MITSUISHI 20211105	DRAWING NO. EDC-040337-41-00 PART NO. BNC-J-1.5CR(41) CODE NO. CL0302-0296-6-41	1/1	