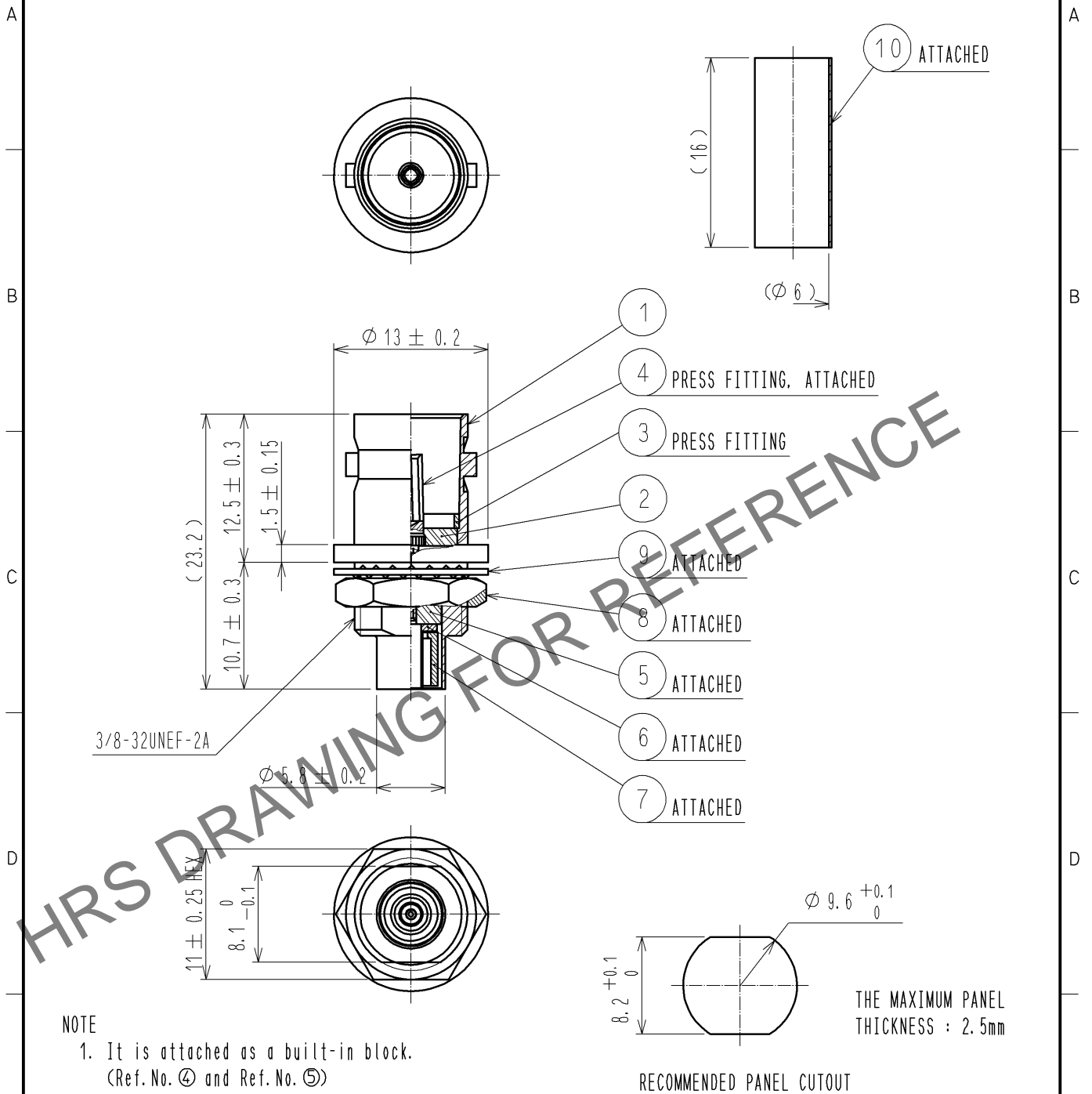


Mar.1.2025 Copyright 2025 HIROSE ELECTRIC CO., LTD. All Rights Reserved.
In case of consideration for using Automotive equipment / device which demand high reliability, kindly contact our sales window correspondents.

CABLE ASSEMBLY TOOL
OUTER CONDUCTOR : UM.MSS-T-1(2.5 hole)



NOTE
1. It is attached as a built-in block.
(Ref. No. ④ and Ref. No. ⑤)

RoHS COMPLIANT

NO.	MATERIAL	FINISH	REMARKS	NO.	MATERIAL	FINISH	REMARKS
5	PTFE			10	HEAT SHRINK TUBING		POLYOLEFIN
4	BERYLLIUM COPPER	GOLD PLATING		9	STEEL		NICKEL PLATING
3	BRASS	NICKEL PLATING		8	BRASS		NICKEL PLATING
2	PTFE			7	BRASS		NICKEL PLATING
1	BRASS	NICKEL PLATING		6	BRASS		NICKEL PLATING

UNITS mm	SCALE 2 : 1	COUNT	DESCRIPTION OF REVISIONS	DESIGNED	CHECKED	DATE

HIROSE ELECTRIC CO., LTD.	APPROVED : MH. YAMANE	14. 02. 03	DRAWING NO.	EDC4-133335-40	
	CHECKED : TY. OZAKI	14. 02. 03	PART NO.	BNC(75)-BPJ-1.5CV-2(40)	
	DESIGNED : YI. FUNADA	14. 01. 29	CODE NO.	CL302-0380-0-40	1/1
	DRAWN : YI. FUNADA	14. 01. 29			