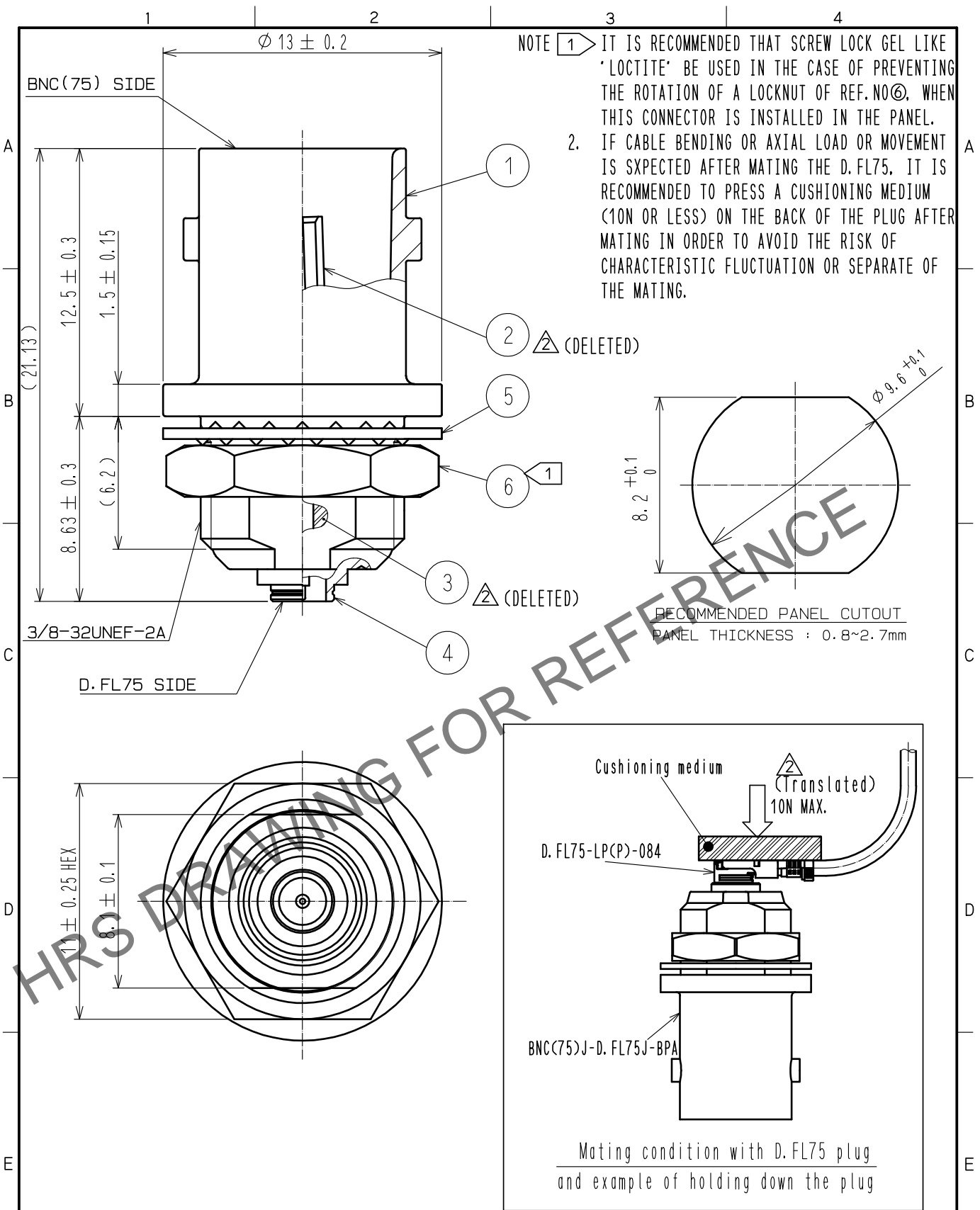


Mar.1.2025 Copyright 2025 HIROSE ELECTRIC CO., LTD. All Rights Reserved.
In case of consideration for using Automotive equipment / device which demand high reliability, kindly contact our sales window correspondents.



3	PTFE		6	BRASS	NICKEL PLATING		
2	△ PHOSPHOR BRONZE	GOLD PLATING	5	STEEL	NICKEL PLATING		
1	ZINC ALLOY	NICKEL PLATING	4	BRASS	NICKEL PLATING		
NO.	MATERIAL	FINISH . REMARKS	NO.	MATERIAL	FINISH . REMARKS		
UNITS mm		SCALE 4 : 1	COUNT △ 4	DESCRIPTION OF REVISIONS DIS-D-00010796	DESIGNED YK. KIUCHI	CHECKED MT. KANEKO	DATE 20220221
HRS HIROSE ELECTRIC CO., LTD.		APPROVED : NK. NINOMIYA 20190215	DRAWING NO. EDC-375334-00-00				
		CHECKED : NK. NINOMIYA 20190215	PART NO. BNC(75)J-D. FL75J-BPA				
		DESIGNED : MT. KANEKO 20190215	CODE NO. CL0311-0015-0-00		△ 1/1		
		DRAWN : YK. KIUCHI 20190215					