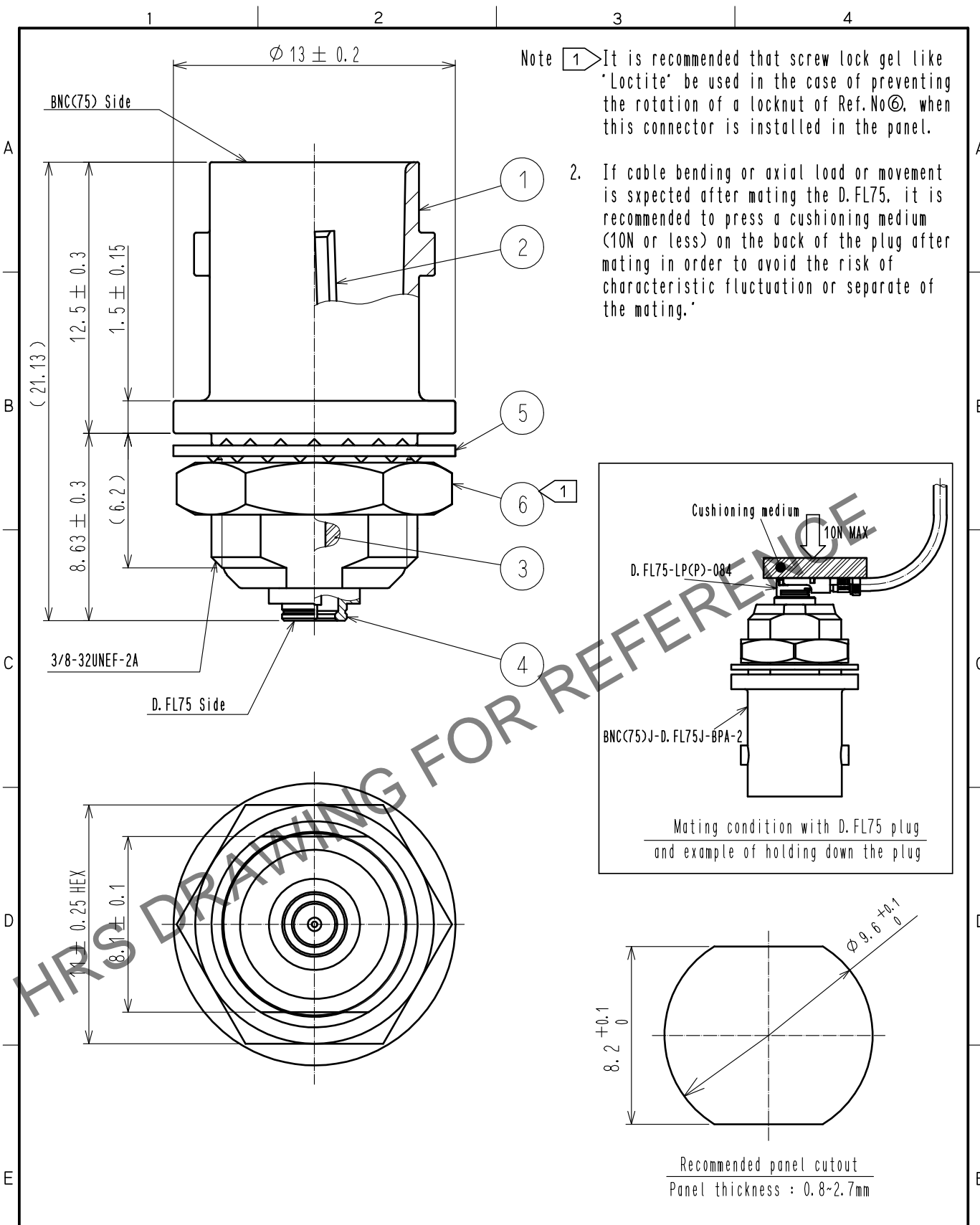


Mar.1.2025 Copyright 2025 HIROSE ELECTRIC CO., LTD. All Rights Reserved.  
In case of consideration for using Automotive equipment / device which demand high reliability, kindly contact our sales window correspondents.



Note ① It is recommended that screw lock gel like 'Loctite' be used in the case of preventing the rotation of a locknut of Ref.No⑥, when this connector is installed in the panel.

2. If cable bending or axial load or movement is expected after mating the D.FL75, it is recommended to press a cushioning medium (10N or less) on the back of the plug after mating in order to avoid the risk of characteristic fluctuation or separate of the mating.'

HRS DRAWING FOR REFERENCE

3	PTFE		6	Brass	Nickel plating
2	Phosphor bronze	Gold plating	5	Copper	Nickel plating
1	Zinc alloy	Nickel plating	4	Brass	Nickel plating
NO.	MATERIAL	FINISH . REMARKS	NO.	MATERIAL	FINISH . REMARKS

UNITS mm		SCALE 4 : 1	COUNT 	DESCRIPTION OF REVISIONS	DESIGNED	CHECKED	DATE	
HIROSE ELECTRIC CO., LTD.		APPROVED :NK. NINOMIYA	20240117	DRAWING NO.	EDC-401043-00-00			
		CHECKED :NK. NINOMIYA	20240117	PART NO.	BNC(75)J-D.FL75J-BPA-2			
		DESIGNED :MK. INOUE	20240117	CODE NO.	CL0311-0039-0-00		1	1
		DRAWN :MK. INOUE	20240117					