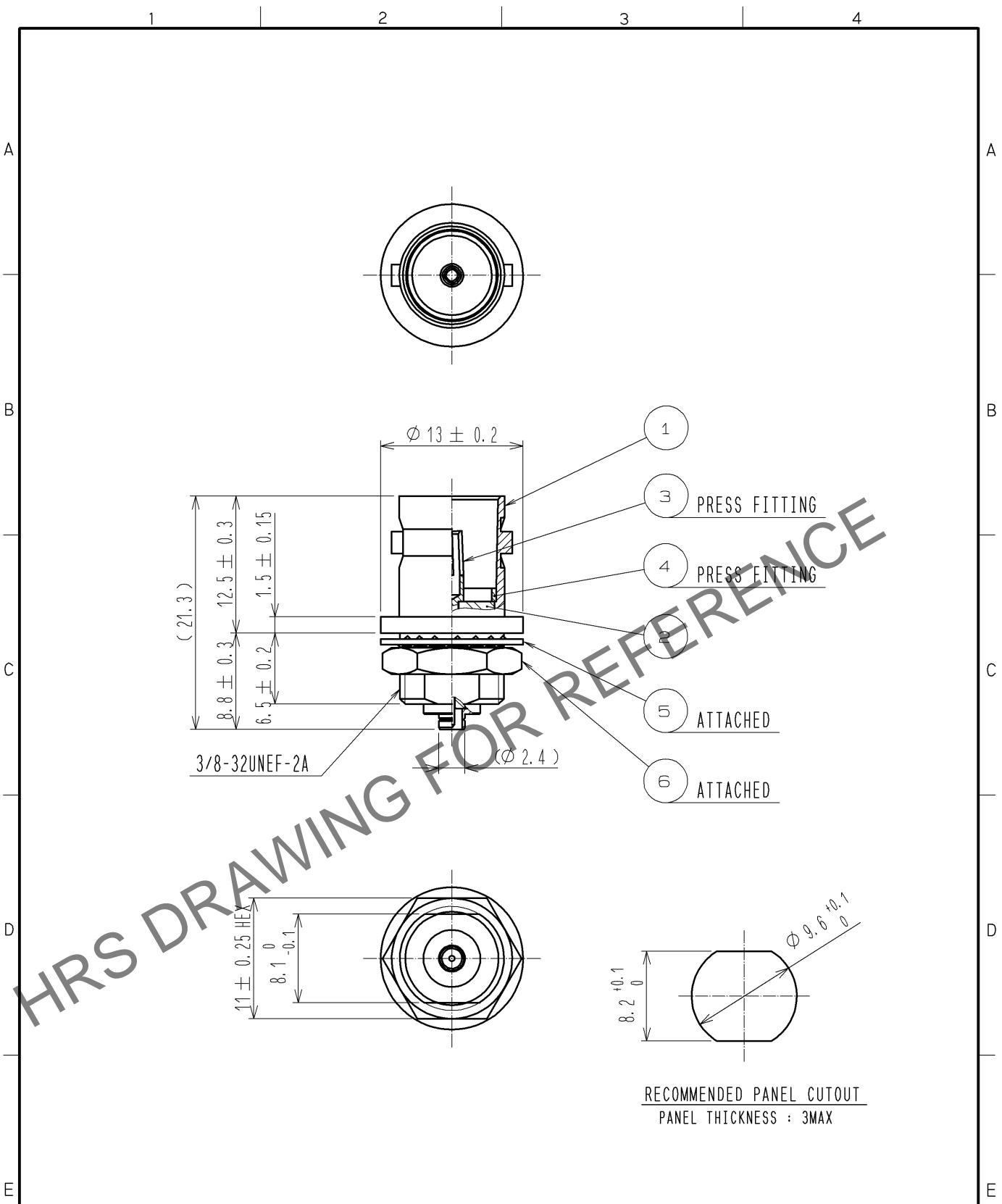


Mar. 1. 2025 Copyright 2025 HIROSE ELECTRIC CO., LTD. All Rights Reserved.
In case of consideration for using Automotive equipment / device which demand high reliability, kindly contact our sales window correspondents.



RoHS COMPLIANT

3	BERYLLIUM COPPER	GOLD PLATING	6	BRASS	NICKEL PLATING
2	PTFE		5	STEEL	NICKEL PLATING
1	BRASS	NICKEL PLATING	4	BRASS	NICKEL PLATING
NO.	MATERIAL	FINISH . REMARKS	NO.	MATERIAL	FINISH . REMARKS

UNITS mm		SCALE 2 : 1	COUNT 	DESCRIPTION OF REVISIONS	DESIGNED	CHECKED	DATE
-------------	--	----------------	-----------	--------------------------	----------	---------	------

HIROSE ELECTRIC CO., LTD.	APPROVED : MH. YAMANE	10. 12. 24	DRAWING NO.	EDC4-132230-40	
	CHECKED : NK. NINOMIYA	10. 12. 22	PART NO.	BNC<75>J-H. FLJ-BPA<40>	
	DESIGNED : MT. KANEKO	10. 12. 22	CODE NO.	CL311-0302-8-40	
	DRAWN : KH. HIKITA	10. 12. 17			1/1