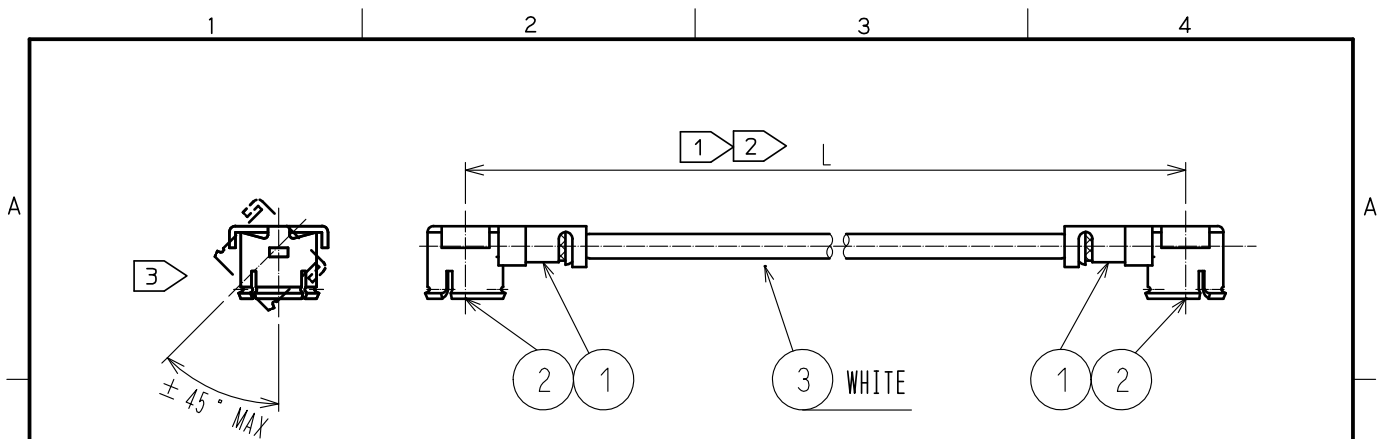


Apr. 1. 2025 Copyright 2025 HIROSE ELECTRIC CO., LTD. All Rights Reserved.
 In case of consideration for using Automotive equipment / device which demand high reliability, kindly contact our sales window correspondents.



NOTE ① We indicate the length of the harness on the last of product name, 'L' part.

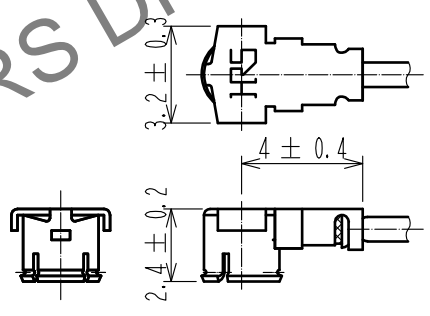
② Tolerance for [L]

Length L [mm]	Tolerance [mm]
$35 \leq L \leq 200$	± 4
$200 < L \leq 500$	± 8
$500 < L \leq 1000$	± 12
$1000 < L$	$\pm 1.5\%$

③ Connector rotation angle is within ± 45 degree from the above image.
 For long length in the case of $L > 500$, the angle is optional.

4. Specifications are subject to change without notice.

[DIMENSIONS OF CONNECTOR]



For stable supply of this series, material supplier of piece part#1 will be changed during 2019-2022. Please note this change in advance. There will be no difference in product performance and quality.

2	E. FL CONTACT	CL331-0411-8-11		
1	E. FL-LP-040(01)	CL331-0401-4-01	3	0.81Dia. coaxial cable
NO.	PART NO.	CODE NO.	NO.	PART NO.
UNITS mm		SCALE FREE	COUNT 1	DESCRIPTION OF REVISIONS DIS-D-00004640
DESIGNED MK. INOUE		CHECKED NK. NINOMIYA		DATE 20200108
APPROVED : NK. NINOMIYA 20180608		DRAWING NO.		E. FL-2LP-04-A-L ①
CHECKED : MT. KANEKO 20180608		PART NO.		
DESIGNED : MS. MATSUMOTO 20180608		CODE NO.		
DRAWN : MS. MATSUMOTO 20180608		NO.		