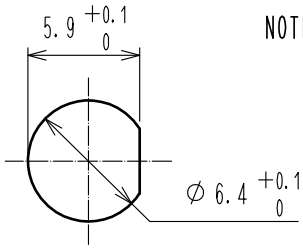
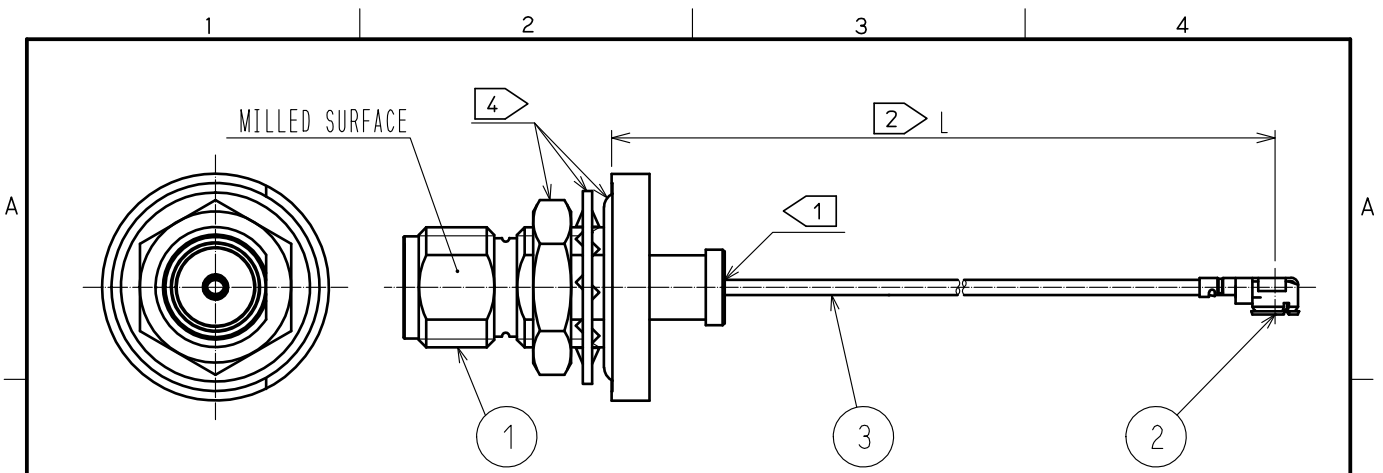


Feb.1.2025 Copyright 2025 HIROSE ELECTRIC CO., LTD. All Rights Reserved.  
 In case of consideration for using Automotive equipment / device which demand high reliability, kindly contact our sales window correspondents.



PANEL CUT OUT(REFERENSE)  
 PANEL THICKNESS:0.7~2.2mm

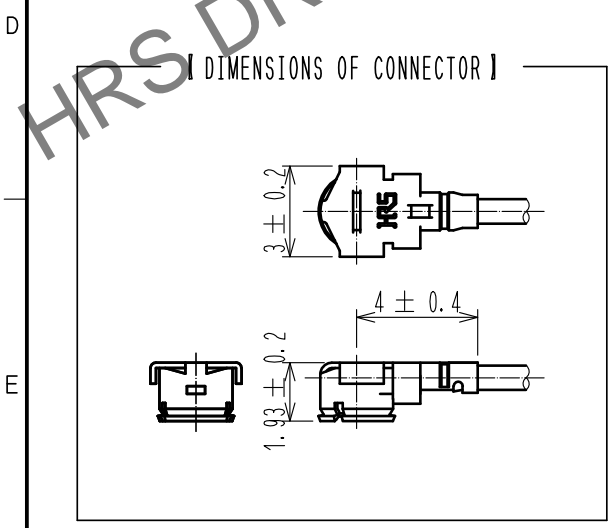
- NOTE
- ① Do not apply any excessive stress to the cable assembly position.
  - ② We indicate the length of the harness on the last of product name. 'L' part.

Tolerance for [ L ]

Length L [mm]	Tolerance [mm]
50 ≤ L ≤ 200	±4
200 < L ≤ 500	±8
500 < L ≤ 1000	±12
1000 < L	±1.5%

Part No.	Cable color
~04N1TV~	WHITE
~04N2TV~	BLACK

- 3. Connector rotation angle is within ±45 degree from the above image. For long length in the case of L>500, the angle is optional.
- ④ Lock nut, tooth washer and o-ring are attached separately in other package.
- 5. Specifications are subject to change without notice.



[ PRECAUTIONS FOR HANDLING ]

- ◆ Connector insertion and extraction
  - a. Connector shall be extracted vertically by specialised extraction JIG. Part No. :U.FL-LP-N-2<CL Code:CL331-0494-5> Never hold the cable when extracting the cable because it damages the connector.
  - b. Insert the connector as perpendicularly to the mating surface as possible by aligning the mating axes of both connectors. Do not excessively slant the connectors when inserting.
- ◆ Allowable loads on the cable after the connectors are mated. The figures below shot the maximum allowable loads on the cable. Do not apply loads exceeding these values to the cable.

2	U.FL-LP-040HF	CL331-0557-3-00			
1	HRM-200-040WBPJBN	CL323-0945-8-00	3	F-MF103CN	NISSEI ELECTRIC CO.,LTD.
N o.	PART NO.	CODE NO.	N o.	PART NO.	MANUFACTURER
UNITS mm		SCALE FREE	COUNT	DESCRIPTION OF REVISIONS	DESIGNED
					CHECKED
					DATE
HIROSE ELECTRIC CO.,LTD.	APPROVED	•TO. KATAYAMA	20200928	DRAWING NO.	HWBPJ-UFLHF6-04N*TV-AL
	CHECKED	•TO. KATAYAMA	20200928	PART NO.	
	DESIGNED	•MK. INOUE	20200928	CODE NO.	
	DRAWN	•MK. INOUE	20200928		
					1/1