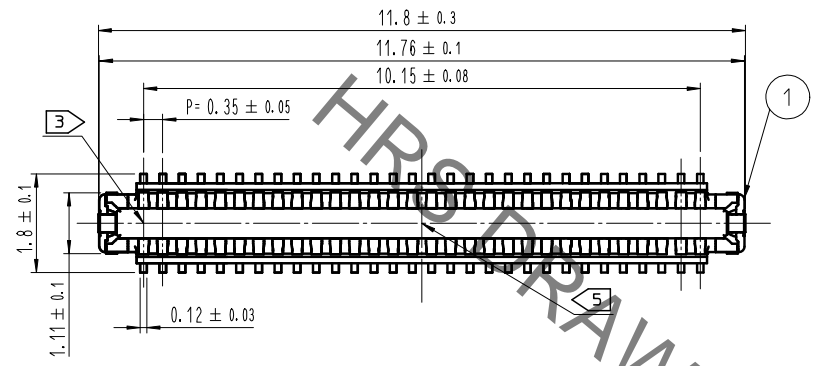
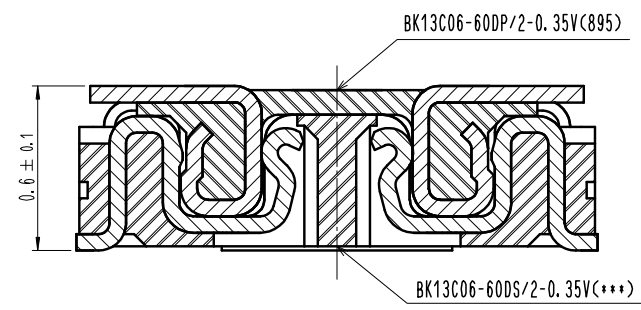


Sep.1.2021 Copyright 2021 HIROSE ELECTRIC CO., LTD. All Rights Reserved.
 use of consideration for using Automotive equipment / device which demand high reliability, kindly contact our sales window correspond

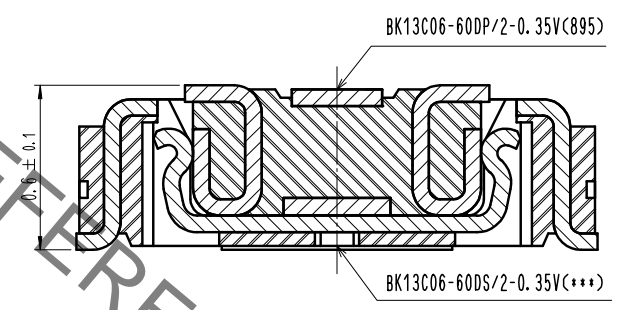
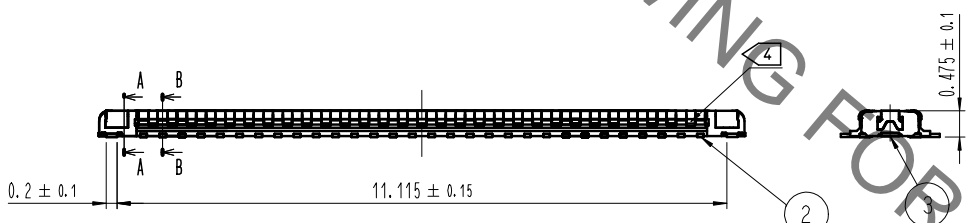
| COUNT | DESCRIPTION OF REVISIONS | B | Y | CHKD | DATE | COUNT | DESCRIPTION OF REVISIONS | B | Y | CHKD | DATE |
|-------|--------------------------|---|---|------|------|-------|--------------------------|---|---|------|------|
| △ | | | | | | △ | | | | | |
| △ | | | | | | △ | | | | | |
| △ | | | | | | △ | | | | | |



ENGAGEMENT FIGURE (50:1)



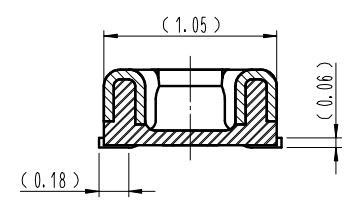
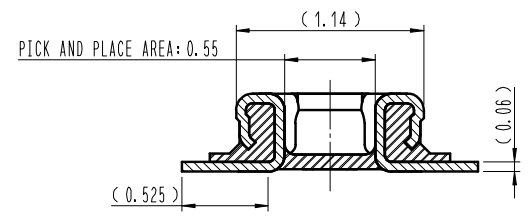
SIGNAL CONTACT



POWER CONTACT

B-B (30:1)

A-A (30:1)

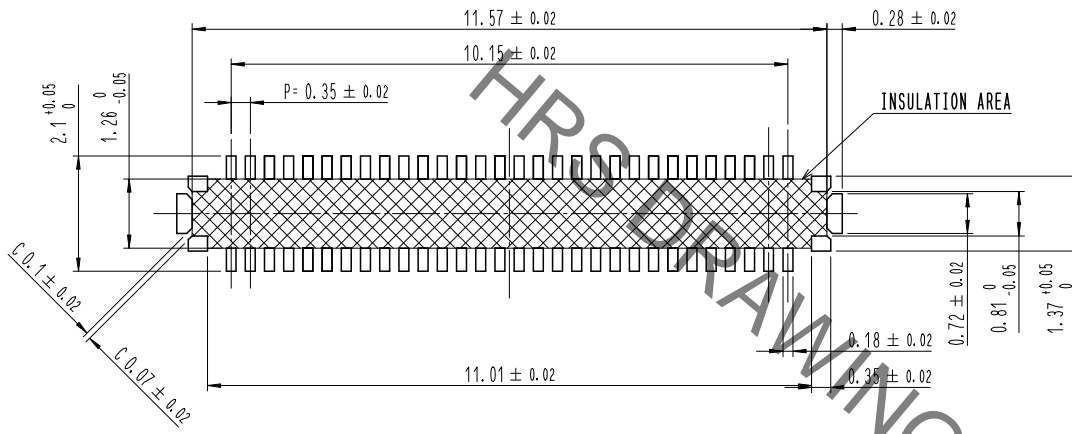


- NOTE
- 1. ALL LEAD CO-PLANARITY SHALL BE 0.08mm MAX.
 - 2. CONTACT PLATING SPECIFICATIONS
 CONTACT AREA : GOLD 0.05 μm MIN
 SMT LEAD : GOLD 0.05 μm MIN
 UNDERPLATING : NICKEL 1 μm MIN
 (SURFACE : SEALING)
 - 3. CAV NO. ARE INDICATED IN APPROX POSITION SHOWN.
 - 4. A PART OF THE WALL COULD BE NOTCHED
 - 5. DENT EXISTS IN THE INDICATED AREA FOR MANUFACTURING CONVENIENCE.

| 4 | PS | CLEAR (EMBOSSED CARRIER TAPE) | | | | | | | | |
|----------------|----------------------------|-------------------------------|------------------------------------|----------|-----------------|-----------------------------|----------------------|----------|----------|----------|
| 3 | COPPER ALLOY | 2 | | | 6 | PS | BLACK (PLASTIC REEL) | | | |
| 2 | COPPER ALLOY | 2 | | | 5 | POLYESTER | CLEAR (COVER TAPE) | | | |
| 1 | LCP | UL94 V-0, BLACK | | | | | | | | |
| NO. | MATERIAL | FINISH, REMARKS | NO. | MATERIAL | FINISH, REMARKS | | | | | |
| REMARKS | | | | | | DRAWN | DESIGNED | CHECKED | APPROVED | RELEASED |
| | | | | | | J. M. YEOM | J. M. YEOM | H. W. JO | H. W. JO | 20.09.18 |
| | | | | | | 20.09.18 | 20.09.18 | 20.09.18 | 20.09.18 | 20.09.18 |
| CODE NO. (OLD) | DRAWING NO. EDC3-632998-95 | | PART NO. BK13C06-60DP/2-0.35V(895) | | | | | | | |
| SCALE 10:1 | UNITS | | HRS HIROSE KOREA CO., LTD. | | | CODE NO. CL 6665-0031-9-895 | | 1/3 | | |

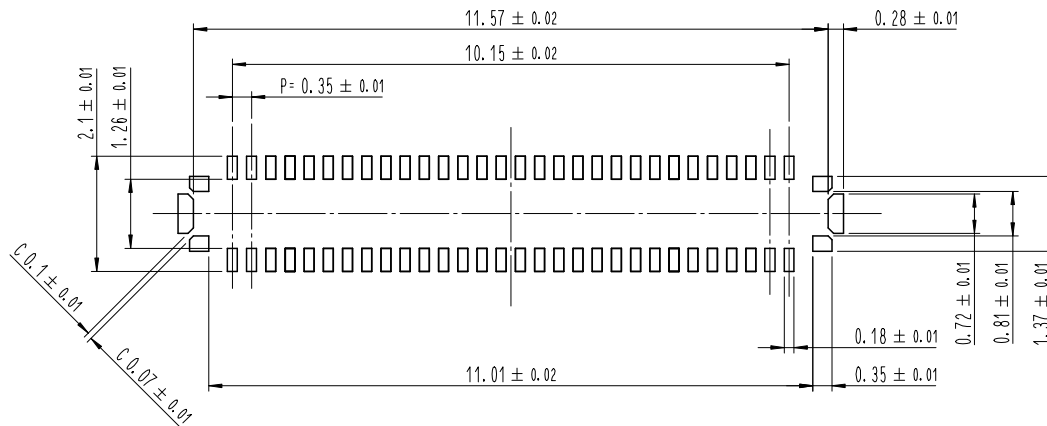
Sep.1.2021 Copyright 2021 HIROSE ELECTRIC CO., LTD. All Rights Reserved.
 use of consideration for using Automotive equipment / device which demand high reliability, kindly contact our sales window correspond

7 **RECOMMENDED PCB LAYOUT**

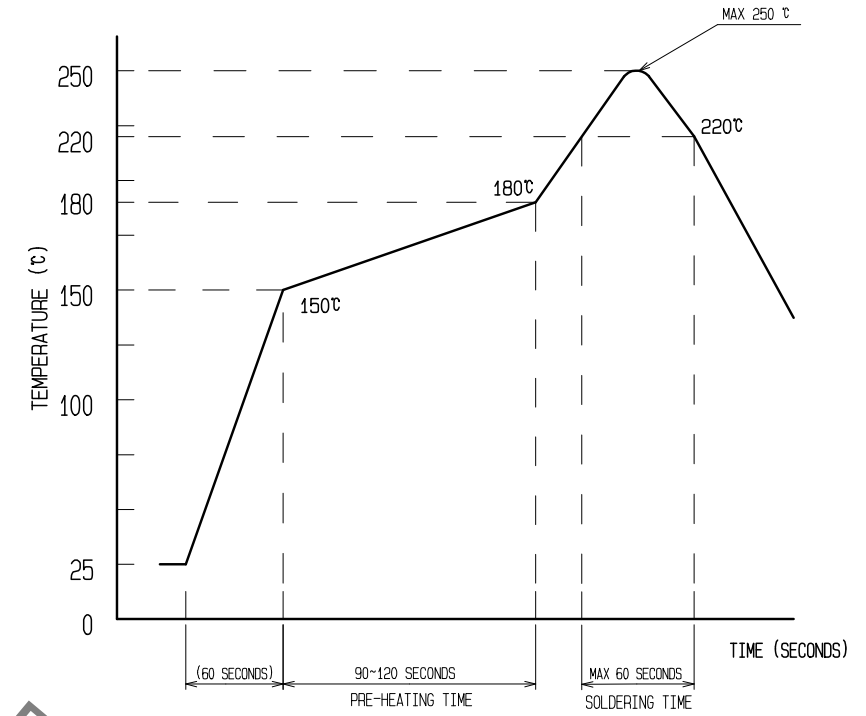


7 **RECOMMENDED METAL MASK DIMENSIONS**

METAL MASK THICKNESS : 80 μm



6 **RECOMMENDED REFLOW TEMPERATURE PROFILE USING LEAD-FREE SOLDER PASTE.**



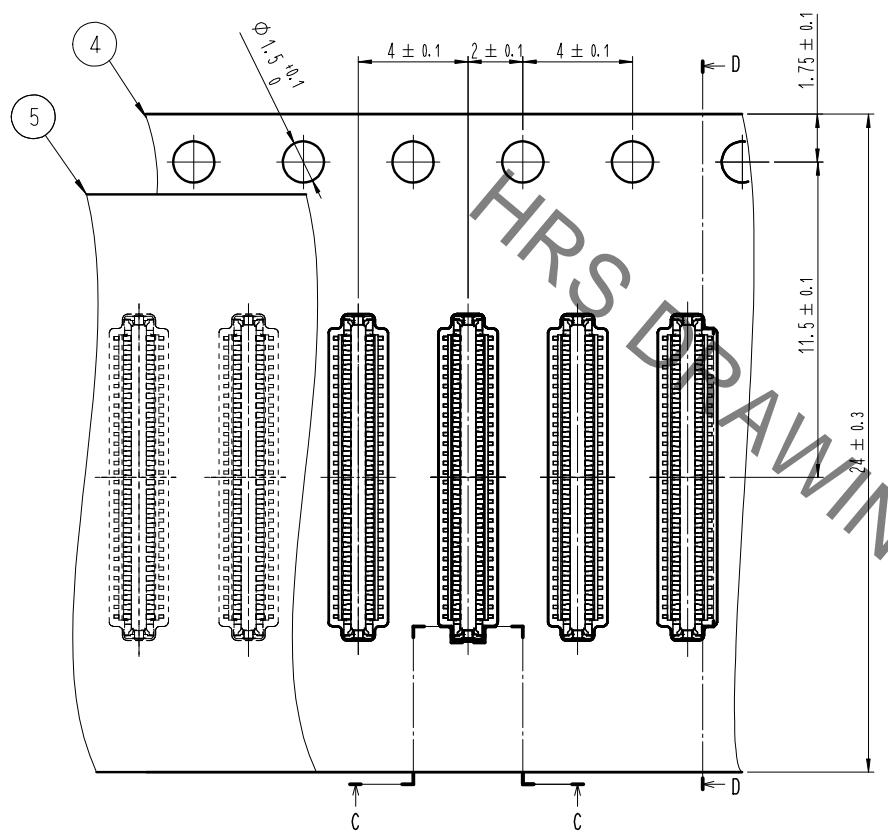
- REFLOW METHOD : N₂ REFLOW
 NUMBER OF REFLOW CYCLES : 2 CYCLES MAX.
 1) REFLOW TIME
 DURATION ABOVE 220°C, 60 SEC MAX.
 (PEAK TEMPERATURE : 250°C MAX)
 2) PRE-HEAT TIME
 PRE-HEAT TEMPERATURE(MIN): 150°C
 PRE-HEAT TEMPERATURE(MAX): 180°C
 PRE-HEAT TIME: 90-120 SEC.

- 6 THIS TEMPERATURE PROFILE IS PER THE CONDITIONS SHOWN ABOVE. ADDITIONAL FACTORS SUCH AS SOLDER PASTE TYPE, PCB SIZE AND OTHER MOUNTED COMPONENTS COULD AFFECT THE PROFILE. THEREFORE, A THOROUGH EVALUATION OF MOUNTING CONDITION IS REQUIRED PRIOR TO PRODUCTION. TEMPERATURE IS MEASURED AT CONTACT LEAD.
 7 PLEASE CONTACT US IN CASE YOU WILL MAKE DIFFERENT SETTINGS FROM OUR RECOMMENDATION.
 8 THIS PRODUCT SATISFIES HALOGEN FREE REQUIREMENTS DEFINED AS 900ppm MAXIMUM CHLORINE, 900ppm MAXIMUM BROMINE, AND 1500ppm MAXIMUM TOTAL OF CHLORINE AND BROMINE.
 9 THIS PRODUCT COMPLY WITH RoHS.

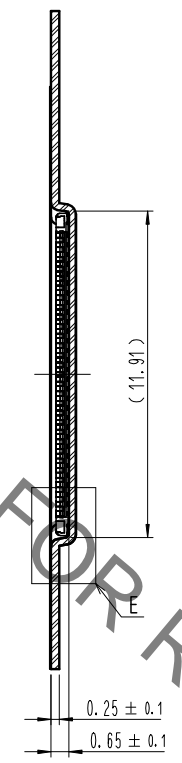
| | | | | |
|-------|------------------------|----------------|----------|---------------------------|
| | DRAWING NO. | EDC3-632998-95 | PART NO. | BK13C06-60DP/2-0.35V(895) |
| | SCALE | 10:1 | CODE NO | CL 6665-0031-9-895 |
| UNITS | HIROSE KOREA CO., LTD. | | | 2/3 |

Sep.1.2021 Copyright 2021 HIROSE ELECTRIC CO., LTD. All Rights Reserved.
 use of consideration for using Automotive equipment / device which demand high reliability, kindly contact our sales window correspond

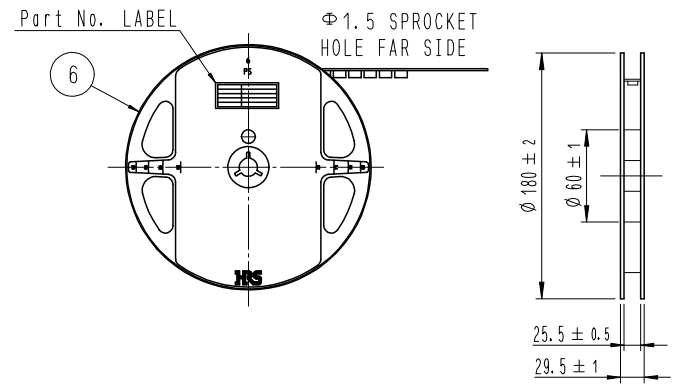
EMBOSSED CARRIER TAPE PACKAGING (5:1)



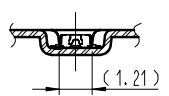
D-D (5:1)



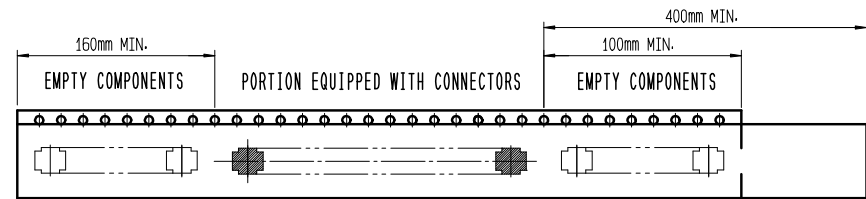
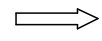
STYLE AND DIMENSION OF REEL (FREE)



C-C (5:1)



DIRECTION OF UNREELING

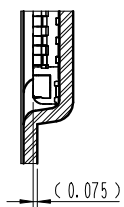


TAPING(FREE)

DETAIL OF PART No. LABEL

| | |
|----------------------|---------------------------|
| SUPPLIER | HIROSE |
| QUANTITY | 1,000 |
| PART NO. | BK13C06-60DP/2-0.35V(895) |
| CODE NO. | CL 6665-0031-9-895 |
| DATE OF MANUFACTURED | 年 月 日 |
| 生産月日 | 年 月 日 |
| 図番 | ** ** * |
| 品名 | BK13C06-60DP/2-0.35V(895) |
| 納入数量 | 1,000個 |
| 納入者 | HIROSE KOREA |

E (10:1)



- 10 . PER REEL 1,000 CONNECTORS.
- 11 . THE DIMENSIONS IN PARENTHESES ARE FOR REFERENCE.
- 12 > REFER TO JIS C 0806, IEC-60286-3 (PACKAGING OF COMPONENTS FOR AUTOMATIC HANDLING)

| | | |
|-------------------------|----------------------------|------------------------------------|
| SCALE 10:1 UNITS | DRAWING NO. EDC3-632998-95 | PART NO. BK13C06-60DP/2-0.35V(895) |
| | HIROSE KOREA CO., LTD. | CODE NO. CL 6665-0031-9-895 |