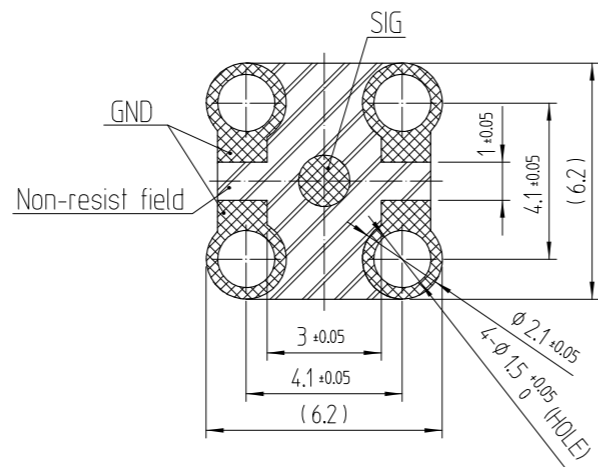
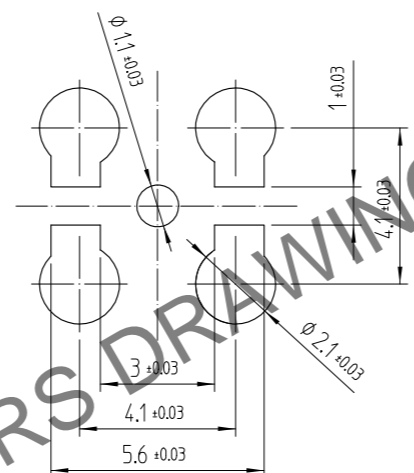


Mar.1.2025 Copyright 2025 HIROSE ELECTRIC CO., LTD. All Rights Reserved.
In case of consideration for using Automotive equipment / device which demand high reliability, kindly contact our sales window correspondents.

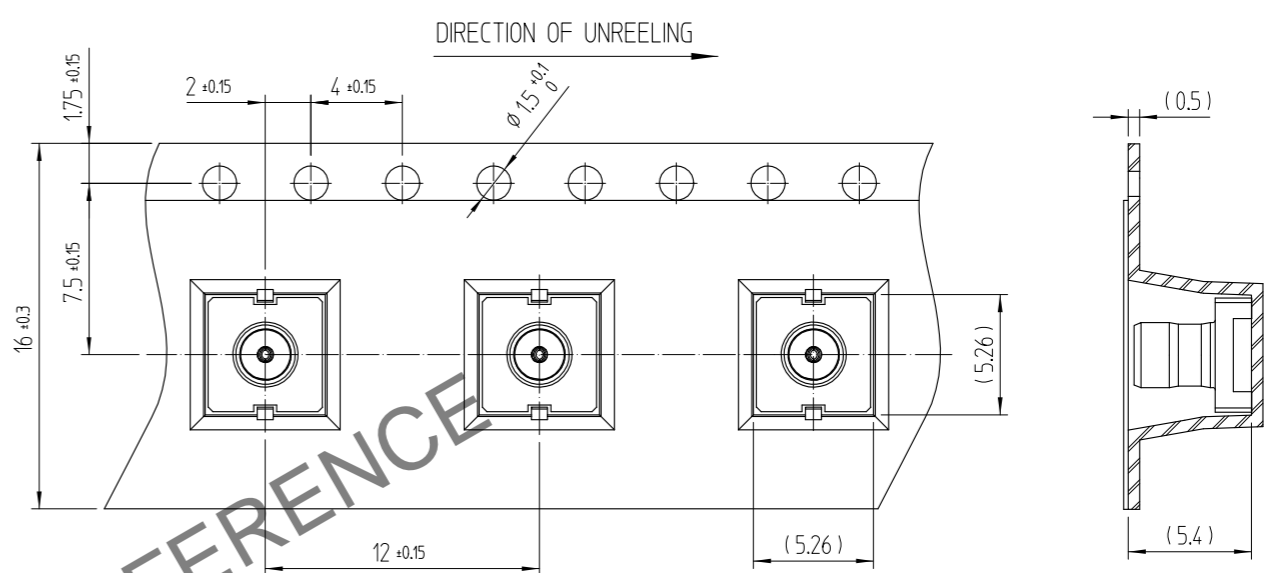
RECOMMENDED PC BOARD PATTERN DRAWING(5:1)



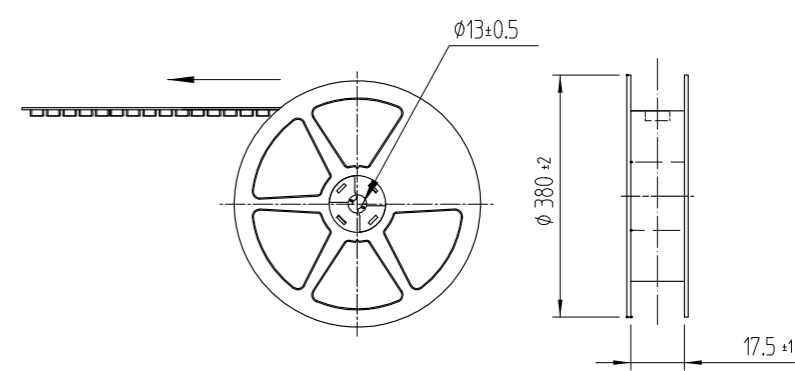
RECOMMENDED METAL MASK DRAWING(5:1)
[METAL MASK THICKNESS: t = 0.1]



EMBOSSED TAPING DRAWING(3:1)

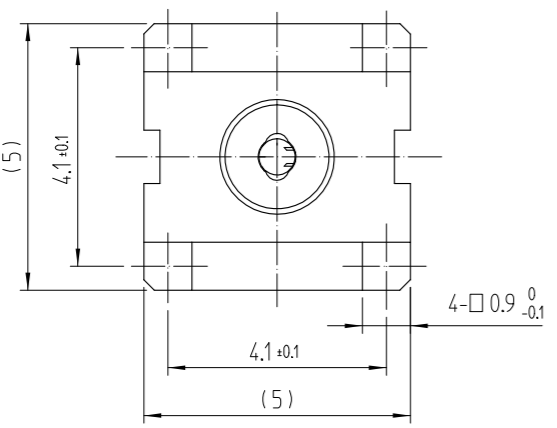
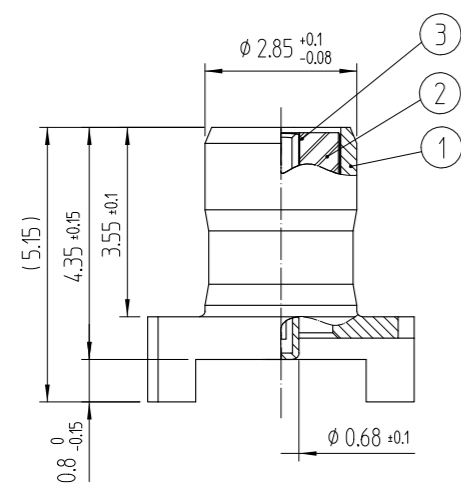


REEL DRAWING(SCALE : FREE)



MATERIAL: PS(WHITE)

△數 COUNT	訂正事項 DESCRIPTION OF REVISIONS	擔當 B	檢圖 CHKD	年月日 DATE	△數 COUNT	訂正事項 DESCRIPTION OF REVISIONS	擔當 B	檢圖 CHKD	年月日 DATE
△				..	△				..
△				..	△				..
△				..	△				..



NOTES:

- 1 : THE QUANTITY OF POK16-R-PC IS 1,000 CONNECTORS PER REEL.
- 2 : LEAD CO-PLANARITY SHALL BE 0.1MAX.
- 3 : FOR THE POSSIBILITY OF BREAKAGE OR DEFORMATION.
DO NOT MATE THES CONNECTOR WITH PARTNER, POK16-PR-PC BEFORE MOUNTING ON PC BOARD.
- 4 : USE ALL PRODUCTS WITHIN 6 MONTHS AFTER THE DELIVERY.
STORE THEM IN MANUFACTURER'S PACKAGE OR TIGHTLY RE-CLOSED BOX WITH THE FOLLOWING CONDITIONS, CHECK THE TERMINAL SOLDERABILITY BEFORE USE IF THE PRODUCT HAS BEEN STORED FOR MORE THAN 6 MONTHS.

TEPERATURE : -10°C TO +50°C
HUMIDITY : 15 TO 85% RH.

3	TITANIUM COPPER	GOLD PLATING			
1	COPPER	GOLD PLATING	2	LCP	(COLOR : BLACK)
NO.	MATERIAL	FINISH,REMARKS	NO.	MATERIAL	FINISH,REMARKS
CODE NO. (OLD)			DRAWN	DESIGNED	CHECKED
			H.G.PARK 20.05.26	H.G.PARK 20.05.26	D.G.KIM 20.05.26
				H.S.KIM 20.05.26	RELEASED
DRAWING NO.		PART NO.			
EDC3-633113		POK16-R-PC(800)			
SCALE 7:1		CODE NO			
UNITS mm		CL 6341-0016-0-800		1/1	